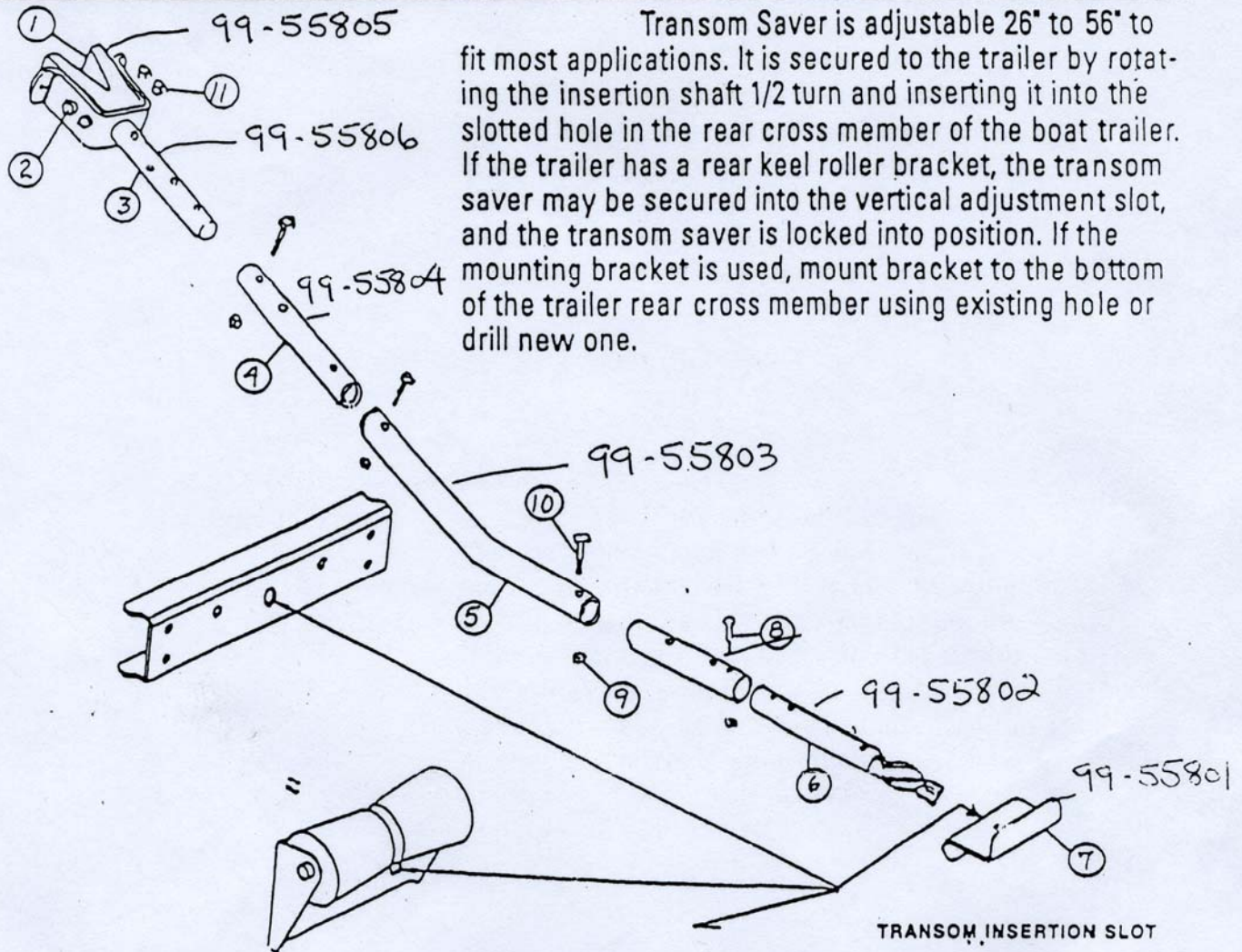


Transom Saver



Transom Saver is adjustable 26" to 56" to fit most applications. It is secured to the trailer by rotating the insertion shaft 1/2 turn and inserting it into the slotted hole in the rear cross member of the boat trailer. If the trailer has a rear keel roller bracket, the transom saver may be secured into the vertical adjustment slot, and the transom saver is locked into position. If the mounting bracket is used, mount bracket to the bottom of the trailer rear cross member using existing hole or drill new one.

Parts Pack Consist of:

Ref. #	Description	Qty.
1	99-55805 Rubber V-Block	1
2	1/4" x 2 3/4" Hex Bolt	2
3	99-55806 V-Block Shaft	1
4	99-55804 Adjustable Tube	2
5	99-55803 Center Tube	1
6	99-55802 Insertion Shaft	1
7	99-55801 Mounting Bracket	1
8	5/16" x 1 1/2" Hex Bolt	2
9	5/16" Hex Lock Nut	4
10	5/16" x 1 3/4" Hex Bolt	2
11	1/4" Hex Lock Nut	2
	10" Rubber Bungee	1