

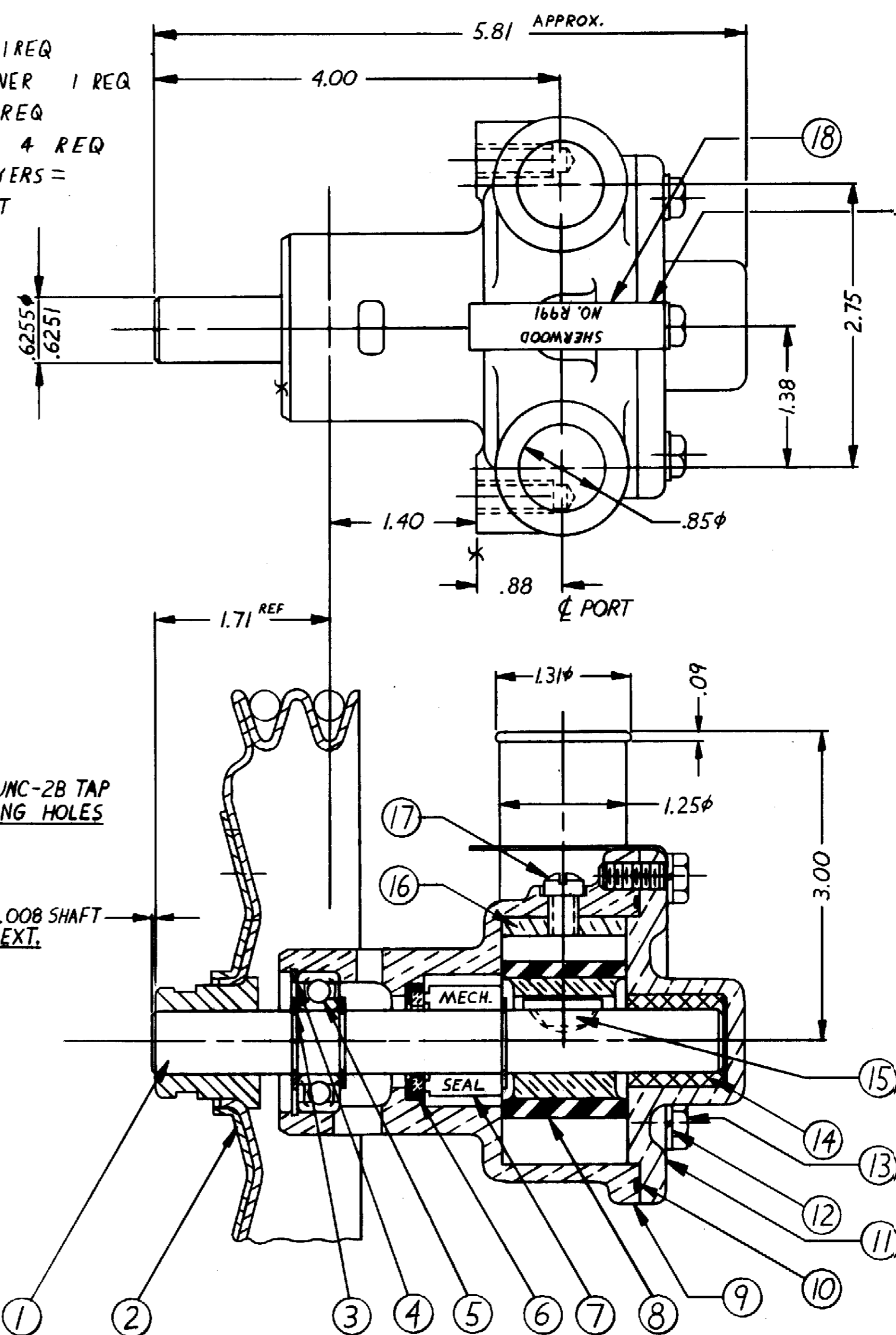
PARTS LIST

ITEM	PART NO.	DESCRIPTION	QTY.
1	18464	SHAFT	1
2	18446	PULLEY	1
3	4258	EXT. RET. RING	3
4	4259	INT. RET. RING	1
5	4257	BALL BEARING	1
6	10926	SEAL SEAT	1
7	18743	MECH. SEAL	1
8	9959	IMPELLER	1
9	18127	HOUSING	1
10	12231	O-RING	1
11	18428	COVER	1
12	12710	LOCKWASHER	3
13	18266	CAPSCREW 1/4-20 x 3/4	3
14	6333	BUSHING	1
15	12841	NO. 9 NON-ROK	1
16	15883	CAM	1
17	10515	CAM SCREW	1
18	13285	TAG	1
19	18744	SEAL & SEAT ASS'Y	ITEM 647
20	18465	COVER ASS'Y	ITEM 11814
1, 3, 4, 8, 9, 10, 12, 16, 19	18655	MAJOR REPAIR KIT	SERVICE
8, 10	18656	MINOR REPAIR KIT	SERVICE

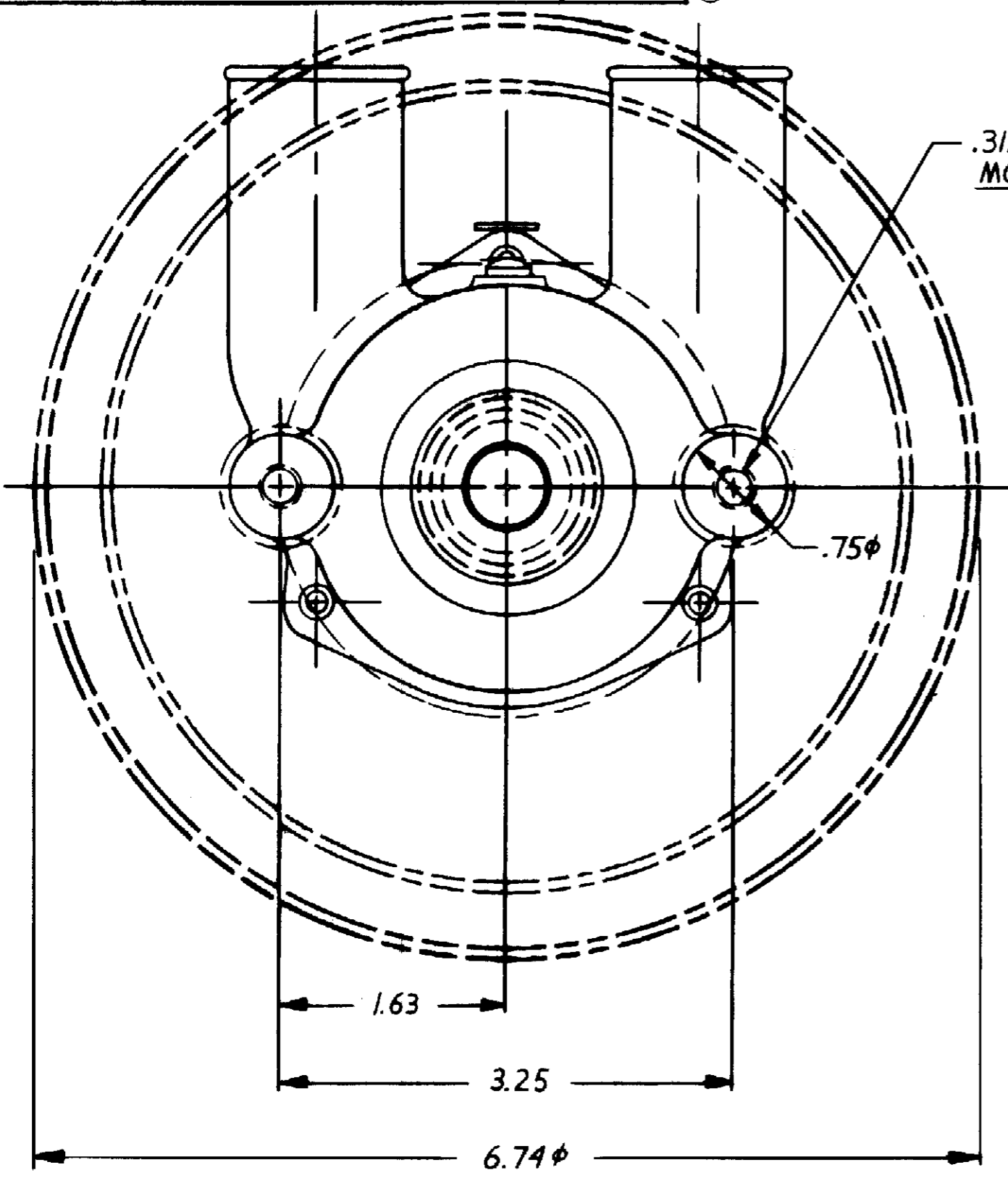
PACKAGING
 NO 11516 PALLET 1 REQ
 14120 TUBE CONTAINER 1 REQ
 14122 PAD 6 REQ
 18026 INSERTS 4 REQ
 16 PUMPS/LAYER x 4 LAYERS =
 64 PUMPS/PALLET

UNIT PACKAGING
 17631 CARTON 0 1 REQ
 12209 LABEL 1 REQ

Ⓚ
 Ⓝ
 Ⓞ
 Ⓟ



STAMP PART NO. 10100000 ON BACKSIDE OF TAG



⚠ PULLEY NO. 10251300 FURNISHED BY THERMO

REV.	DESCRIPTION	APPR.	DATE
M	N#18656 MINOR REPAIR KIT REVISED	AVB	2/1/89
L	N#18655 MAJOR REPAIR KIT REVISED	AVB	2/20/88
K	N#12841 KEY WAS N#4432	AVB	10/7/88
J	N#18744 SEAL ASS'Y WAS N#10927	AVB	10/7/88
I	N#18743 SEAL WAS N#10523	AVB	10/7/88
H	REDRAWN WITHOUT CHANGE	ML	8/2/88

UNLESS OTHERWISE SPECIFIED
 CAST DIMENSIONS ± .02
 FILLETS & RADII .06
 FINISH STOCK .07
 MACHINING TOLERANCE, INCHES
 XX ± .01, XXX ± .005
 SURFACE ROUGHNESS
 ANGLES ± 0° 30'
 CORNER BREAKS .01 MAX.
 PARALLISM .001
 FLATNESS .001
 SQUARENESS .001
 CONCENTRICITY .001
 ROUNDNESS .0002
 RUNOUT .001

SHERWOOD
 A DIVISION OF HYPRO CORPORATION
 6331 E. JEFFERSON AVE. - DETROIT, MICHIGAN 48207

DRAFTSMAN: ST DATE: 12/3/87 CHECKER: AVB DATE: 12/2/87 PROJ. NO.: 755

TITLE: RUBBER IMPELLER PUMP ASS'Y

MATERIAL: SEE DETAILS DWG. NO.: R991