

# Turbine Series - 75900/1000MAX/M/P

# FUEL

## Specifications:

**Height:** 75900MAX: 16.5" (41.9 cm)  
 751000MAX: 22.0" (55.9 cm)  
 75900MAXM: 15.8" (40.1 cm)  
 751000MAXM: 21.8" (55.4 cm)

**Width:** 18.75" (47.6 cm) with Bracket

**Depth:** 10.8" (27.4 cm) with Bracket

**Weight:** 75900MAX: 23.0 lbs (10.4 kg)  
 751000MAX: 30 lbs (13.6 kg)  
 75900MAXM: 23.0 lbs (10.4 kg)  
 751000MAXM: 30 lbs (13.6 kg)

**Valve Male Fittings:**  
 7/8"-14 UNF-2A  
 (SAE J514 37° Flare)

**Service Clearance (Top):**  
 75900MAX: 5.0" (12.7 cm)  
 751000MAX: 10.0" (25.4 cm)

**Vacuum Installation Recommended**  
**Maximum Pressure: 15 psi (1.03 bar)**

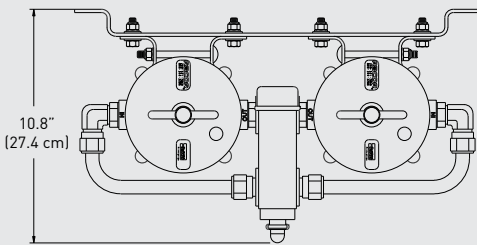
**Max Flow Rate:**  
 75900MAX: 180 gph (682 lph)  
 751000MAX: 360 gph (1362 lph)

## Create a Part Number

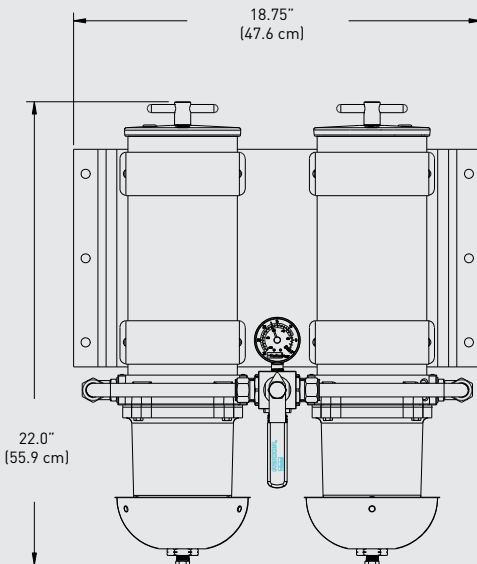
Housing Type	Filter Model	Valve Type	Assembly Options	Filtration Rating
Dual Assembly	Turbine Model 90/180 GPH Flow Rate	6-Port Ball Valve	Metal Bowl Option WIF Probe Option	2 micron 10 micron 30 micron
75	Turbine Model 180/360 GPH Flow Rate 900MA 1000MA	X	M P	2 10 30

ASSEMBLY	DESCRIPTION
75900MAX2	Marine - Dual 900 Turbine Assy., 2 micron Filter
75900MAX10	Marine - Dual 900 Turbine Assy., 10 micron Filter
75900MAX30	Marine - Dual Turbine Assy., 30 micron Filter
751000MAX2	Marine - Dual 1000 Turbine Assy., 2 micron Filter
751000MAX10	Marine - Dual 1000 Turbine Assy., 10 micron Filter
751000MAX30	Marine - Dual 1000 Turbine Assy., 30 micron Filter
75900MAXM2	Marine - Metal Bowl - Dual 900 Turbine Assy., 2 micron Filter
75900MAXM10	Marine - Metal Bowl - Dual 900 Turbine Assy., 10 micron Filter
75900MAXM30	Marine - Metal Bowl - Dual 900 Turbine Assy., 30 micron Filter
751000MAXM2	Marine - Metal Bowl - Dual 1000 Turbine Assy., 2 micron Filter
751000MAXM10	Marine - Metal Bowl - Dual 1000 Turbine Assy., 10 micron Filter
751000MAXM30	Marine - Metal Bowl - Dual 1000 Turbine Assy., 30 micron Filter
75900MAXP30	Marine - Dual 900 Turbine Assy., Water Sensor Probe, 30 micron Filter
751000MAXP10	Marine - Dual 1000 Turbine Assy., Water Sensor Probe, 10 micron Filter

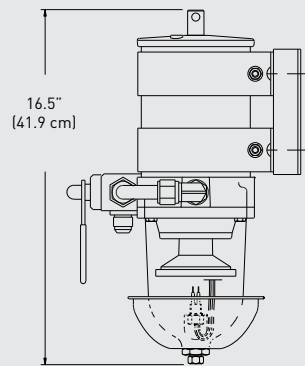
## Dimensions:



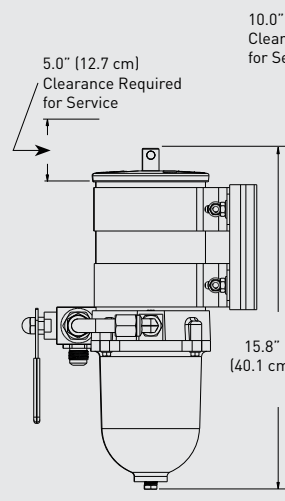
75900MAX/751000MAX Top



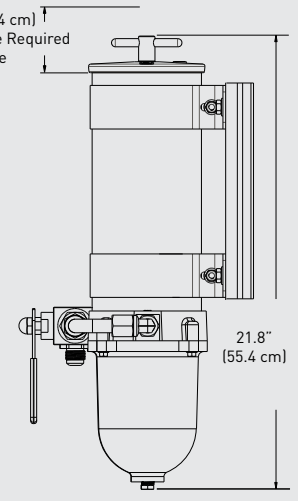
751000MAX Front



75900MAXP Profile



75900MAXM Profile



751000MAXM Profile



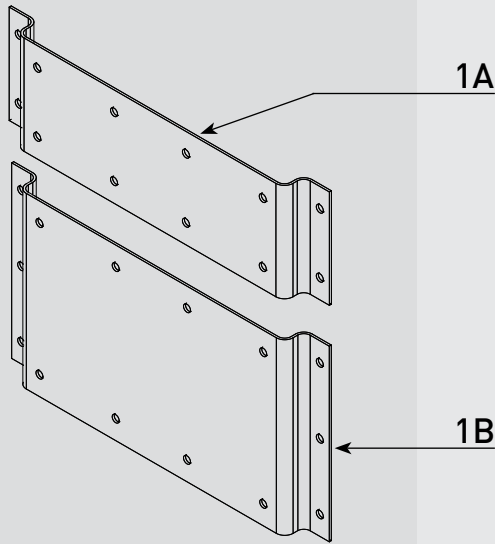
**RACOR®**

**DUAL ASSEMBLIES**

# PARTS

## Turbine Series - 75900/1000MAX/M/P

1



1A

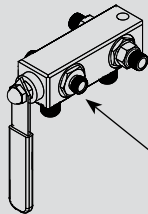
1B

2



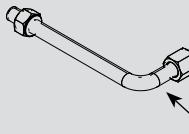
2A

3



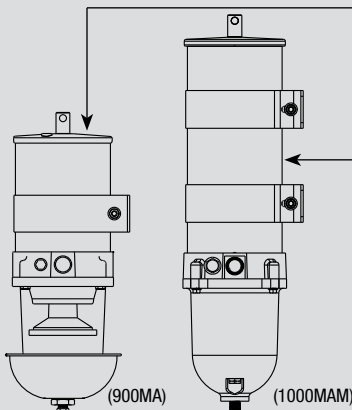
3A

4



4A

5



5A

5B

See **RSL0293**  
For 900MA/1000MA Parts Breakdown

Part #	Description
<b>1A</b> RK 19486	Mounting Bracket - 75900MAX - Bracket only (Beige Color)
<b>1B</b> RK 11-1777	Mounting Bracket - 751000MAX - Bracket only (Beige Color)
<b>2A</b> RK19669 RK19667	Vacuum Gauge (30" Hg) - 3 needles: Theshold (red), Max Change Out (Red - Adjustable), Gauge (Black) <i>Optional</i> - Compound Gauge Kit (Vacuum 30" HG / Pressure 15psi)
<b>3A</b> RK 19473 RK 19506	6-Port Ball Valve Valve Service Kit - Includes Handle/Stem/O-rings/Gasket
<b>4A</b> RK 19475	Rigid Tubing Kit - Includes (1ea.) Tube, Ferrule and Fitting
<b>5A</b>	Turbine Fuel Filter - 900MA Series See Cutsheet <b>RSL0293</b> for available Parts and Accessories
<b>5B</b>	Turbine Fuel Filter - 1000MA Series See Cutsheet <b>RSL0293</b> for available Parts and Accessories

### Accessories and Parts Available (Not Shown)

<b>6A</b> RK 11-1952	<b>Complete Seal Service Kit</b> - 900MA/1000MA Series Filters (Requires 2)
<b>6B</b> RK 21069 RK23191	WIF Probe (pig tail) - 1/2"-20 UNF - <b>Requires 6C</b> WIF Probe (Steel/pig tail) - 1/2"-20 UNF - <b>Requires 6C</b>
<b>6C</b> RK 14329 RK 14321	Water Detection Module - 12 vdc Water Detection Module - 24 vdc
<b>7A</b>	Bowl Gasket - <b>Included in 6A</b>
<b>7B</b> RK 11-1606-1	MA Bowl Kit (Clear) - <b>Includes 7A, 7E &amp; 7H (Gasket &amp; O-ring only)</b>
<b>7C</b> RK 11734-03	MAM Bowl Kit (Metal) - <b>Includes 7A, 7D &amp; 7G</b>
<b>7D</b> RK 20022	Metal Bowl Plug Kit (MAM) ( <b>O-ring Included in 6A</b> )
<b>7E</b> RK 20126	Plastic Bowl Plug Kit (MA) ( <b>O-ring Included in 6A</b> )
<b>7F</b> RK 11868	Heat Deflector Kit (MA) - <b>Includes 7H</b>
<b>7G</b>	Drain Plug (MAM) - <i>Contact Technical Support</i>
<b>7H</b> RK 11-1910	Drain Plug Kit (MA) ( <b>Gasket &amp; O-ring Included in 6A</b> )
<b>8A</b> 2040N-02 2040N-10 2040N-30	900MA/MAM Replacement Element 2 micron 900MA/MAM Replacement Element 10 micron 900MA/MAM Replacement Element 30 micron
<b>8B</b> 2020N-02 2020N-10 2020N-30	1000MA/MAM Replacement Element 2 micron 1000MA/MAM Replacement Element 10 micron 1000MA/MAM Replacement Element 30 micron

### Valve Operations

