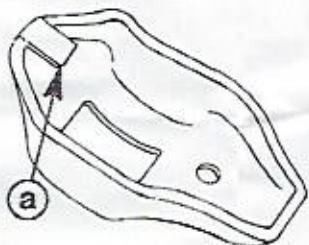


806751A1 ROCKER ARM FOR 227 CID (3.7L) ENGINE

The later rocker arm has an oil baffle as an integral part of the rocker arm.

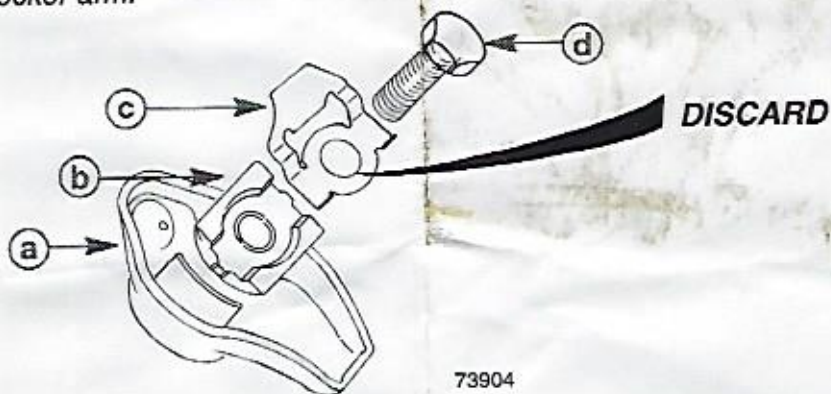


73903

Later Style

a - Oil Baffle

NOTE: The earlier style baffle must not be used with the later style rocker arm.



73904

Earlier Style

- a - Rocker Arm
- b - Ball
- c - Baffle
- d - Screw

Products of Mercury Marine
W6250 Pioneer Road
Fond du Lac, WI 54936-1939

The following are registered trademarks of Brunswick Corporation: Autoblend, Force, Jet Prop, Mariner, Merc, MerCathode, MerCruiser, Mercury, Mercury Marine, Quicksilver, Ride-Guide, and Thruster.