

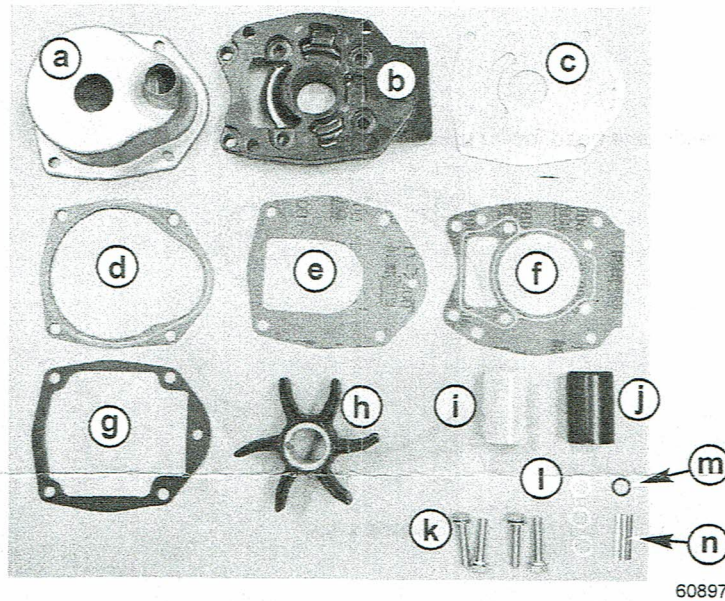
WATER PUMP REBUILD KIT

40 CT-125 HP

IMPORTANT: This document guides our dealers, boatbuilders, and company service personnel in the proper installation or service of our products. If you have not been trained in the recommended servicing or installation procedures for these or similar Mercury Marine products, have the work performed by an authorized Mercury Marine dealer technician. Improper installation or servicing of the Mercury product could result in damage to the product or personal injury to those installing or operating the product. Always refer to the appropriate Mercury Marine service manual for component removal and installation instructions.

NOTE: After completing installation, place these instructions with the product for the owner's future use.

Components Contained in Kit



| Ref. | Qty. | Description | Part Number |
|------|------|---|-------------|
| a | 1 | Water pump housing | 817275A2 |
| b | 1 | Anodized gearcase cover assembly | 8M0113262 |
| c | 1 | Face plate | 817276 1 |
| d | 1 | Gasket—face plate to water pump housing | 817277 1 |
| e | 1 | Gasket—face plate to cover | 43033 1 |
| f | 1 | Gasket—gearcase cover | 43047 2 |
| g | 1 | Gasket—face plate to gearcase | 8M0050720 |
| h | 1 | Impeller | 43026T2 |
| i | 1 | Water tube seal—gray | 43023 |
| j | 1 | Water tube seal—black | 43023 2 |
| k | 4 | Screw, M6 x 30 | 824832 7 |
| l | 3 | Drain plug seal | 830749 |
| m | 1 | O-ring | 805726 |
| n | 1 | Impeller drive key | 8M0032833 |

Water Pump Rebuild Kit

Installation Instructions

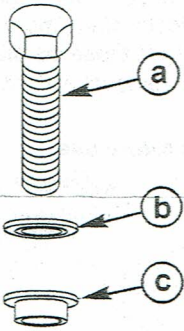
For complete installation instructions, refer to the appropriate Mercury Marine service manual.

This water pump rebuild kit will service the following engine models:

- 40-60 HP FourStroke outboards with the Command Thrust/BigFoot gearcase

WATER PUMP REBUILD KIT

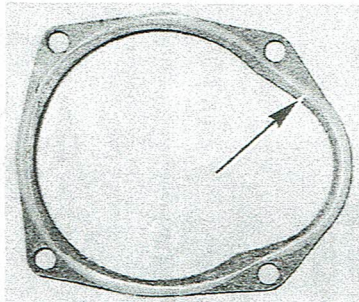
- 60 HP 2-stroke outboards with the BigFoot gearcase (serial number 0D000750 and above)
 - All 75–115 HP FourStroke outboards
 - 70–90 HP 2-stroke outboards (serial number 0A996142 and above)
 - 100–125 HP four-cylinder 2-stroke
1. Do not use the water pump housing screws, washers, and insulators. Use only the screws included with this kit.



- Do not use original mounting hardware
- a - Screw
 - b - Washer
 - c - Insulator

60907

2. Install the gasket with the silicone bead facing up.



60908

Silicone bead

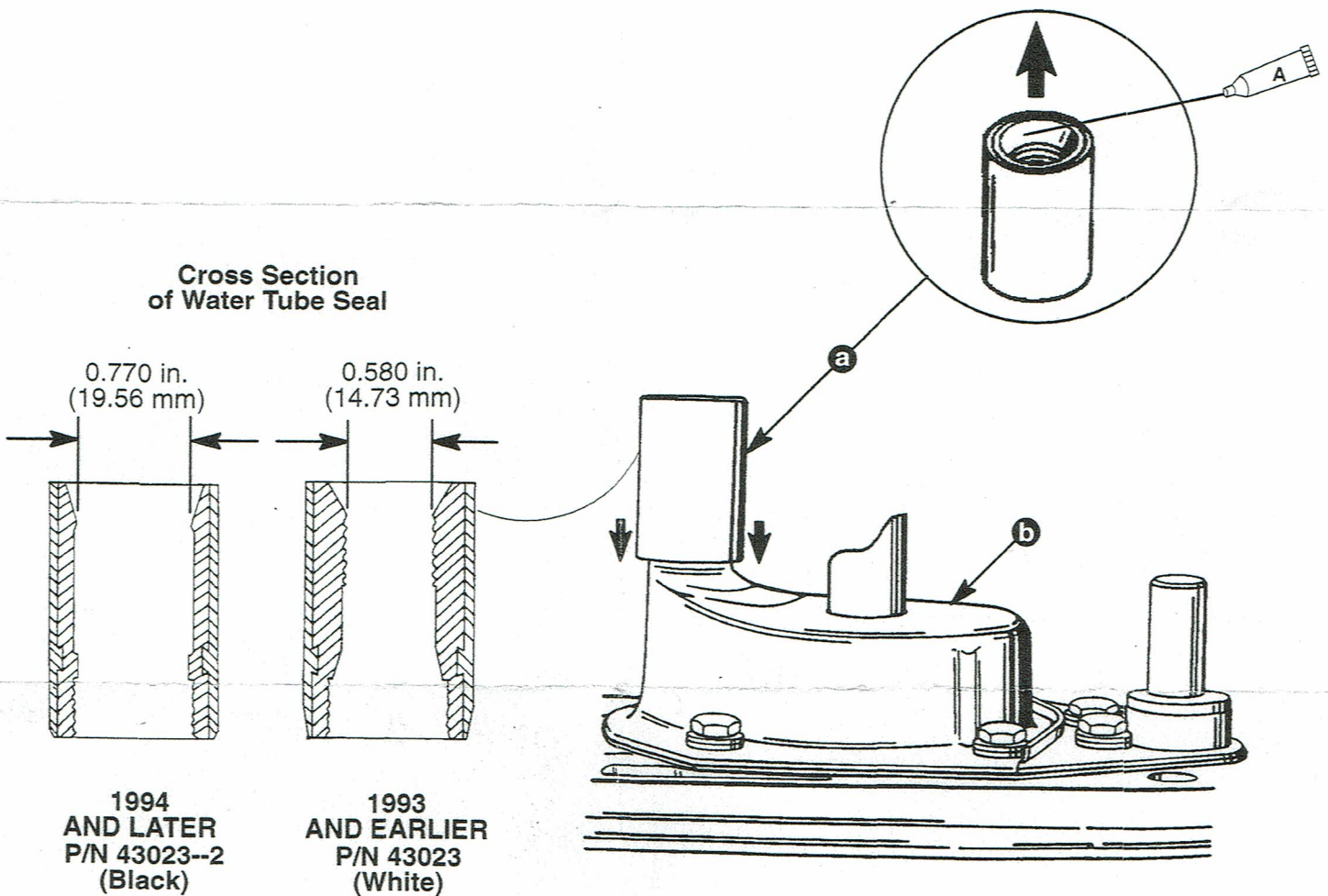
Products of Mercury Marine
W6250 Pioneer Road
Fond du Lac, WI 54936-1939

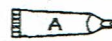
© MERCURY MARINE. All rights reserved. Reproduction in whole or in part without permission is prohibited. Alpha, Axis, Bravo One, Bravo Two, Bravo Three, Circle M with Waves Logo, K-planes, Mariner, MerCathode, MerCruiser, Mercury, Mercury with Waves Logo, Mercury Marine, Mercury Precision Parts, Mercury Propellers, Mercury Racing, MotorGuide, OptiMax, Quicksilver, SeaCore, Skyhook, SmartCraft, Sport-Jet, Verado, VesselView, Zero Effort, Zeus, #1 On the Water and We're Driven to Win are registered trademarks of Brunswick Corporation. Pro XS is a trademark of Brunswick Corporation. Mercury Product Protection is a registered service mark of Brunswick Corporation.

QUICKSILVER®
MARINE PARTS AND ACCESSORIES

SPECIAL INSTALLATION INSTRUCTIONS GEAR CASE ASSEMBLY 75-125

When installing this gear case assembly on 1993 and earlier 75-115 hp model outboards, installation of 0.580 in. (14.73 mm) I.D. water tube seal will be required. Remove the existing 0.770 in. (19.56 mm) I.D. water tube seal from water pump housing and install P/N 43023 (supplied) seal.



 2-4-C Marine Lubricant (92-90018A12)