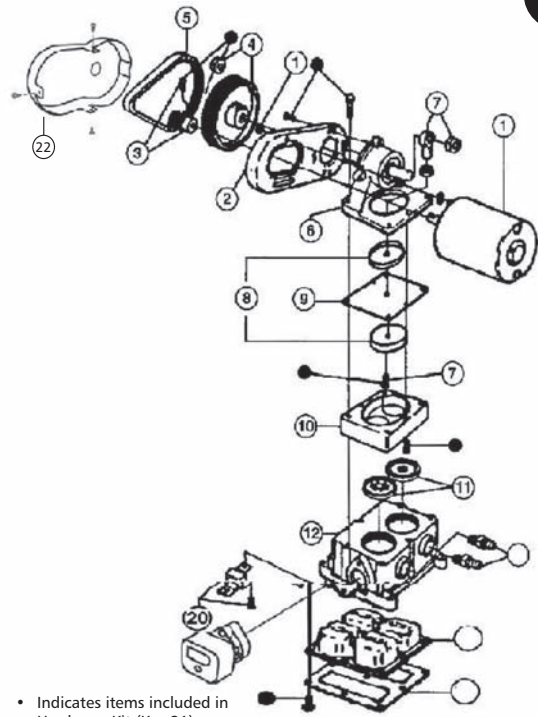


EXPLODED VIEW

3



• Indicates items included in Hardware Kit (Key 21).

PARTS LIST 36800-SERIES

Key	Part Description	Part Number	Qty
1	Motor Kit 12 Vdc	30200-0000	1
	Motor Kit 24 Vdc	30200-0010	
2	Motor Mount	34628-0000	1
3	Small Pulley	37169-0000	1
4	Large Pulley	37171-0001	1
5	Belt	30022-0000*	1
6	Jack Shaft Assembly	35689-0001 – See note 5	1
7	Connecting Rod Assembly	37173-0001 – See note 5	1
8	Diaphragm Plate	35503-0000	2
9	Diaphragm	30015-0000*	1
10	Retainer	35497-0000	1
11	Valve Set (Inlet & Outlet)	30004-0000*†	1 Set
12	Base Assembly	44114-1100	1
13	Pressure Switch	37121-0010 – See note 3	
		37121-0000 – See note 2	
		44814-1000 – See note 1	1
14	Micro Switch only	18753-0141	1
15	Ports (Inlet & Outlet) Barb	37176-0000† – See note 4	1 Set
17	Pulsation Dampener	44127-1000	1
19	Bottom Plate	35686-0000†	1
20	Vibration Pad Kit	43990-0058†	1 Set
21	Hardware Kit	43990-0071	1 Set
22	Belt Guard	35689-0001 – See note 5 & 6	1
		43990-0061	

* Indicates Parts Contained in Service Kit.

† Indicates Parts Supplied with Base Assembly.

• Except Model 36950-2180

NOTE 1: Low Pressure Switch 10 (.7) to 20 (1.4) psi.

NOTE 2: Includes Switch and Conversion Kit to Mount New Style Switch Onto Older Style-J and -0000 Pumps.

NOTE 3: Replacement Switch only for -2000 Series Pumps. Meets USCG Regulation 183.410 and ISO MARINE for Ignition Protection.

NOTE 4: Threaded Outlet Port 37050-0001. Threaded Inlet Port 37050-0000

NOTE 5: Jack shaft assembly kit, with part number ending in 0001 includes new style connecting rod (37173-0001) with a 5/16" diameter hole and two (2) locknuts. Previous model pumps use a connecting rod (37173-0000) with a 1/4" diameter hole and a bolt.

NOTE 6: Belt Guard only included with Jack Shaft Assembly (P/N 35689-0001). Belt Guard retrofit not available for old models.



WARNING

EXPLOSION HAZARD



NOT FOR FLAMMABLE LIQUIDS. For pumping water only.

FR NON DESTINÉ À DES LIQUIDES INFLAMMABLES. Uniquement pour le pompage de l'eau.

DE NICHT FÜR ENTZÜNDLICHE FLÜSSIGKEITEN GEEIGNET. Nur zum Pumpen von Wasser.

IT NON PER LIQUIDI INFIAMMABILI. Solamente per pompare l'acqua.

NL NIET VOOR BRANDBARE VLOEISTOFFEN. Alleen voor het pompen van water.

SE INTE FÖR BRANDFARLIGA VÄTSKOR. Endast för vattenpumpning.

ES NO USAR LÍQUIDOS INFLAMABLES. Para bombeo de agua solamente.



a xylem brand

www.xylemflowcontrol.com

UNITED STATES

East Coast
Tel: +1 978 281 0440 Fax: +1 978 283 2619

West Coast
Tel: +1 949 608 3900 Fax: +1 949 608 3887

UNITED KINGDOM

Tel: +44 (0) 1992 450 145 Fax: +44 (0) 1992 467 132

GERMANY

Tel: +49 (0) 40 53 53 73 0 Fax: +49 (0) 40 53 53 73 11

ITALY

Tel: +39 039 6852323 Fax: +39 039 666307

JAPAN

Tel: +81 (0) 45 475 8906 Fax: +81 (0) 45 477 1162

CHINA

Tel: (86)21 2208 2888 Fax: (86)21 2208 2999

FR

POMPES ÉLECTRIQUES POUR RÉSEAU D'EAU

DE

ELEKTRISCHE PUMPEN FÜR WASSERANLAGEN

IT

POMPE ELETTRICHE PER SISTEMI IDRAULICI

NL

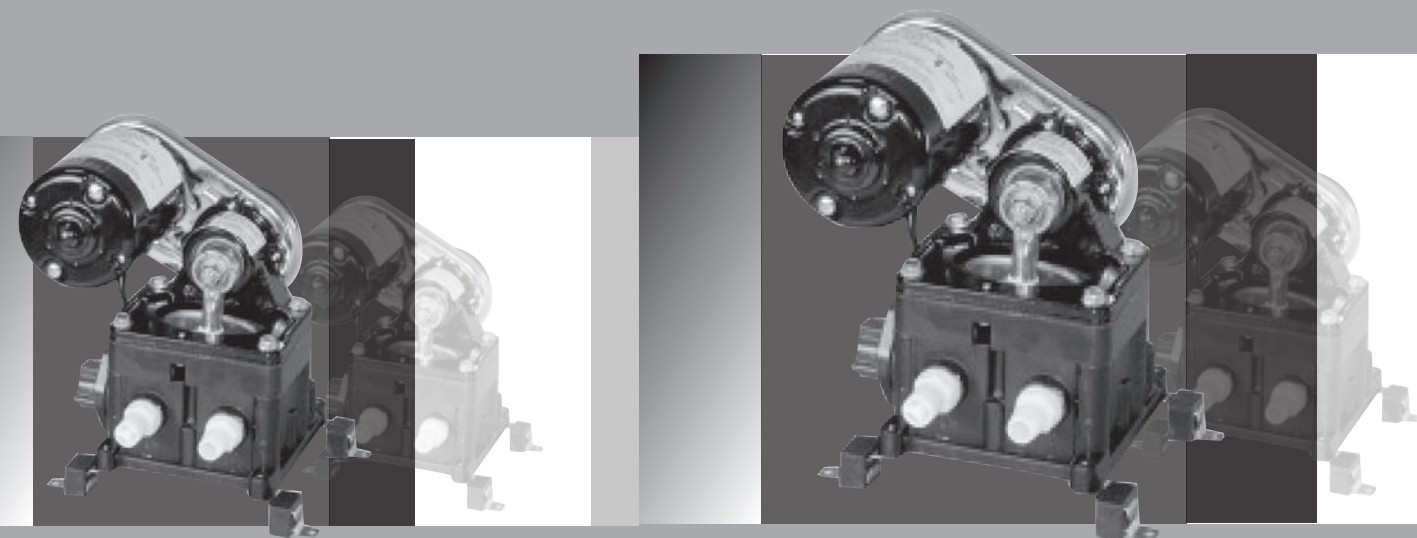
ELEKTRISCHE WATERSYSTEEMPOMPEN

SE

ELEKTRISKA VATTENSYSTEMPUMPAR

ES

BOMBAS ELÉCTRICAS PARA SISTEMAS DE AGUA



THE PRODUCT DESCRIBED HEREIN IS SUBJECT TO THE JABSCO ONE YEAR LIMITED WARRANTY, WHICH IS AVAILABLE FOR YOUR INSPECTION UPON REQUEST.

Jabco is a trademark of Xylem Inc. or one of its subsidiaries.
© 2012 Xylem, Inc.

43000-0536 Rev. D 11/2012

36950-2 Series



a xylem brand

ELECTRIC WATER SYSTEM PUMPS

Automatic Multi-Outlet

36950-2 Series

JABSCO

a xylem brand ELECTRIC WATER SYSTEM PUMPS Automatic Multi-Outlet

FEATURES

- Self-Priming
- Diaphragm Design Allows Dry Running
- Built-in Discharge Check Valve
- Quiet Operation
- Built-in Hydraulic Pulsation Dampener
- Large Vibration Absorbing Pads
- Ports Available with Barb, Threads or Flare
- Meets USCG Regulation 183.410 and ISO 8846 MARINE for Ignition Protection

SPECIFICATIONS

	U.S. GPM	Litres/min	Imp. GPM
Open Flow:	3.0	11,3	2.75
Vert. Dry Suction Lift:	5 Feet	1,5m	
Ports:	Slip on 1/2" to 5/8" ID hose		
Approx. Ship. Weight 36800-Series:	11 lb (5,0 kg)		

APPLICATIONS

Jabco automatic water system pumps are designed for self contained recreational vehicles and pleasure boats with multiple outlet water systems. The systems are automatic - when a faucet is opened, the pump instantly begins operation to provide a constant flow from tank to faucet. Closing the faucet automatically discontinues pump operation. Model 36800 is suited for up to five outlet distribution systems. Model 36900 is recommended for large distribution systems where duty requires simultaneous operation for multiple faucets.

INSTALLATION

Mounting

Jabco diaphragm pumps are self-priming. They may be located above or below the fresh water tank. The pump is equipped with vibration pads which are most effective when the pump is mounted upright on a solid surface.

Plumbing - See Figure 1.

To minimize water pressure drop, the size of water supply line should not be less than sizes shown in the table below. Valves, elbows, etc. used should be the same size as pipe or tubing. Use full opening (gate or ball type) valves only. Fresh water tank must be vented.

MINIMUM PIPING SIZE

Supply Line Length Hose ID Pipe Size

Less than 48" 1/2" 3/8"

48" or more 5/8" 1/2"

PRESSURE REGULATOR. It is recommended that systems having a connection for city water be equipped with a pressure regulator set at approximately 35 psi. This valve automatically regulates the incoming water pressure to avoid damage to the pump and plumbing from excessive pressures. Model 44411 Series (permanent flush mount) and Model 44411-0045 (in-line) pressure regulating valves are recommended for this purpose.

SUCTION FILTER. A Model 36400-0000 (strainer/filter) is recommended to be installed between the pump and fresh water tank. It helps prevent valve clogging caused by foreign material entering the pump.

WATER PURIFIER. Many water purifiers cause excessive restriction to flow, especially when element is in use for some time. When used at the main distribution line it causes the pump to cycle on and off rapidly. To minimize cycling, use an accumulator tank between pump and purifier, install purifier to feed a single outlet for drinking-water only.

ACCUMULATOR TANK. The use of an accumulator tank (Jabco Model 30573-0003 or 18810-0000), although not required, is recommended for a more effective water distribution system. It eliminates "water hammer," stores pressures to allow a limited use of water without restarting pump (desirable at night-time), assures a constant, even stream of water at faucets farthest from pump and prolongs pump life by cutting down rapid start/stop operation.

Wiring - See Figure 2 & 4.

Pump should be wired in a circuit independent of all other accessories according to the wiring diagram.

MOTOR PROTECTION The pump wiring must include a fuse/ breaker in the positive lead to protect against overcurrent draw. See specification table for proper fuse rating.

SWITCHES An on-off switch should be installed in the circuit to turn off pump when vehicle or boat is unattended, stored, or in transit, or hooked up to city water. Use Red and White Label included as a reminder to shut down water pressure system and open faucet to relieve pressure when unattended.

AC-DC POWER CONVERTERS AC-DC converter/ charger packs should be wired to operate pump directly from the battery at all times. If the battery is bypassed and converter is used to service the pump directly, be sure the total electric loads do not exceed the converter amp rating. Overloading the converter could result in low-voltage condition at the pump.

VERIFICACIÓN DE VOLTAJE. Verifique el voltaje en el motor de la bomba después de la instalación. Se debe verificar el voltaje cuando la bomba esté operando junto con todos los aparatos eléctricos interiores. El motor de la bomba debe tener el voltaje total disponible todo el tiempo.

OPERACIONES

- Verifique el nivel del agua en el tanque. Asegure que las válvulas estén abiertas y los filtros y aireadores estén limpios.
- Abra todos los grifos, para agua fría y caliente.
- Encienda la corriente eléctrica para la bomba.
- Cierre cada uno de los grifos cuando comience a salir un flujo continuo de agua (cierre primero el agua fría).
- Supervise la bomba. Verifique para asegurar que la bomba deja de operar poco después de cerrar los grifos.
- La bomba está ya lista para operar automáticamente. Comenzará a funcionar cuando se abra un grifo y se detendrá cuando se cierre el grifo.
- Apague la bomba y abra un grifo para liberar la presión en el sistema antes de entrar a la red de suministro de agua urbana o conexión en el muelle o cuando el aparato se encuentre desatendido.

MANTENIMIENTO

ALMACENAMIENTO DURANTE EL INVIERNO. Las bombas Jabasco, con su humidificador de pulsación especial, resistirán el agua congelada sin sufrir daños siempre y cuando el sistema no esté bajo presión antes del congelamiento. Para prevenir daños accidentales, se debe proteger el sistema de agua completo para que no se congele cuando esté almacenado durante el invierno. Lo anterior requiere un drenaje completo siguiendo las instrucciones siguientes y/o las instrucciones del fabricante del vehículo:

1. Abra todos los grifos y desagües y permita que se vacíen los tanques de la bomba y la línea de entrada. Encienda la bomba para que opere en seco por 1 ó 2 minutos antes de apagarla.
2. Con todos los desagües abiertos, inyecte aire en la toma de entrada de la red urbana. Permita que pase un período de tiempo para que se vacíe el agua en el calentador de agua.
3. Desconecte las mangueras de entrada y de descarga de la bomba. Encienda la bomba y manténgala funcionando hasta que haya expulsado toda el agua de la unidad. (La bomba no se daña al operar en seco).
4. Vuelva a conectar las mangueras, cierre los desagües y deje abiertos los grifos. El sistema de distribución de agua ya está seco y listo para almacenarse durante el invierno.

Un método alternativo es usar una solución anticongelante para el sistema de agua potable. Siga las instrucciones del fabricante del anticongelante.

⚠ PRECAUCIÓN NO USE UN TIPO DE ANTICONGELANTE AUTOMOTRÍZ. ES VENENOSO. EL USO DE ESTE

TIPO DE ANTICONGELANTE PUEDE CAUSAR SERIAS LESIONES INTERNAS O LA MUERTE.

REEMPLAZO DE VÁLVULAS - Ver la Figura 3.

1. Retire los tornillos de unión del motor y los cuatro tornillos del contraeje. Levante el contraeje para que las válvulas queden expuestas.
2. Levante las válvulas de las celdillas. Limpie las válvulas y los asientos eliminando cualquier impureza. Inspeccione las aletas de hule para asegurar que no tengan cortes.
3. Vuelva a instalar las válvulas en las mismas celdillas, asegúrese que la válvula de hule con el orificio pequeño esté HACIA ARRIBA en la toma y la válvula de hule sin orificio pequeño esté HACIA ABAJO en la descarga.

NOTA: No use la válvula con el orificio pequeño en el hule en el lado de descarga de la bomba o la bomba no operará correctamente.

4. Vuelva a colocar el motor, no apriete demasiado la correa.

REEMPLAZO DEL DIAFRAGMA Y DEL VÁSTAGO CONECTOR - Ver la figura 3.

1. Retire los tornillos de unión del motor y los 4 tornillos de unión del contraeje, luego levante el contraeje y el diafragma adjunto de la base de la bomba.
2. Para tener el diafragma a la vista, retire los dos tornillos de retención del diafragma y el sujetador desmontable.
3. Retire el tornillo del diafragma para separar el diafragma, las placas y la arandela o separador del vástago conector. Inspeccione el diafragma para asegurar que no tenga cortes o rupturas.
4. Retire la tuerca de fijación para separar el vástago conector del contraeje.
5. Cuando vuelva a ensamblar el equipo, asegúrese de alinear el diafragma y el vástago conector para que el vástago se deslice en línea recta dentro del contraeje y el diafragma quede firmemente asentado en el dispositivo de retención del mismo.
6. Vuelva a colocar el motor, no apriete demasiado la correa.

REEMPLAZO DE LOS HUMIDIFICADORES DE PULSACIÓN - Ver la Figura 3.

1. Retire los cuatro tornillos de la placa inferior y los tres tornillos de la placa pequeña inferior. Marque la parte de abajo de la placa pequeña para volver a ensamblarla de forma correcta.
2. Saque los humidificadores de pulsación de hule de la base. Revise que no presenten una deformación excesiva, rupturas o cortes.
3. Cuando instale el nuevo humidificador de pulsación, verifique que la camisa guía para tornillo metálico esté posicionada entre el orificio del centro y el conducto del tornillo en la base. Asegure que las bridas de ambos humidificadores de pulsación estén bien asentadas para sellar el agua y el aire.

REEMPLAZO DE INTERRUPTORES - PROCEDIMIENTO A - Ver la Figura 3.

Reemplazo directo del interruptor con vástago de rosca directamente en el cuerpo de la bomba.

1. Desconecte los cables de alimentación de corriente positiva del interruptor y retire el interruptor de la bomba.
2. Humedezca con agua el lado de hule de la arandela. Enrosque la arandela en el roscado del interruptor con el lado metálico de la arandela hacia el interruptor. Aplique una película delgada de sellador en el enroscado del interruptor de reemplazo. Cuide de mantener el orificio de conducto libre de sellador.
3. Atomille el interruptor de reemplazo en la base de la bomba y el cuerpo de la misma hasta que quede ajustado.
4. Vuelva a conectar los cables de alimentación.

REEMPLAZO DEL MOTOR - Ver la Figura 3.

1. Retire las dos tuercas para separar el motor.
2. Afloje el tornillo de sujeción para retirar la roldana pequeña del eje del motor.
3. Cuando lo vuelva a ensamblar, ajuste la tensión de la correa para que la correa se apriete hacia abajo 1/4" después de apretar las tuercas del motor.

No apriete demasiado la correa.

⚠ PRECAUCIÓN POSIBLE INCOMPATIBILIDAD DE COMPONENTES - SÓLO PARA AGUA

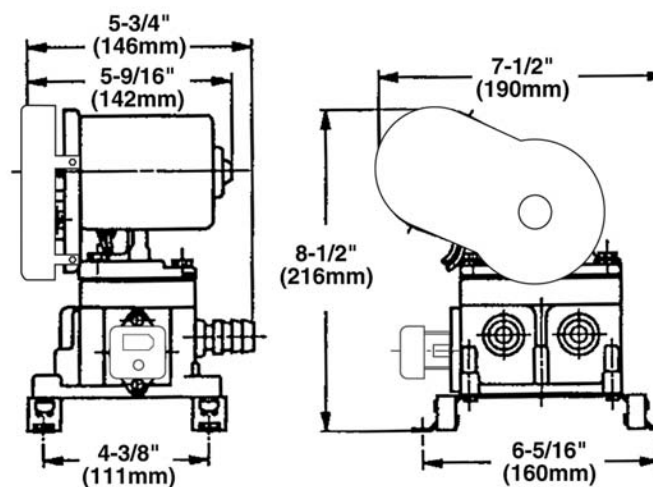
⚠ PRECAUCIÓN LA BASE DEL MOTOR SE PODRÍA CALENTAR AL OPERAR DURANTE PERÍODOS LARGOS. EL CONTACTO PROLONGADO CON LA PIEL PUEDE CAUSAR QUEMADURAS.

ES

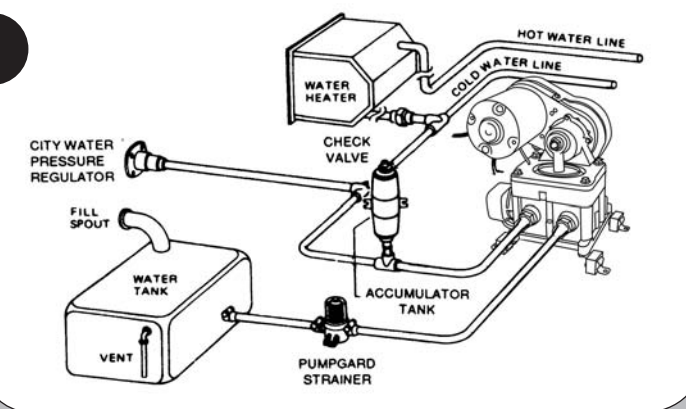
Model	Voltage	Nom. AMP Draw	Pressure		Fuse/Breaker*
			Cut-in psi (bar)	Cut-out psi (bar)	
36950-2000	12 Vdc	6	20(1.4)	40(2.7)	8 Amp
36950-2010	24 Vdc	3	20(1.4)	40(2.7)	4 Amp
36950-2200	12 Vdc	6	10(0.7)	20(1.4)	8 Amp
36950-2210	24 Vdc	3	10(0.7)	20(1.4)	4 Amp

* Customer supplied, not included with pump.

Dimensional Drawings



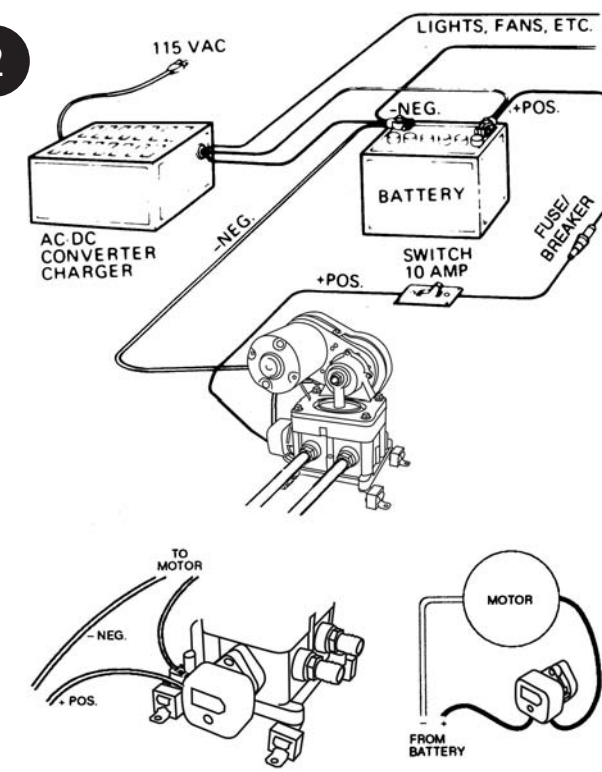
1



MINIMUM PIPING SIZE

Supply Line Length	Tubing ID	Pipe Size
Less than 48"	1/2"	3/8"
48" or more	5/8"	1/2"

2



4

WIRE SIZE CHART (A.W.G. - COPPER)

Voltage	Up to 80'	80' to 100'	100' to 150'
12 Vdc	14	12	10
24 Vdc	16	14	14
32 Vdc	16	16	14

Length of circuit in feet (Sum of + Pos. & - Neg. Wire Lengths)

SERVICE - TROUBLESHOOTING

Problem	Cause
Pump operates but no water flows through faucet.	<ul style="list-style-type: none"> • Low water level in tank. • Water lines are clogged. • Kink in water hose. • Air leak suction. • Dirty or hard-to-open in-line check valve. • Defective pump valve
Pump cycles on and off when faucets are closed.	<ul style="list-style-type: none"> • Water leak in plumbing. • Defective toilet flush valve. • Internal leak in output valve.
Pump operates roughly and has excessive noise and vibration.	<ul style="list-style-type: none"> • Intake line is restricted, kink in suction hose or fittings too small. • Pump mounted on flimsy board. • Deformed or ruptured pulsation dampener in pump. • Loosened screws at pulleys and connecting rod. • Worn connecting rod bearing.
Pump fails to start when faucet is opened.	<ul style="list-style-type: none"> • Clogged piping. • No voltage to pump. • Defective pressure switch.
Pump fails to stop when faucets are closed.	<ul style="list-style-type: none"> • Empty water tank. • Insufficient voltage to pump motor. • Defective pressure switch.

⚠ WARNING FIRE HAZARD
 Wiring must comply with applicable electrical standards and include a properly sized fuse or circuit breaker. IMPROPER WIRING CAN CAUSE A FIRE RESULTING IN INJURY OR DEATH.

VOLTAGE CHECK After installation, check the voltage at the pump motor. Voltage should be checked when pump is operating along with all the inside electrical fixtures. Full voltage must be available at the pump motor at all times.

OPERATIONS

- Check level of water in tank. Be sure valves are open and strainers and aerators are clean.
- Open all faucets, hot and cold.
- Turn on power to pump.
- Close each faucet when it starts to deliver a steady stream of water (close cold water first).
- Observe the pump. Check to be sure pump stops soon after all faucets are closed.
- Pump is now ready for automatic operation. It will start when a faucet is opened and stop when the faucet is closed.
- Turn off power to pump and open faucet to relieve system pressure prior to city water or dockside hook-up and when unattended.

MAINTENANCE

WINTER STORAGE Jabsco pumps, with their unique pulsation dampener, will withstand frozen water without damage provided the system is not under pressure prior to freezing. To prevent accidental damage, the entire water system should be protected from freezing during winter storage. This requires complete draining, using the following directions and/or vehicle manufacturer's instructions:

1. Open all faucets and drains and allow pump to empty water tanks and intake line. Run the pump dry for 1 to 2 minutes before turning off.
2. With all drains open, blow air through city water entry. Allow time for water heater to empty.
3. Disconnect discharge and intake hoses from the pump. Start the pump and allow to run until all water is expelled from unit. (Running dry will not harm the pump).
4. Reconnect the hoses, close the drains and leave faucets open. The water distribution system is now dry and ready for winter storage.

An alternate method is to use potable water system anti-freeze solution. Follow directions of anti-freeze manufacturer.

⚠ CAUTION DO NOT USE AUTOMOTIVE TYPE ANTI-FREEZE. IT IS POISONOUS. USE OF THIS TYPE OF ANTI-FREEZE WILL CAUSE SERIOUS INTERNAL INJURY OR DEATH.

VALVES ASSEMBLY REPLACEMENT - See Figure 3.

1. Remove motor and four jack shaft assembly tie down screws. Lift jack shaft assembly to expose valves.
2. Lift valves from pockets. Clean all foreign materials from valves and seats. Inspect rubber flappers for cuts.
3. Reinstall valves into same pockets, being sure rubber valve with small hole is UP on intake and rubber valve without the small hole is DOWN on discharge.
NOTE: Do not use valve with small hole in rubber on discharge side of pump or pump will operate incorrectly.
4. Replace motor, do not overtighten belt.

DIAPHRAGM & CONNECTING ROD REPLACEMENT - See Figure 3.

1. Remove motor and four jack shaft assembly tie down screws, then lift jack shaft and attached diaphragm assembly from pump base.
2. Expose diaphragm by removing two diaphragm retainer screws and detaching retainer.
3. Remove diaphragm screw to separate diaphragm, plates and washer/spacer from connecting rod. Inspect diaphragm for cuts and ruptures.
4. Remove locking nut to separate connecting rod from jack shaft.
5. When reassembling, be sure to align diaphragm and connecting rod so that rod slips straight onto jack shaft and diaphragm rests squarely on diaphragm retainer.
6. Replace motor, do not overtighten belt.

PULSATION DAMPENERS REPLACEMENT - See Figure 3.

1. Remove nine screws from bottom plate and three screws from small bottom plate. Mark bottom of small plate for proper reassembly.
2. Pull out rubber pulsation dampeners from base. Inspect for excessive deformation, ruptures and cuts.
3. When installing new large pulsation dampener, check that its metal screw sleeve-guide is positioned between center hole and screw-way in the base. Make sure that flanges of both pulsation dampeners are well-seated to effect a proper water and air seal.

SWITCH REPLACEMENT – PROCEDURE A - See Figure 3.

Direct replacement of switch with threaded stem directly into pump body.

1. Disconnect power leads from switch and remove switch from pump.
2. Moisten rubber side of washer with water. Thread washer onto switch threads with metallic side of washer facing switch. Apply a thin film of sealing compound to the replacement switch threads. Keep compound clear of passage-way hole.
3. Screw replacement switch into pump base/body until snug.
4. Reconnect switch power leads.

MOTOR REPLACEMENT - See Figure 3.

1. Remove two motor nuts to separate motor.
2. Loosen set screw to remove small pulley from motor shaft.
3. When reassembling, adjust belt tension so belt between pulleys can be depressed 1/4" after motor nuts are tightened.

Do not overtighten belt.

⚠ CAUTION POTENTIAL FOR COMPONENT INCOMPATIBILITY - FOR WATER ONLY.

⚠ CAUTION MOTOR BASE COULD GET HOT DURING EXTENDED OPERATION. PROLONGED CONTACT WITH SKIN MAY CAUSE BURN,



a xylem brand

POMPES ÉLECTRIQUES POUR RÉSEAU D'EAU Automatiques à sorties multiples

FONCTIONNALITÉS

- Auto-amorçante
- Conception à diaphragme permettant le fonctionnement à sec
- Clapet anti-retour d'évacuation intégré
- Fonctionnement silencieux
- Amortisseur de pulsations hydraulique intégré
- Grands tampons absorbant les vibrations
- Embouts disponibles : cannelé, fileté ou évasé
- Conforme aux Réglementations USCG 183.410 et ISO 8846 MARINE (Protection contre le risque d'explosion)

SPÉCIFICATIONS

	Gallons US/min.	Litres/min.	Gallons GB/min.
Débit libre :	3,0	11,3	2,75
Hauteur d'aspiration verticale à sec :	1,5 m (5 pi.)		
Embouts :	Tuyau amovible de diam. int. de 12,7 mm (1/2 po.) à 15,9 mm (5/8 po.)		
Poids d'expéd. approx. Série 36800 :	5,0 kg (11 lbs)		

APPLICATIONS

Les pompes automatiques pour réseau d'eau de Jabsco sont conçues pour les véhicules de loisir autonomes et les bateaux de plaisance équipés de réseaux d'eau à sorties multiples. Ces réseaux sont automatiques, c'est-à-dire que lorsqu'un robinet est ouvert, la pompe se déclenche instantanément pour assurer un débit constant depuis le réservoir jusqu'au robinet. La fermeture du robinet interrompt automatiquement le fonctionnement de la pompe. Le modèle 36800 est adapté aux réseaux de distribution à cinq sorties. Le modèle 36900 est conseillé pour les réseaux à grande distribution impliquant le fonctionnement simultané de plusieurs robinets.

INSTALLATION

Fixation

Les pompes à diaphragme de Jabsco sont auto-amorçantes. Il est possible de les installer au-dessus ou au-dessous du réservoir d'eau douce. La pompe est équipée de tampons absorbant les vibrations qui sont le plus efficace si la pompe est installée verticalement sur une surface solide.

Plomberie - Voir Figure 1.

Pour minimiser la chute de pression d'eau, la taille de la ligne d'alimentation ne devrait pas être inférieure aux spécifications du tableau ci-dessous. Les robinets, coudes, etc. utilisés devraient être de la même taille que les tuyaux ou canalisations. Utiliser uniquement des robinets à pleine ouverture (de type vanne ou à boisseau sphérique). Le réservoir d'eau douce doit être ventilé.

TAILLE MINIMUM DE CANALISATION

Longueur de ligne d'alimentation - Diamètre intérieur - Taille de tuyau

Moins de 1,22 m (48") - 12,7 mm (1/2") 9,5 mm (3/8")

1,22 m ou plus - 15,9 mm (5/8") 12,7 mm (1/2")

RÉGULATEUR DE PRESSION. Il est conseillé d'installer un régulateur de pression (réglé sur 2,41 bars ou 35 psi) pour les réseaux raccordés l'eau de ville. Ce clapet ajuste automatiquement la pression de l'arrivée d'eau pour protéger la pompe et la plomberie contre des surpressions. Les vannes de régulation de pression modèles 44411 (Fixation encastrée permanente) et 44411-0045 (type de tuyau en ligne) sont recommandées pour ces applications.

FILTRE D'ASPIRATION. Il est conseillé d'installer une pièce n°36400-0000 (crépine/filtre) entre la pompe et le réservoir d'eau douce pour éviter l'obstruction du clapet par tout débris pénétrant la pompe.

ÉPURATEUR D'EAU. De nombreux épurateurs d'eau limitent trop le débit d'eau, surtout après avoir servi pendant un certain temps. Lorsqu'ils sont installés sur la canalisation de distribution principale, cela entraîne la succession rapide de cycles de déclenchement et d'arrêt de la pompe. Pour en réduire la fréquence, utiliser un accumulateur entre la pompe et l'épurateur ou installer l'épurateur de façon à n'alimenter qu'une sortie, réservée à l'eau potable uniquement.

ACCUMULATEUR. L'utilisation d'un accumulateur (modèle 30573-0003 ou 18810-0000 de Jabsco), bien que facultative, est recommandée pour assurer la meilleure efficacité d'un réseau de distribution d'eau. Il évite les « coups de bélier », maintient les pressions pour permettre une utilisation réduite d'eau sans redémarrer la pompe (utile la nuit), assure un flux constant et régulier d'eau au niveau des robinets les plus éloignés de la pompe et prolonge la durée de vie de la pompe en réduisant la succession rapide de son déclenchement et de son arrêt.

Câblage - Voir Figure 2 et 4.

La pompe devrait être raccordée dans un circuit indépendant de tout autre accessoire conformément au diagramme de câblage.

PROTECTION DU MOTEUR. Le câblage de la pompe doit comprendre un fusible/disjoncteur sur le fil positif afin de protéger contre les surintensités. Voir le tableau de spécifications pour le calibre de fusible adéquat.

INTERRUPTEURS. Un interrupteur devrait être installé sur le circuit pour éteindre la pompe lorsque le véhicule ou le bateau est inoccupé, remis ou en transit ou raccordé à l'eau de ville. Utiliser l'étiquette rouge et blanche fournie pour ne pas oublier de fermer le réseau d'eau sous pression et ouvrir un robinet pour faire chuter la pression si personne n'est à bord.

CONVERTISSEURS DE PUISSANCE AC-DC. Un convertisseur/chargeur AC-DC devrait être raccordé pour que la pompe puisse fonctionner directement à partir de la batterie à tout moment. Si la batterie est dépassée et qu'un convertisseur dessert la pompe directement, veiller à ce que les charges électriques totales ne dépassent pas l'intensité nominale du convertisseur, sinon il pourrait en résulter une basse tension au niveau de la pompe.



**AVERTISSEMENT
DANGER D'INCENDIE**



Le câblage doit respecter les normes électriques en vigueur et comprendre un fusible ou un disjoncteur de taille adéquate. TOUT CABLAGE FAUTIF POURRAIT OCCASIONNER UN INCENDIE ENTRAÎNANT BLESSURE OU MORT.

VÉRIFICATION DE TENSION. Après l'installation, vérifier la tension au niveau du moteur de la pompe. La tension devrait être mesurée lorsque la pompe fonctionne en même temps que tous les appareils électriques à bord. La tension totale doit être disponible au niveau de la pompe à tout moment.

FOCTIONNEMENT

- Vérifier le niveau d'eau du réservoir. S'assurer que les robinets sont ouverts et que les crépines et aérateurs sont propres.
- Ouvrir tous les robinets d'eau chaude et froide.
- Mettre la pompe sous tension.
- Fermer chaque robinet lorsqu'il en sort un flux régulier d'eau (fermer l'eau froide d'abord).
- Examiner la pompe. Vérifier que la pompe s'arrête peu après que tous les robinets sont fermés.
- La pompe est maintenant prête pour le fonctionnement automatique et elle se mettra en marche lorsqu'un robinet est ouvert et s'arrêtera lorsqu'il est fermé.
- Éteindre la pompe et ouvrir un robinet pour faire chuter la pression avant d'effectuer un raccord à l'eau de ville ou à quai ou lorsque personne n'est à bord.

ENTRETIEN

ENTREPOSAGE EN HIVER. Les pompes Jabsco, grâce à leur amortisseur de pulsations, peuvent résister à la glace sans dommage à condition que le réseau ne soit pas pressurisé avant le gel. Afin d'éviter tout dommage accidentel, la totalité du réseau d'eau devrait être protégée contre le gel pendant l'entreposage en hiver. Pour ce faire, il convient d'évacuer entièrement le réseau d'eau conformément aux instructions suivantes et/ou aux instructions du fabricant du véhicule :

1. Ouvrir tous les robinets et bondes de vidage et laisser la pompe vider les réservoirs d'eau et la ligne d'arrivée. Laisser tourner la pompe pendant 1 à 2 minutes avant de l'éteindre.
2. Toutes les bondes étant ouvertes, souffler de l'air dans l'arrivée d'eau de ville. Laisser au chauffe-eau le temps de se vider.
3. Déconnecter les tuyaux d'évacuation et d'arrivée de la pompe. Démarrer la pompe et la laisser fonctionner jusqu'à ce que toute l'eau soit évacuée de l'unité. (Le fonctionnement à sec n'endommagera pas la pompe.)
4. Raccorder les tuyaux, fermer les bondes de vidage et laisser les robinets ouverts. Le réseau de distribution d'eau est maintenant asséché et prêt pour l'entreposage en hiver.

Une autre méthode consiste à utiliser une solution antigel pour réseau d'eau potable. Suivre les instructions du fabricant de l'antigel.

⚠ MISE EN GARDE NE PAS UTILISER D'ANTIGEL AUTOMOBILE. IL EST TOXIQUE. L'UTILISATION DE CE TYPE D'ANTIGEL ENTRAÎNERA DES LÉSIONS INTERNES SÉRIEUSES OU LA MORT.

REPLACEMENT DU BLOC VANNES - Voir Figure 3.

1. Enlever le moteur et les quatre attaches vissées du bloc arbre de renvoi. Soulever le bloc arbre de renvoi pour exposer les vannes.
 2. Soulever les vannes de leurs logements. Nettoyer tout débris des vannes et des sièges. Examiner les clapets en caoutchouc pour détecter toute coupure.
 3. Réinstaller les vannes dans leurs logements, en veillant à ce que la vanne avec caoutchouc avec le petit trou fasse face vers le HAUT sur l'arrivée et celle sans trou fasse face vers le BAS sur l'évacuation.
- N.B. :** Ne pas utiliser la vanne avec le petit trou dans le caoutchouc sur l'évacuation de la pompe sinon celle-ci ne fonctionnera pas correctement.
4. Remettre le moteur en place, ne pas trop serrer la courroie.

DIAPHRAGME ET CONNEXION DU REMPLACEMENT DE BIELLE - Voir Figure 3.

1. Enlever le moteur et les quatre attaches vissées du bloc arbre de renvoi puis soulever l'arbre de renvoi et le bloc diaphragme connecté, du socle de la pompe.
2. Exposer le diaphragme en retirant les deux vis de retenue du diaphragme et en détachant le dispositif de retenue.
3. Retirer la vis du diaphragme pour séparer le diaphragme, les plaques et la rondelle/entretoise de la bielle. Examiner le diaphragme pour détecter toute coupure ou rupture.
4. Retirer le contre-écrou pour séparer la bielle de l'arbre de renvoi.
5. Pendant le réassemblage, veiller à aligner le diaphragme et la bielle pour qu'elle glisse directement sur l'arbre de renvoi et que le diaphragme repose bien sur son dispositif de retenue.
6. Remettre le moteur en place, ne pas trop serrer la courroie.

REPLACEMENT DES AMORTISSEURS DE PULSATIONS - Voir Figure 3.

1. Retirer les neuf vis de la plaque inférieure et les trois vis de la petite plaque inférieure. Marquer la face inférieure de la petite plaque pour faciliter le réassemblage.
2. Retirer les amortisseurs de pulsations en caoutchouc du socle. Chercher toute déformation, rupture et coupure excessives.
3. En cas d'installation d'un nouvel grand amortisseur en caoutchouc, vérifier que le manchon guide de la vis métal se trouve entre le trou central et trou de passage de vis. Vérifier que les brides des deux amortisseurs sont bien siégées pour obtenir un joint étanche à l'air et l'eau.

REPLACEMENT D'INTERRUPTEUR – PROCÉDURE A - Voir Figure 3.

Orienter l'interrupteur de sorte que la tige filetée pénètre directement dans le corps de pompe.

1. Déconnecter les fils d'alimentation de l'interrupteur et retirer l'interrupteur de la pompe.
2. Humidifier la face caoutchouc de la rondelle avec de l'eau. Enfiler la rondelle sur la tige filetée le côté métallique faisant face à l'interrupteur. Appliquer une fine couche de mastic d'étanchéité au filetage de l'interrupteur de remplacement. Ne pas mettre d'enduit dans le trou de passage.
3. Visser l'interrupteur de remplacement dans le socle/corps de la pompe et bien serrer.
4. Reconnecter les fils d'alimentation de l'interrupteur.

REPLACEMENT DU MOTEUR - Voir Figure 3.

1. Retirer les deux écrous du moteur pour séparer le moteur.
2. Desserrer la vis sans fin pour retirer la petite poulie de l'arbre du moteur.
3. Pour réassembler, régler la tension de la courroie de sorte que la courroie entre les poulies puisse être enfoncée de 6 mm (1/4 po.) une fois les écrous du moteur serrés.

Ne pas trop serrer la courroie.

⚠ MISE EN GARDE POSSIBILITÉ D'INCOMPATIBILITÉ DE COMPOSANT – POUR UTILISATION AVEC DE L'EAU UNIQUEMENT.

⚠ MISE EN GARDE LE SOCLE DU MOTEUR PEUT CHAUFFER S'IL FONCTIONNE PENDANT DE LONGUES PÉRIODES. UN CONTACT PROLONGÉ AVEC LE BOÎTIER PEUT DONC ENTRAÎNER DES BRÛLURES SÉRIEUSES.



a xylem brand

ELEKTRISCHE PUMPEN FÜR WASSERANLAGEN

Automatikbetrieb für mehrere Entnahmestellen

FUNKTIONSMERKMALE

- Selbstansaugend
- Trockenlaufsicher dank Membrankonstruktion
- Integriertes Auslass-Rückschlagventil
- Geräuscharmer Betrieb
- Integrierte hydraulische Pulsationsdämpfer
- Große Vibrationsdämpfer
- Anschlüsse in Steck-, Gewinde- oder Bördelausführung erhältlich
- Entspricht USCG-Vorschrift 183.410 und ISO 8846 MARINE für Zündschutz

TECHNISCHE DATEN

Offener Durchfluss:	GPM (USA)	Liter/Min.	GPM (GB)
Vert. Trockenansaughöhe:	3,0	11,3	2,75
Anschlüsse:	Schlauchsteckstutzen 12,7 mm (1/2") bis 15,9 mm (5/8") Innen-Ø		
Ungef. Versandgewicht Serie 36800:	5,0 kg (11 lb)		

EINSATZMÖGLICHKEITEN

Die Automatikpumpen für Wasseranlagen von Jabsco sind für Wohnmobile und Freizeitboote mit unabhängiger Versorgung vorgesehen, die über Wasseranlagen mit mehrfachen Entnahmestellen verfügen. Bei diesen automatischen Anlagen nimmt die Pumpe sofort ihren Betrieb auf, wenn ein Hahn geöffnet wird, und sorgt so für einen gleichmäßigen Wasserfluss vom Tank bis zur Entnahmestelle. Durch Schließen des Hahns wird der Pumpenbetrieb automatisch beendet. Das Modell 36800 ist für Wasseranlagen mit bis zu fünf Entnahmestellen vorgesehen, während das Modell 36900 für große Verteilanlagen ausgelegt ist, bei denen mehrere Hähne gleichzeitig betrieben werden müssen.

EINBAU

Montage

Membranpumpen von Jabsco sind selbstansaugend. Sie können ober- oder unterhalb des Frischwassertanks installiert werden. Die Pumpe verfügt über Vibrationsdämpfer, die am besten funktionieren, wenn die Pumpe aufrecht auf einer stabilen Montagefläche befestigt wird.

Rohrleitungsanschlüsse - Siehe Abbildung 1.

Um den Wasserdruckabfall möglichst gering zu halten, darf die Wasserversorgungsleitung nicht kleiner sein als in der nachstehenden Tabelle angegeben. Ventile, Kniestücke usw. sollten genauso dimensioniert sein, wie Rohr oder Schlauchleitungen. Nur Ventile mit voller Öffnung (Absperschieber oder Kugelventil) verwenden. Der Frischwassertank muss belüftet werden.

MINDESTROHRLEITUNGSGRÖSSE

Länge Versorgungsleitung - Innen-Ø Schlauch - Rohrgröße

Unter 1,22 m (48") - 12,7 mm (1/2") 9,5 mm (3/8")

Ab 1,22 m - 15,9 mm (5/8") 12,7 mm (1/2")

DRUCKREGLER. Anlagen, die über einen Anschluss für die städtische Wasserversorgung verfügen, sollten mit einem auf etwa 2,4 bar (35 psi) eingestellten Druckreglerventil ausgestattet werden. Dieses Ventil regelt den Wassereinfluss automatisch und schützt damit sowohl die Pumpe als auch die Rohrleitungen vor übermäßigem Druck. Druckreglerventile der Modelle 44411 (Einbauausführung) und 44411-0045 (In-line-Ausführung) sind ausgezeichnet für diesen Zweck geeignet.

SCHMUTZFILTER. Zwischen der Pumpe und dem Frischwassertank sollte ein Schmutzfilter des Modells 36400-0000 (Sieb/Filter) installiert werden. Damit wird verhindert, dass Fremdkörper in die Pumpe eindringen und die Ventile verstopfen können.

WASSERAUFBEREITER. Viele Wasseraufbereiter schränken den Durchfluss erheblich ein, insbesondere, wenn sie über einen längeren Zeitraum verwendet werden. Werden sie in der Hauptverteilung eingesetzt, bewirken sie rasche Aus- und Einschaltzyklen der Pumpe. Um diese Wirkung zu minimieren, sollte zwischen Pumpe und Wasseraufbereiter ein Druckausgleichstank eingebaut werden. Den Wasseraufbereiter nur zur Trinkwasserversorgung an einer einzigen Entnahmestelle einbauen.

DRUCKAUSGLEICHSTANK. Der Einbau eines Druckausgleichstanks (Jabsco Modell 30573-0003 oder 18810-0000) ist zwar nicht erforderlich, wird aber zur Erzielung einer effektiveren Wasserverteilung empfohlen. Ein Druckausgleichstank verhindert „Wasserschlag“ und ermöglicht aufgrund von Druckspeicherung eine begrenzte Wassernutzung ohne Neustart der Pumpe (vorteilhaft für die Nacht). Er gewährleistet einen konstanten, gleichmäßigen Wasserfluss auch bei Hähnen, die am weitesten von der Pumpe entfernt sind, und verlängert die Pumpenlebensdauer, indem er rasche Ein- und Ausschaltzyklen auf ein Mindestmaß begrenzt.

Verdrahtung - Siehe Abbildungen 2 und 4.

Die Pumpe ist gemäß Schaltplan über einen Schaltkreis zu betreiben, der von allen anderen Zubehöerteilen unabhängig ist.

MOTORSCHUTZ. Bei der Pumpenverdrahtung muss zum Schutz vor Überstrombedingungen sichergestellt werden, dass sich eine Sicherung bzw. ein Unterbrecher in der positiven Leitung befindet. Die entsprechenden Nennwerte sind der Tabelle mit den technischen Daten zu entnehmen.

SCHALTER. Im Schaltkreis ist ein Ein-/Ausschalter zu installieren, mit dem die Pumpe ausgeschaltet werden kann, wenn das Fahrzeug unbeaufsichtigt ist, gelagert, transportiert oder an die städtische Wasserversorgung angeschlossen ist. Das im Lieferumfang enthaltene rotweiße Warnschild verwenden, um daran zu erinnern, das Druckwassersystem abzuschalten und den Hahn zur Druckentlastung zu öffnen, wenn die Anlage unbeaufsichtigt ist.

WECHSELSTROM-/GLEICHSTROMWANDLER. Wechselstrom-/Gleichstromwandler bzw. Aufladegeräte sind so zu verdrahten, dass die Pumpe jederzeit über die Batterie mit Strom versorgt wird. Wird die Batterie umgangen und die Pumpe direkt über den Wandler versorgt, muss darauf geachtet werden, dass die elektrischen Gesamtlasten die Stromstärkenennwerte des Wandlers nicht überschreiten. Eine Überlastung des Wandlers könnte eine Niederspannungsbedingung an der Pumpe bewirken.



**! WARNHINWEIS
BRANDGEFAHR!**



Die Verdrahtung muss alle geltenden Vorschriften für Elektroanlagen erfüllen und eine angemessen dimensionierte Sicherung bzw. einen geeigneten Leistungstrennschalter aufweisen. EINE UNSACHGEMASSE VERDRÄHTUNG KANN EINEN BRAND VERURSACHEN, DER ZU VERLETZUNGEN ODER SOGAR ZUM TOD FÜHREN KANN.

SPANNUNGSÜBERPRÜFUNG. Nach dem Einbau ist die Spannung am Pumpenmotor zu überprüfen. Dies sollte erfolgen, wenn die Pumpe zusammen mit allen elektrischen Innenvorrichtungen betrieben wird. Am Pumpenmotor muss stets die volle Spannung zur Verfügung stehen.

BETRIEB

- Tankwasserstand überprüfen. Sicherstellen, dass alle Ventile offen und Filter und Lüfter sauber sind.
- Alle Hähne (warm und kalt) öffnen.
- Pumpe einschalten.
- Jeden Hahn schließen, sobald aus ihm ein gleichmäßiger Wasserstrom kommt (Kaltwasserhähne zuerst schließen).
- Pumpe beobachten. Sicherstellen, dass die Pumpe kurz nach Schließen aller Hähne anhält.
- Damit ist die Pumpe für den Automatikbetrieb einsatzbereit. Sie läuft an, wenn ein Hahn geöffnet wird, und hält an, wenn der Hahn wieder geschlossen wird.
- Vor dem landseitigen Anschließen bzw. dem Anschließen an die städtische Wasserversorgung und in Zeiten, in denen die Anlage unbeaufsichtigt ist, die Pumpe ausschalten und einen Hahn öffnen, um für Druckentlastung in der Anlage zu sorgen.

WARTUNG

EINWINTERUNG. Dank ihres einzigartigen Pulsationsdämpfers werden Jabsco Pumpen nicht durch gefrorenes Wasser beschädigt, solange die Anlage bei Einsetzen der Frostbedingungen nicht unter Druck steht. Um versehentliche Schäden zu vermeiden, sollte die gesamte Wasseranlage bei der Einwinterung vor Frost geschützt werden. Dazu muss die gesamte Anlage gemäß der folgenden Anweisungen und/oder der Anweisungen des Fahrzeugherstellers komplett trocken gelegt werden:

1. Alle Hähne und Abflüsse öffnen und Wassertanks und Einlassleitung mit der Pumpe entleeren. Die Pumpe 1 bis 2 Minuten vor dem Ausschalten trocken laufen lassen.
2. Bei geöffneten Abflüssen Luft durch den Einlass der städtischen Wasserversorgung blasen. Abwarten, bis sich der Wassererhitzer entleert hat.
3. Ein- und Auslassschläuche von der Pumpe abnehmen. Die Pumpe starten und so lange laufen lassen, bis das gesamte Wasser aus der Einheit entfernt ist. (Die Pumpe ist trockenlaufsfähig.)
4. Die Schläuche wieder anschließen, die Abflüsse schließen und die Hähne offen lassen. Das Wasserverteilsystem ist jetzt trocken und kann für den Winter gelagert werden.

Alternativ kann auch eine Frostschuttlösung für Trinkwasseranlagen verwendet werden. In diesem Fall sind die Anweisungen des Frostschutzmittelherstellers zu befolgen.

⚠ VORSICHT KEIN AUTOMOBILFROSTSCHUTZMITTEL VERWENDEN. ES IST GIFTIG. DIE VERWENDUNG EINES SOLCHEN FROSTSCHUTZMITTELS VERURSACHT SCHWERE INNERE VERLETZUNGEN ODER KANN SOGAR ZUM TOD FÜHREN.

AUSTAUSCH VON VENTILBAUGRUPPEN - Siehe Abbildung 3.

1. Motor und vier Befestigungsschrauben der Zwischenwellenbaugruppe entfernen. Zwischenwellenbaugruppe anheben, um Ventile freizulegen.
2. Ventile aus den Vertiefungen herausheben. Alles Fremdmaterial von Ventilen und Ventilsitzen entfernen. Gummiklappen auf Einschnitte untersuchen.
3. Ventile wieder in dieselben Vertiefungen einsetzen und dabei darauf achten, dass das Gummiventil mit der kleinen Öffnung beim Einlass OBEN und das Gummiventil ohne kleine Öffnung beim Auslass UNTEN ist.
HINWEIS: Kein Ventil mit kleiner Öffnung im Gummi auf der Auslassseite der Pumpe verwenden. Andernfalls funktioniert die Pumpe nicht richtig.
4. Motor wieder einsetzen, Riemen nicht zu fest anziehen.

AUSTAUSCH VON MEMBRAN UND VERBINDUNGSSTANGE - Siehe Abbildung 3.

1. Motor und vier Befestigungsschrauben der Zwischenwellenbaugruppe entfernen, dann die Zwischenwellenbaugruppe und die daran befestigte Membranbaugruppe aus dem Pumpensockel heben.
2. Membran durch Entfernen der beiden Membranbefestigungsschrauben und Abnehmen der Halterung freilegen.
3. Membranschraube entfernen, um Membran, Platten und Unterlegscheibe/Abstandsstück von der Verbindungsstange zu trennen. Membran auf Einschnitte und Risse untersuchen.
4. Sicherungsmutter entfernen, um die Verbindungsstange von der Zwischenwelle zu trennen.
5. Beim erneuten Zusammenbau darauf achten, die Membran und Verbindungsstange so auszurichten, dass die Stange gerade auf die Zwischenwelle geschoben wird und die Membran flächig auf der Membranhalterung aufliegt.
6. Motor wieder einsetzen, Riemen nicht zu fest anziehen.

AUSTAUSCH VON PULSATIONS DÄMPFERN - Siehe Abbildung 3.

1. Neun Schrauben aus der Bodenplatte und drei Schrauben aus der kleinen Bodenplatte entfernen. Unterseite der kleineren Platte für den korrekten Wiederzusammenbau markieren.
2. Gummipulsationsdämpfer aus dem Sockel ziehen. Auf übermäßige Verformung, Risse und Einschnitte untersuchen.
3. Beim Einbau eines neuen großen Pulsationsdämpfers sicherstellen, dass sich seine Metallschrauben-Führungshülse zwischen der Bohrung in der Mitte und dem Schraubpfad im Sockel befindet. Sicherstellen, dass die Flansche beider Pulsationsdämpfer fest sitzen und für einen wasser- und luftdichten Abschluss sorgen.

SCHALTERAUSTAUSCH – VERFAHREN A - Siehe Abbildung 3.

Direkter Austausch des Schalters mit Gewindeschäft unmittelbar im Pumpenkörper.

1. Stromversorgungsleitungen vom Schalter trennen und Schalter aus der Pumpe entfernen.
2. Gummiseite der Unterlegscheibe mit Wasser anfeuchten. Unterlegscheibe mit der Metallseite zum Schalter gewandt auf das Schaltergewinde fädeln. Etwas Dichtmasse dünn auf das Gewinde des Ersatzschalters auftragen. Keine Dichtmasse in die Durchführungsbohrung gelangen lassen.
3. Ersatzschalter in den Pumpensockel/-körper schrauben, bis er fest sitzt.
4. Stromversorgungsleitungen des Schalters wieder anschließen.

AUSTAUSCH DES MOTORS - Siehe Abbildung 3.

1. Zwei Motormuttern entfernen, um den Motor zu lösen.
2. Stellschraube lösen, um das kleine Riemenrad von der Motorwelle zu entfernen.
3. Beim Wiederzusammenbau die Riemenspannung so justieren, dass der Riemen zwischen den Riemenrädern nach Anziehen der Motormuttern um etwa 6 mm (1/4") nach unten gedrückt werden kann.

Den Riemen nicht zu fest anziehen.

⚠ VORSICHT MÖGLICHE KOMONENTEN-UNVERTRÄGLICHKEIT – NUR FÜR WASSER GEEIGNET.

⚠ VORSICHT MOTORSOCKEL KÖNNTE BEI LÄNGEREM BETRIEB HEISS WERDEN. LÄNGERER HAUTKONTAKT KANN VERBRENNUNGEN VERURSACHEN.



a xylem brand

POMPE ELETTRICHE PER SISTEMI IDRAULICI

Uscite multiple automatiche

CARATTERISTICHE

- Adescamento automatico
- Il design a membrane permette il funzionamento a secco
- Valvola di controllo dello scarico incorporata
- Funzionamento silenzioso
- Smorzatore di pulsazioni idrauliche incorporato
- Grandi tamponi per assorbire le vibrazioni
- Aperture disponibili con giunto a gomito, filettature o svasatura
- Conforme con la USCG Regulation 183.410 e l'ISO 8846 MARINE per la protezione contro le accensioni.

SPECIFICHE

Flusso libero:	GPM U.S.A.	Litri/min	Imp. GPM
Vert. Innalzamento in aspirazione a secco:	3,0	11,3	2,75
Aperture:	5 piedi	1,5m	
Peso di spedizione approssimato Serie 36800:	Tubo flessibile infilabile di diametro interno da 1/2" a 5/8"		
	5,0 kg (11 lb)		

APPLICAZIONI

Le pompe automatiche Jabsco per impianti idraulici sono indicate per veicoli ricreativi autocontenuti e imbarcazioni da diporto con impianti idrici ad uscite multiple. I sistemi sono automatici – quando un rubinetto viene aperto, la pompa inizia subito a funzionare offrendo un flusso costante dalla tanica al rubinetto. La chiusura del rubinetto arresta automaticamente il funzionamento della pompa. Il modello 36800 è adatto per sistemi di distribuzione con un massimo di cinque uscite. Il modello 36900 è consigliato per sistemi a grande distribuzione dove il funzionamento avviene in simultanea per più rubinetti.

INSTALLAZIONE

Montaggio

Le pompe Jabsco a membrana sono autoadescanti. Possono essere sistemate sopra o sotto la tanica dell'acqua dolce. La pompa è dotata di tamponi per le vibrazioni, che sono più efficaci quando la pompa è montata su una superficie solida.

Impianto idraulico - Vedi Figura 1.

Per ridurre al minimo la caduta di pressione, la misura della linea di fornitura dell'acqua non dovrebbe essere inferiore alle misure riportate nella tabella di seguito indicata. Valvole, gomiti, ecc. devono essere della stessa misura dei tubi o delle condutture. Usare solamente valvole ad apertura completa (a saracinesca o a sfera). La tanica dell'acqua dolce deve essere ventilata.

MISURE MINIME DELLE TUBATURE

Lunghezza della linea di alimentazione – D.I. Tubo – Misura tubo

Meno di 1,22 m (48") – 12,7 mm (1/2") 9,5 mm (3/8")

1,22 m o di più – 15,9 mm (5/8") 12,7 mm (1/2")

REGOLATORE DI PRESSIONE. Si raccomanda che i sistemi dotati di una connessione per l'acqua di città siano muniti di un regolatore di pressione impostato su circa 35 psi. Questa valvola regola automaticamente la pressione dell'acqua in entrata, per evitare danni alla pompa e alle tubature causati da eccessiva pressione. A questo scopo, si raccomandano le valvole regolatrici della pressione modelli serie 44411 (con supporto per scarico permanente) e 44411-0045 (in linea).

FILTRO DI ASPIRAZIONE. È raccomandato l'uso di un filtro Modello 36400-0000 da installare fra la pompa e la tanica dell'acqua dolce. Aiuta ad evitare intasamenti della valvola causati dall'ingresso di corpi estranei nella pompa.

DEPURATORE D'ACQUA. Molti depuratori d'acqua causano eccessivi ostacoli al flusso, specialmente quando l'elemento è in uso da qualche tempo. Quando l'elemento viene usato nella linea di distribuzione principale, la pompa si attiva e disattiva in maniera ciclica rapidamente. Per ridurre al minimo il funzionamento ciclico, usare un serbatoio di accumulo fra la pompa e il depuratore, installare il depuratore per alimentare una sola uscita esclusivamente per l'acqua potabile.

SERBATOIO DI ACCUMULO. Sebbene non sia obbligatorio, per un'efficacia maggiore del sistema di distribuzione dell'acqua, si consiglia l'uso di un serbatoio di accumulo (Jabsco modello 30573-0003 o 18810-0000). Elimina i "colpi dell'acqua", immagazzina le pressioni per consentire un uso limitato dell'acqua senza riavviare la pompa (preferibile durante la notte), assicura un flusso uniforme e costante dell'acqua ai rubinetti più lontani dalla pompa e allunga la durata della pompa riducendo avvii/arresti rapidi della pompa stessa.

Collegamenti elettrici - Vedi figura 2 e 4.

Collegare elettricamente la pompa ad un circuito indipendente da tutti gli altri accessori, seguendo il diagramma dei collegamenti.

PROTEZIONE DEL MOTORE. I collegamenti elettrici della pompa devono comprendere un disgiuntore/fusibile nel conduttore positivo, per proteggere dall'assorbimento di sovracorrente. Per i dati nominali del fusibile, vedere la tabella delle specifiche.

INTERRUTTORI. Nel circuito dovrebbe essere installato un interruttore on/off per spegnere la pompa quando il veicolo o l'imbarcazione non sono sorvegliati, sono in rimessa o in transito, oppure sono collegati all'acqua di città. Usare l'allegata etichetta rossa e bianca come promemoria per arrestare il sistema della pressione idrica e aprire il rubinetto per liberare la pressione, quando il sistema non è sorvegliato.

CONVERTITORI DI POTENZA CA-CC. Per usare la pompa alimentata sempre dalla batteria, collegare elettricamente convertitori di potenza CA-CC/caricabatterie. Se la batteria viene bypassata e per servire direttamente la pompa viene usato un convertitore, accertarsi che i carichi elettrici non superino i valori nominali di amperaggio del convertitore. Sovraccaricare il convertitore potrebbe creare una condizione di bassa tensione alla pompa.


AVVERTENZA
PERICOLO D'INCENDIO


Il cablaggio deve soddisfare tutti gli standard elettrici del caso, e comprendere un fusibile di dimensione appropriata o un interruttore disgiuntore. IL CABLAGGIO SCORRETTO PUÒ CAUSARE UN INCENDIO CON RISCHIO DI INFORTUNI O DI MORTE.

CONTROLLO DELLA TENSIONE. Dopo l'installazione, controllare la tensione al motore della pompa. La tensione deve essere controllata con la pompa in funzionamento, insieme a tutti gli impianti elettrici interni. Tensione piena deve essere sempre disponibile alla pompa del motore.

OPERAZIONI

- Controllare il livello dell'acqua nella tanica. Verificare che le valvole siano aperte e che filtri e aeratori siano puliti.
- Aprire tutti i rubinetti, acqua calda e fredda.
- Accendere la pompa.
- Chiudere ogni rubinetto quando comincia ad erogare un flusso d'acqua regolare (chiudere per primi i rubinetti dell'acqua fredda).
- Osservare la pompa. Controllare che la pompa si arresta poco dopo che tutti i rubinetti sono stati chiusi.
- La pompa è ora pronta per il funzionamento automatico. Si avvierà quando un rubinetto viene aperto, e si chiuderà quando il rubinetto viene chiuso.
- Spegnerla la pompa e aprire il rubinetto per liberare la pressione del sistema prima dell'acqua di città o dell'attacco in banchina e quando non viene sorvegliato.

MANUTENZIONE

RIMESSA DURANTE L'INVERNO. Le pompe Jabsco, grazie al loro esclusivo smorzatore di pulsazioni, sopportano acqua congelata senza danni, ammesso che il sistema non sia sotto pressione prima del congelamento. Per evitare danni accidentali, proteggere l'intero sistema idrico dal congelamento durante la rimessa invernale. Per proteggere il sistema, è necessario drenarlo completamente, seguendo le indicazioni e/o le istruzioni del produttore del veicolo:

1. Aprire tutti i rubinetti e tutti gli scarichi, quindi lasciare che la pompa svuoti le taniche e la linea di presa dell'acqua. Far funzionare la pompa a secco per 1-2 minuti prima di spegnerla.
2. Con tutti gli scarichi aperti, soffiare aria attraverso l'ingresso dell'acqua di città. Attendere fino a quando il boiler sia vuoto.
3. Scollegare i tubi di scarico e di entrata dalla pompa. Avviare la pompa e farla funzionare fino a quando tutta l'acqua è fuoriuscita dall'unità. (il funzionamento a secco non crea pericoli per la pompa).
4. Collegare di nuovo i tubi, chiudere gli scarichi e lasciare i rubinetti aperti. Il sistema di distribuzione dell'acqua è adesso asciutto e pronto per la rimessa invernale.

Un metodo alternativo consiste nell'usare una soluzione antigelo per sistemi di acqua potabile. Seguire le istruzioni del produttore dell'antigelo.

⚠ ATTENZIONE NON USARE ANTIGELO PER AUTOMOBILI. È VELENOSO. L'USO DI QUESTO TIPO DI ANTIGELO CAUSA GRAVI LESIONI INTERNE O LA MORTE.

SOSTITUZIONE DEI GRUPPI DELLE VALVOLE - Vedi Figura 3.

1. Rimuovere il motore e le quattro viti di fermo dell'albero intermedio. Sollevare l'albero intermedio per esporre le valvole.
2. Sollevare la valvole dalle tasche. Pulire ogni corpo estraneo dalle valvole e dalle loro sedi. Verificare che le falde di gomma non presentino tagli.
3. Installare di nuovo le valvole nelle stesse tasche, accertandosi che la valvola di gomma con il foro piccolo sia IN ALTO sull'entrata e che la valvola di gomma senza il foro piccolo sia IN BASSO sullo scarico.

NOTA: non usare la valvola con il foro piccolo nella gomma sul lato di scarico della pompa, altrimenti la pompa non funzionerà correttamente.

4. Rimettere a posto il motore; non stringere eccessivamente la cinghia.

SOSTITUZIONE DELLA MEMBRANA E DELL'ASTA DI COLLEGAMENTO - Vedi Figura 3.

1. Rimuovere il motore e le quattro viti di fermo dell'albero intermedio, quindi sollevare dalla base della pompa l'albero intermedio e la membrana attaccata.
2. Esporre la membrana rimuovendo le due viti del fermo della membrana e staccando il fermo.
3. Rimuovere la vite della membrana per separare membrana, piastre e rondella/distanziatore dall'asta di collegamento. Verificare che la membrana non presenti tagli e rotture.
4. Rimuovere il dado di bloccaggio per separare l'asta di collegamento dall'albero intermedio.
5. In sede di riassetto, accertarsi di allineare la membrana e l'asta di collegamento in modo che l'asta scorra direttamente sull'albero intermedio e che la membrana si posi correttamente sul proprio fermo.
6. Rimettere a posto il motore; non stringere eccessivamente la cinghia.

SOSTITUZIONE DEGLI SMORZATORI DI PULSAZIONI - Vedi Figura 3.

1. Rimuovere nove viti dalla piastra inferiore e tre viti dalla piastra inferiore piccola. Contrassegnare il fondo della piastra piccola per il corretto riassetto.
2. Estrarre dalla base gli smorzatori di pulsazioni di gomma. Verificare che non presentino deformazione, rotture e tagli.
3. Se viene installato un nuovo, grande smorzatore di pulsazioni, controllare che la guida a manicotto metallica delle viti si trovi fra il foro centrale e la direzione della guida nella base. Verificare che le flange dei due smorzatori di pulsazioni siano bene a posto per realizzare una chiusura idraulica e una tenuta pneumatica corrette.

SOSTITUZIONE DEGLI INTERRUITORI - PROCEDURA A - Vedi Figura 3.

Sostituzione diretta dell'interruttore con stelo filettato direttamente nel corpo della pompa.

1. Scollegare i conduttori dell'alimentazione dall'interruttore e rimuovere l'interruttore dalla pompa.
2. Inumidire con acqua il lato di gomma della rondella. Filettare la rondella sulle filettature dell'interruttore, con il lato metallico della rondella rivolto verso l'interruttore. Applicare uno strato sottile di composto sigillante sulle filettature del nuovo interruttore. Tenere il composto lontano dal foro della direzione di passaggio.
3. Avvitare il nuovo interruttore nella base o corpo della pompa, fino a quando è bene a posto.
4. Ricollegare i conduttori dell'alimentazione sull'interruttore.

SOSTITUZIONE DEL MOTORE - Vedi Figura 3.

1. Rimuovere due dadi dal motore per separarlo.
2. Allentare la vite di fermo per rimuovere la piccola puleggia dall'albero del motore.
3. In sede di riassetto, regolare la tensione della cinghia in modo che la cinghia fra le pulegge possa essere premuta di 6 mm dopo che i dadi del motore sono stati stretti di nuovo.

Non stringere eccessivamente la cinghia.

⚠ ATTENZIONE RISCHIO DI INCOMPATIBILITÀ FRA I COMPONENTI - USARE SOLO CON L'ACQUA.

⚠ ATTENZIONE LA BASE DEL MOTORE PUÒ DIVENTARE CALDA DURANTE IL FUNZIONAMENTO PROLUNGATO. IL CONTATTO PROLUNGATO CON LA PELLE PUÒ CAUSARE USTIONI.



a xylem brand

ELEKTRISCHE WATER-SYSTEEMPOMPEN

Automatisch, met multi-aansluiting

KENMERKEN

- Zelfaanzuigend
- Drooglopend dankzij membraanontwerp
- Ingebouwde afvoerregelafluiters
- Geruisloze werking
- Ingebouwde hydraulische pulsdemper
- Grote trillingdempers
- Aansluitingen verkrijgbaar met tule, schroefdraad of conus
- Voldoet aan bepaling 183.410 van de USCG (Amerikaanse kustwacht) en ISO 8846 MARINE voor ontstekingsbescherming

SPECIFICATIES

	US GPM	Liter/min	Imp. GPM
Vrije doorstroming:	3,0	11,3	2,75
Vert. levensduur droog zuigen:	5 feet (1,5 m)		
Aansluitingen:	overschuifslang met binnendiameter van 1/2" (12,7 mm) of 5/8" (15,6 mm)		
Gem. transportgew. 36800 serie:	11 lb (5,0 kg)		

TOEPASSINGEN

De automatische watersysteempompen van Jabsco zijn ontworpen voor autonome vrijetijdsvoertuigen en pleziervaartuigen met watersystemen met meerdere aansluitingen. De systemen werken automatisch - wanneer een kraan wordt geopend, springt de pomp onmiddellijk aan voor een constante stroom van de tank naar de kraan. Wanneer de kraan wordt dichtgedraaid, wordt de pomp onmiddellijk stilgelegd. Model 36800 is geschikt voor max. vijf afvoerverdeelsystemen. Model 36900 is aanbevolen voor grote verdeelsystemen waarbij een simultane werking voor meerdere kranen vereist is.

INSTALLATIE

Montage

De membraanpompen van Jabsco zijn zelfaanzuigend. Ze kunnen boven of onder de schoonwatertank worden geplaatst. De pomp is voorzien van trillingdempers die het best werken indien de pomp recht op een stevig oppervlak is gemonteerd.

Leidingen - zie figuur 1

Om de waterdrukval zo veel mogelijk te beperken, mag de wateraanvoerleiding niet kleiner zijn dan de in onderstaande tabel aangegeven lengte. De afsluiters, ellebogen etc. moeten aan de buis of leidingen zijn aangepast. Gebruik alleen afsluiters met volledige opening (schuif- of kogelafsluiters). De schoonwatertank moet ontlucht zijn.

MINIMUM AFMETINGEN LEIDINGEN

Lengte aanvoerleiding - BD slang - Buismaat

Korter dan 1,22 m (48") - 12,7 mm (1/2") 9,5 mm (3/8")

48" (122 cm) of langer - 5/8" (15,9 mm) 1/2" (12,7 mm)

DRUKREGELAAR. Het verdient aanbeveling systemen te gebruiken met een aansluiting voor de openbare waterleiding en een drukregelaar ingesteld op ca. 35 psi. Deze afsluiter regelt automatisch de watertoevoerdruk om schade aan de pomp en leidingen door overdruk te voorkomen. Hiervoor worden drukregelafluiters model 44411 (permanente spoeling) en model 44411-0045 (in-line) aanbevolen.

ZUIGFILTER. Aanbevolen wordt model 36400-0000 (zeef/filter) te installeren tussen de pomp en de schoonwatertank. Hiermee wordt voorkomen dat de afsluiter verstopt raakt door vreemde materialen die in de pomp dringen.

WATERZUIVERAAR. Veel waterzuiveraars beperken de stroom te veel, vooral als het element al een tijdje in gebruik is. Bij gebruik aan de hoofdverdeelleiding zal de pomp vlug aan- en uitgaan. Gebruik om dit te voorkomen een drukvat tussen de pomp en de zuiveraar, monteer de zuiveraar voor één enkele uitlaat die is voorbehouden voor drinkwater.

DRUKVAT. Gebruik van een drukvat (Jabsco model 30573-003 of 18810-0000) is weliswaar niet verplicht, maar wordt aanbevolen voor een betere werking van het waterverdeelsysteem. Het drukvat voorkomt "kloppend water", zorgt voor drukbehoud voor beperkt gebruik van water zonder dat de pomp moet worden herstart ('s nachts wenselijk), een constante, gelijkmatige waterstroom aan kranen die het verst verwijderd zijn van de pomp en verlengt de levensduur van de pomp door snel starten/stoppen te beperken.

Bedrading - zie figuur 2 & 4.

De pomp moet worden aangesloten op een circuit dat volgens het bedradingsschema los staat van alle andere toebehoren.

BESCHERMING VAN DE MOTOR. De pompbedrading moet een zekering/stroomonderbreker hebben in de positieve terminal ter bescherming tegen overbelasting. Zie specificatietabel voor juiste zekeringen.

SCHAKELAARS. Installeer een aan/uit-schakelaar in het circuit om de pomp uit te schakelen wanneer de boot onbewaakt wordt achtergelaten, onderweg is of is aangesloten op de openbare waterleiding. Gebruik een rood/wit etiket als geheugensteuntje om het waterdruksysteem af te sluiten en open de kraan ter drukontlasting als het systeem onbewaakt wordt achtergelaten.

AC/DC-VOEDINGSOMVORMER. AC/DC-omvormers/laders moeten worden aangesloten om de pomp te allen tijde direct vanaf de accu te kunnen bedienen. Als de accu wordt overbrugd en de pomp direct met de omvormer wordt bediend, mag de totale elektrische belasting niet groter zijn dan de stroomsterkte van de omvormer. Overbelasting van de omvormer kan laagspanning aan de pomp veroorzaken.



WAARSCHUWING
BRANDGEVAAR



De bedrading moet aan de van toepassing zijnde elektrische normen voldoen en een zekering of stroomonderbreker van de juiste sterkte hebben. ONJUISTE BEDRADING KAN BRAND VEROORZAKEN MET LETSEL OF DE DOOD TOT GEVOLG.

SPANNINGSCONTROLE. Controleer na de installatie de spanning aan de pompmotor. Dit moet gebeuren met de pomp en alle interne elektrische componenten in bedrijf. De pompmotor moet te allen tijde over de volle spanning beschikken.

BEDIENING

- Controleer het waterpeil in de tank. Zorg dat de afsluiters geopend zijn en de zeven en beluchters schoon zijn.
- Open alle kranen (warm en koud).
- Schakel de stroom in om te pompen.
- Sluit elke kraan wanneer er een constante waterstroom uit komt (eerst de koudwaterkraan).
- Kijk naar de pomp. Controleer of de pomp stopt zodra alle kranen dicht zijn.
- De pomp is nu klaar voor automatische werking. De pomp start wanneer er een kraan wordt geopend en stopt wanneer de kraan wordt gesloten.
- Schakel de stroomtoevoer naar de pomp uit en open de kraan om de systeemdruk te ontlasten alvorens aan te sluiten op de openbare waterleiding of in de haven en wanneer de pomp onbewaakt wordt achtergelaten.

ONDERHOUD

WINTERBERGING. Jabsco-pompen zijn dankzij de unieke pulsdemper bestand tegen ijswater zolang het systeem niet onder druk staat voordat het water bevriest. Om onvoorziene schade te voorkomen, moet het volledige watersysteem tijdens de winterberging tegen bevriezing worden beschermd. Hiervoor moet het systeem volledig worden afgetapt zoals hieronder beschreven of volgens de aanwijzingen van de vaartuigfabrikant:

1. Open alle kranen en afvoeren en pomp de watertank en invoerleiding leeg met de pomp. Laat de pomp 1 à 2 minuten leeg draaien en schakel ze dan uit.
2. Zet alle afvoeren open en blaas lucht door de openbare waterleidingtoevoer. Voorzie voldoende tijd om de boiler te laten leeglopen.
3. Maak de afvoer- en invoerslangen los van de pomp. Start de pomp en laat hem draaien tot al het water uit de unit is verwijderd. (Droogdraaien zal de pomp niet beschadigen).
4. Maak de slangen weer vast, sluit de afvoeren en laat de kranen open staan. Het waterverdeelsysteem is nu droog en klaar voor de winterberging.

Als alternatief kunt u antivries in het drinkwatersysteem doen. Volg de aanwijzingen van de antivriesfabrikant.

⚠️ VOORZICHTIG GEBRUIK GEEN ANTIVRIES VOOR AUTO'S. DAT IS GIFTIG. DERGELIJK ANTIVRIESMIDDEL GEBRUIKEN KAN ERNSTIG INWENDIG LETSEL OF ZELFS DE DOOD TOT GEVOLG HEBBEN.

HET AFSLUITERSAMENSTEL VERVANGEN - zie figuur 3.

1. Verwijder de motor en de vier bevestigingsschroeven van de tussenas. Til de tussenas op zodat de afsluiters zichtbaar zijn.
2. Til de afsluiters uit de holtes. Verwijder alle vreemde stoffen van de afsluiters en de zittingen. Inspecteer de rubberen tongen op groeven.
3. Plaats de afsluiters in dezelfde holtes en zorg dat de rubberen afsluiter met gaatje BOVENAAN zit bij de invoer en de rubberen afsluiter zonder gaatje ONDERAAN ligt bij de afvoer.

OPMERKING: Gebruik de afsluiter met het gaatje in het rubber niet aan de afvoerkant van de pomp want dan werkt de pomp niet goed.

4. Plaats de motor terug en haal de riem niet te strak aan.

MEMBRAAN DRIJFSTANG VERVANGEN - zie figuur 3.

1. Verwijder de motor en de vier bevestigingsschroeven van de tussenas en het bevestigde membraan van het pomphuis.
2. Leg het membraan bloot door de twee membraanopsluitschroeven en de slijpboring te verwijderen.
3. Verwijder de membraanschroef om het membraan, de plaatjes en sluit-/afstandsring van de drijfstang te scheiden. Inspecteer het membraan op groeven en breuken.
4. Verwijder de opsluitmoer om de drijfstang en de tussenas te scheiden.
5. Zorg bij het hermonteren dat het membraan en de drijfstang zijn uitgelijnd zodat de stang recht op de tussenas schuift en het membraan dwars op de membraanboring rust.
6. Plaats de motor terug en haal de riem niet te strak aan.

PULSDEMPERS VERVANGEN - zie figuur 3.

1. Verwijder de 9 schroeven van de bodemplaat en de 3 schroeven van de kleine bodemplaat. Breng op de onderkant van de kleine plaat een markering aan voor juiste hermontage.
2. Trek de rubberen pulsdempers uit de basis. Inspecteer de dempers op buitensporige vervorming, breuken en kerven.
3. Controleer bij installatie van een nieuwe grote pulsdemper of de metalen schroefhuls tussen het gat in het midden en de schroefingang in het voetstuk zit. Zorg dat de flenzen van beide pulsdempers goed zijn geplaatst voor een goede water- en luchtdichting.

SCHAKELAAR VERVANGEN - WERKWIJZE A - zie figuur 3.

Directe vervanging van schakelaar met wormschroef direct in pomphuis.

1. Haal de voedingskabels uit de schakelaar en verwijder de schakelaar uit de pomp.
2. Bevochtigt de rubberen zijde van de sluitring met water. Leg de sluitring op de schroefdraden van de schakelaar met de metalen zijde van de sluitring naar de schakelaar gericht. Breng een dun laagje afdichtmiddel aan op de nieuwe schroefdraden van de schakelaar. Zorg dat er geen afdichtmiddel in de doorvoer komt.
3. Schroef de nieuwe schakelaar op de pompvoet-/behuizing tot hij strak aansluit.
4. Sluit de voedingskabels aan op de schakelaar.

MOTOR VERVANGEN - zie figuur 3.

1. Maak de motor los door de twee motormoeren te verwijderen.
2. Maak de stelschroef los om de kleine riemschijf van de motoras te halen.
3. Stel bij hermontage de riemspanning zo in dat de riem tussen de riemschijven 1/4" (6 mm) kan worden ingedrukt nadat de motormoeren zijn aangedraaid.

De riem niet te strak aandraaien.

⚠️ VOORZICHTIG ELEMENTEN KUNNEN INCOMPATIBEL ZIJN - UITSLUITEND VOOR WATER.

⚠️ VOORZICHTIG BIJ LANGDURIG GEBRUIK KAN HET MOTORVOETSTUK WARM WORDEN. LANGDURIG CONTACT MET DE HUID KAN BRANDWONDEN VEROORZAKEN.

SE

36950-2-serien

JABSCO

a xylem brand

ELEKTRISKA VATTENSYS-
TEMPUMPOR

Automatisk för flera avlopp

FUNKTIONER

- Självprimande
- Diafragmakonstruktion tillåter torrdrift
- Inbyggd utloppskontrollventil
- Tyst drift
- Inbyggd hydraulisk pulseringsdämpare
- Stora vibrationsabsorberande dynor
- Portar tillgängliga med hulling, gängor eller uppflänsning
- Uppfyller kraven USCG Regulation 183.410 och ISO 8846 MARINE för antändningsskydd

SPECIFIKATIONER

Öppet flöde:	USA GPM	Liter/min	Imp. GPM
Vert. Torr sugningshöjd:	3,0	11,3	2,75
Portar:	5 fot	1,5 m	
Ungef. leveransvikt 36800-serien:	Påskjutbar 1/2" till 5/8" ID-slang		
	11 lb (5,0 kg)		

TILLÄMPNINGAR

Jabscos automatiska vattensystempumpar är konstruerade för fristående fritidsfordon och -båtar med vattensystem med flera avlopp. Systemen är automatiska – kranen öppnas börjar pumpen automatiskt pumpa ett konstant flöde från tank till kran. När du stänger kranen så slås pumpen av automatiskt. Modell 36800 är lämplig för distributionssystem med fem avlopp. Modell 36900 rekommenderas för stora distributionssystem där driften kräver samtidig funktion över flera kranar.

INSTALLATION

Montering

Jabscos diafragmapumpar är självprimande. De kan vara installerade ovanför eller under sötvattenstanken. Pumpen är utrustad med vibrationsdynor som är mest effektiva när pumpen har monterats i upprätt läge på en fast yta.

Rörläggning - Se figur 1.

För att minimera vattentryckfall, bör den inkommande vattenledningen vara minst lika stor som måtten i nedanstående tabell. Ventiler, knän etc. som används bör vara av samma storlek som rören. Använd endast ventiler som öppnas fullständigt (av typ sluss eller kul) valves only. Sötvattenstanken bör vara ventilerad.

MIN. RÖRSTORLEK

Tillförselslangens längd – slang-ID - rörstorlek

Under 1,22 m (48") – 12,7 mm (1/2") 9,5 mm (3/8")

48" (122 cm) eller mer - 5/8" (15,9 mm) 1/2" (12,7 mm)

TRYCKREGULATOR. Vi rekommenderar att system med en anslutning till ledningsvatten bör vara utrustade med tryckreglerande ventil inställd på ca 35 psi. Denna ventil reglerar automatiskt inkommande vattentryck för att undvika pump- och rörledningsskada på grund av allt för högt tryck. Modell 44411-serien (permanent spolningsmontering) och modell 44411-0045 (in-line) av tryckreglerande ventiler rekommenderas för detta ändamål.

SUGFILTER Modell 36400-0000 (sil/filter) rekommenderas. Enheten installeras mellan pump och sötvattenstank. Den bidrar till att förhindra ventiltilltäppning orsakad av främmande material i pumpen.

VATTENRENARE. Många vattenrenare orsakar alltför hög flödesbegränsning, speciellt när elementet har använts under längre tid. När den används för huvudfördelningsledaren, gör den att pumpen cyklar på och av i snabb takt. För att minimera cykling ska du använda en uppsamlingstank mellan pump och renare, installera renaren för att mata ett enda uttag för dricksvatten.

UPPSAMLINGSTANK. Användning av en uppsamlingstank (Jabscos modell 30573-0003 eller 18810-0000) rekommenderas men krävs inte för ett mer effektivt vattendistributionssystem. Den eliminerar "tryckslag", lagrar tryck för att tillåta begränsat bruk av vatten utan omstart av pumpen (önskvärt under natten), säkerställer en konstant, jämn vattenström från kranar längst borta från pumpen och förlänger pumpens livslängd genom minskad snabb start-/stopppdrift.

Ledningsdragning - se fig. 2 och 4.

Ledningarna till pumpen bör dras i en krets som är oberoende av alla andra tillbehör enligt kopplingsschemat.

MOTORSKYDD. Pumpens ledningar bör inkludera en säkring/ett överspänningsskydd i den positiva tråden för att skydda mot överström. Se specifikationstabellen för rätt märkvärde för säkringen.

STRÖMBRYTARE. En strömbrytare bör installeras i kretsen för att slå av pumpen när fordonet eller båten används, lagras eller transporteras eller ansluts till ledningsvatten. Använd den inkluderade röda och vita etiketten som en påminnelse att slå av vattentryckssystemet och öppna kranen för att avlasta trycket när enheten inte används.

VÄXELSTRÖMS-/LIKSTRÖMSOMFORMARE. Växelströms-/likströmsomformare och laddningsaggregat bör installeras så att pumpen alltid drive direkt från batteriet. Om batteriet förbipasseras och omformaren används för att serva pumpen direkt, ska du komma ihåg att den total elbelastningen inte överstiger omformarens amperemärkvärde. Om omformaren överbelastas kan resultatet bli ett lågspänningstillstånd vid pumpen.



⚠ VARNING!
BRANDFARA



Elledningarna måste uppfylla gällande elstandarder och inkluderar korrekt anpassad säkring eller överspänningsskydd. OLÄMPLIGA ELLEDNINGAR ORSAKA BRAND MED PERSONSKADA ELLER DÖD SOM RESULTAT.

SPÄNNINGSKONTROLL. Efter installationen ska du kontrollera spänningen vid pumppmotorn. Spänningen bör kontrolleras när pumpen körs med alla inre elektriska komponenter. Max. spänning måste alltid vara tillgänglig vid pumppmotorn.

DRIFT

- Kontrollera vattennivån i tanken. Säkerställ att ventilerna är öppna och silar och avluftare är rena.
- Öppna alla kranar, varma och kalla.
- Slå på strömmen till pumpen.
- Stäng varje kran när den börjar leverera en jämn vattenström (stäng kallvattenkranen först).
- Observera pumpen. Kontrollera för att säkerställa att pumpen stannar en kort stund efter det alla kranar stängts.
- Pumpen är nu klar för automatisk drift. Den slås på när en kran öppnas och slås av när kranen stängs.
- Slå av strömmen till pumpen och öppna kranen för att avlasta systemtrycket för anslutning av ledningsvatten eller anslutning vid förtöjning och vid obemannig.

UNDERHÅLL

VINTERFÖRVARING. Jabscos pumpar, med deras unika pulseringsdämpare, tål fruset vatten utan skada, under förutsättning att systemet inte är trycksatt när vattnet fryser. För att förhindra oavsiktlig skada, bör hela vattensystemet skyddas mot frysning under vinterförvaring. Detta kräver fullständig avtappning enligt följande anvisningar och/eller fordonstillverkarens instruktioner:

1. Öppna alla kranar och avlopp och låt pumpen tömma vattentankar och intagsledning. Kör pumpen torr i 1 till 2 minuter innan du slår av den.
2. Med alla avlopp öppna, ska du blåsa luft genom ledningsvattnets inlopp. Vänta medan varmvattenberedaren töms.
3. Koppla loss utlopps- och inloppsslangar från pumpen. Starta pumpen och kör den tills allt vatten pumpats från enheten. (Torrkörning skadar inte pumpen).
4. Anslut slangarna på nytt, stäng avloppen och lämna kranarna öppna. Vattendistributionsystemet är nu torrt och redo för vinterförvaring.

En alternativ metod är att använda en lösning med frostskyddsmedel i dricksvatten. Följ frostskyddsmedelstillverkarens instruktioner.

⚠ VAR FÖRSIKTIG! ANVÄND INTE FROSTSKYDDSMEDEL FÖR BILAR. DET ÄR GIFTIGT.

ANVÄNDNING AV DETTA SLAGS FROSTSKYDDSMEDEL LEDER TILL ALLVARLIG ORGANSKADA ELLER DÖD.

BYTE AV VENTILENHET - se fig. 3.

1. Avlägsna motorn och fyra fastsättningskruvar för mellanaxeln. Lyft mellanaxelenheten för att blotta ventilerna.
2. Lyft ventilerna från urtagen. Rengör främmande material från ventiler och säten. Inspektera gummiklaffarna för skär.
3. Ominstallera ventilerna i samma fickor och se till att gummiventilen med ett litet hål är UPP och gummiventilen utan ett litet hål NED i förhållande till avloppet.
OBS! Använd inte en ventil med ett litet hål i gummit på pumpens utloppssida eftersom detta gör att pumpen inte fungerar på avsett sätt.
4. Montera motorn tillbaka utan att dra på remmen för hårt.

BYTE AV DIAFRAGMA OCH VEVSTAKE - se fig. 3.

1. Avlägsna motorn och fyra fastsättningskruvar för mellanaxeln och luft sedan mellanaxeln och den fastsatta diafragmaenheten från pumpens fundament.
2. Blotta diafragman genom att avlägsna två diafragmafästskruvar och lossa hållaren.
3. Avlägsna diafragmaskruven för att separera diafragma, plåtar och bricka/distans från vevstaken. Inspektera diafragman för skär och rupturer.
4. Avlägsna låsmuttrarna för att separera vevstaken från mellanaxeln.
5. Vid återmontering ska du komma ihåg att rikta in diafragman och vevstaken så att staken glider direkt in i mellanaxeln och diafragman vilar rakt på diafragmahållaren.
6. Montera motorn tillbaka utan att dra på remmen för hårt.

BYTE AV PULSERINGSDÄMPARE - se fig. 3.

1. Avlägsna nio skruvar från bottenplåten och tre skruvar från den lilla bottenplåten. Markera botten på den lilla plåten för korrekt återmontering.
2. Dra ut gummipulseringsdämparna från fundamentet. Inspektera för omfattande deformation, rupturer och skär.
3. När du installerar en ny stor pulseringsdämpare, ska du kontrollera att dess metallskurvledare och placerad mellan mitthålet och skruvhålet i fundamentet. Säkerställ att flänsarna på båda pulseringsdämparna sitter ordentligt för att skapa en god vatten- och lufttätning.

BYTE AV BRYTARE – PROCEDUR A - se fig. 3.

Direkt byte av brytare med gängad stam direkt in i pumpkroppen.

1. Koppla från elledningarna från brytaren och avlägsna brytaren från pumpen.
2. Fukta brickans gummisida med vatten. Trä brickan på brytarens gängor med brickans metallsida mot brytaren. Applicera ett tunt skikt tätningssmassa på den nya brytarens gängor. Håll massan borta från passeringshålet.
3. Skruva in den nya brytaren i pumpfundamentet/-kroppen ordentligt.
4. Anslut elledningarna till brytaren.

MOTORBYTE - se fig. 3.

1. Avlägsna två motormuttrar för att separera motorn.
 2. Lossa fästskruven för att avlägsna den lilla remskivan från motoraxeln.
 3. När du monterar enheten tillbaka ska du justera remspänningen så att remmen mellan remskivorna kan tryckas nere 1/4 tum efter det att motormuttrarna har dragits åt.
- Dra inte åt remmen för hårt.

⚠ VAR FÖRSIKTIG! POTENTIELL KOMPLEMENTKOMPATIBILITET – ENDAST FÖR VATTEN.

⚠ VAR FÖRSIKTIG! MOTORFUNDAMENTET KAN BLI HETT UNDER LÅNGVARIG DRIFT. LÅNGVARIG HUDKONTAKT KAN LEDA TILL BRÄNSKADA.



a xylem brand

BOMBAS ELÉCTRICAS PARA SISTEMAS DE AGUA

Descarga múltiple automática

CARACTERÍSTICAS

- Auto cebado.
- El diseño del diafragma permite el funcionamiento en seco.
- Válvula de retención de descarga integrada.
- Operación silenciosa.
- Humidificador de pulsación hidráulico integrado.
- Almohadillas de absorción para vibración de tamaño grande.
- Aberturas dentadas, con rosca o acampanadas disponibles.
- Cumple con la regulación 183.410 de USCG e ISO 8846 MARINE para la protección de la ignición.

ESPECIFICACIONES

	GPM EE.UU.	Litros por min.	Imp. GPM
Flujo abierto:	3,0	11,3	2,75
Elevación de succión vertical en seco:	5 pies ó	1,5 m.	
Lumbreras:	Conectores de manguera con un D.I. de 1/2" a 5/8".		
Peso aproximado de embarque, Serie 36800:	11 lb (5,0 kg)		

APLICACIONES AQUÍ

Las bombas Jabsco de sistema automático para agua están diseñadas para vehículos y lanchas recreacionales de fabricación integral con múltiples sistemas de salida de agua. Los sistemas son automáticos, cuando se abre uno de los grifos, la bomba comienza a operar instantáneamente para proporcionar un flujo constante del tanque al grifo. Al cerrar el grifo, la operación de la bomba se detiene automáticamente. El Modelo 36800 es adecuado hasta para cinco sistemas de distribución de descarga. El Modelo 36900 se recomienda para sistemas de distribución grandes donde el trabajo requiere una operación simultánea para múltiples grifos.

INSTALACIÓN

Montaje

Las bombas de diafragma Jabsco incluyen auto cebado. Se pueden colocar arriba o abajo del tanque de agua potable. La bomba está equipada con almohadillas para vibración que son más efectivas cuando la bomba se monta en posición vertical sobre una superficie sólida.

Tuberías y accesorios - Ver la figura 1.

Para minimizar una baja de presión, el tamaño de la línea de suministro de agua no debe ser menor que los tamaños que muestra la tabla de abajo. Las válvulas, codos, etc. que se usen deben ser del mismo tamaño de la tubería. Use válvulas que se abran totalmente (de compuerta o de bola). El tanque de agua potable debe estar ventilado.

TAMAÑO MÍNIMO DE TUBERÍAS

Longitud de la línea de abastecimiento – Diámetro interno de las mangueras - Tamaño de la tubería

Menos de 1,22 m (48") – 12,7 mm (1/2") 9,5 mm (3/8")

48" (122 cm) o más - 5/8" (15,9 mm) 1/2" (12,7 mm)

REGULADOR DE PRESIÓN. Se recomienda que los sistemas que tengan una conexión de entrada para agua de la red urbana se equipen con un juego de válvulas de retención reguladoras de presión ajustadas para 35 psi aproximadamente. Esta válvula regula automáticamente la presión de la entrada del agua para evitar daños a la bomba y la tubería debido a un exceso de presión. Se recomienda el Modelo de la serie 44411 (instalación permanente sobre una superficie plana) y el Modelo 44411-0045 (en la línea) de válvulas reguladoras de presión para este propósito.

FILTRO DE SUCCIÓN. Se recomienda se instale el Modelo 36400-0000 (depurador o filtro) entre la bomba y el tanque de agua. Ayuda a prevenir que se bloqueen las válvulas debido a impurezas que lleguen a introducirse en la bomba.

PURIFICADOR DE AGUA. Muchos purificadores de agua ocasionan una restricción excesiva del flujo, especialmente cuando la unidad ha estado en uso por algún tiempo. Cuando se usa en la línea de distribución principal, causa que el ciclo de la bomba inicie y termine rápidamente. Para minimizar estos ciclos, use un tanque de almacenamiento entre la bomba y el purificador o instale un purificador para alimentar una sola toma para agua potable solamente.

TANQUE DE ALMACENAMIENTO. Aunque no es necesario, se recomienda el uso de un tanque de almacenamiento (Modelo 30573-0003 ó 18810-0000 de Jabsco) para que el sistema de distribución de agua sea más eficiente. El tanque elimina el "golpe de agua", guarda la presión para permitir un uso limitado de agua sin que la bomba se encienda de nuevo (conveniente para evitar que suceda durante la noche), asegura un flujo constante y regular de agua en los grifos a mayor distancia de la bomba y prolonga la vida de la bomba al reducir la operación rápida de encendido y apagado.

Conexiones eléctricas - Ver las Figuras 2 y 4.

La bomba debe estar conectada a un circuito independiente de todos los demás accesorios de acuerdo al diagrama de conexiones.

PROTECCIÓN DEL MOTOR. La instalación eléctrica de la bomba debe incluir un fusible o disyuntor en la toma de conexión positiva como protección contra una sobrecarga de corriente. Consulte la tabla de especificaciones para ver la potencia nominal apropiada para el fusible.

INTERRUPTORES. Se debe instalar un interruptor de encendido y apagado en el circuito para apagar la bomba cuando el vehículo o lancha se encuentre desatendido, guardado o en tránsito, o conectado a la red de suministro de agua urbana. Use la etiqueta roja y blanca que viene incluida como recordatorio para cerrar el sistema de presión de agua y abrir el grifo para descargar la presión cuando se encuentre sin supervisión.

CONVERTIDORES DE ENERGÍA AC-DC Los equipos de convertidor y cargador AC-DC se deben conectar para que la bomba opere en todo momento directamente con la carga de la batería. Si no se conecta a la batería y el convertidor se usa para alimentar a la bomba directamente, asegure que el total de las cargas eléctricas no sobrepase la capacidad nominal en amperios. Sobrecargar el convertidor podría resultar en una condición de bajo voltaje para la bomba.


ADVERTENCIA
PELIGRO DE INCENDIO


Las conexiones deben cumplir las normas eléctricas aplicables e incluir un fusible o disyuntor de tamaño apropiado. UNA CONEXIÓN INCORRECTA PUEDE ORIGINAR INCENDIOS QUE PUEDEN CAUSAR LESIONES O MUERTE.