



## SEASTAR PRO OUTBOARD

### APPLICATIONS

Seastar Pro is for high-performance boats with single non-power-assisted outboards up to 350 HP, especially those capable of speeds over 65 MPH, which demand maximum steering control and comfort. It is suitable for use with high-performance propellers and jack plates.

### FEATURES

- Patented steering lock valves.
- Low friction hydraulic steering system.
- 4.25 turns from lock-to-lock.
- Compact helm has only a 4-7/16" footprint – needs only 3" dash hole (tilt requires larger hole).
- Optional SeaStar Pro cylinders with longer shaft bushings and even larger pivot bushings for an even more 'solid feel'.
- Factory swaged hoses are Kevlar® reinforced.
- Packaged complete with helm, cylinder, fittings, oil, bleeder kit and detailed instructions.
- Standard 3/4" tapered steering shaft.



SeaStar PRO Outboard Steering systems are suited for all those critical high speed, single powered outboard boats, like Bass, Flats, combo Race/Ski and other performance orientated boats capable of speeds in excess of 65mph. Before ordering it is necessary to determine the proper cylinder and helm pump for your application. See application guide below. All SeaStar PRO systems require the use of a SeaStar PRO helm and SeaStar PRO (1500psi) reinforced Kevlar hoses with All SeaStar PRO systems.

### APPLICATION GUIDE

MFG	YEAR	MODEL	CYLINDER	NOTES
Honda	1996-Date	150-300hp	HC5345-3	Not available for BF series engines.
Johnson / Evinrude	1977-1990	150-300hp	N/A	
	2002-Date	150-250hp 4-Stroke	HC5345-3	
	2003-Date	150-300hp Etech	HC5345-3	
	2005-Date	E250hp Vindicator	N/A	
Mercury	1989-Date	150-300hp 2-Stroke, 4-Stroke and XS Engines	HC6345-3	
Suzuki	1986-Date	150-300hp 2 and 4-Stroke	HC5345-3	Includes ALL models.
Yamaha	1986-Date	150-350hp 2 and 4-Stroke	HC5345-3	

#### WARNING:

SeaStar PRO Steering Helms can not be used with an unbalanced steering cylinder.

Issue Date - March 2015

Issue Number - hos7



Learn More



[www.seastarsolutions.com](http://www.seastarsolutions.com)

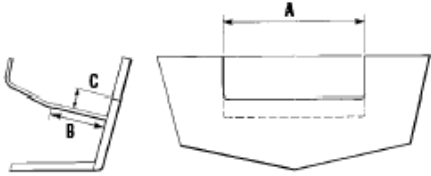
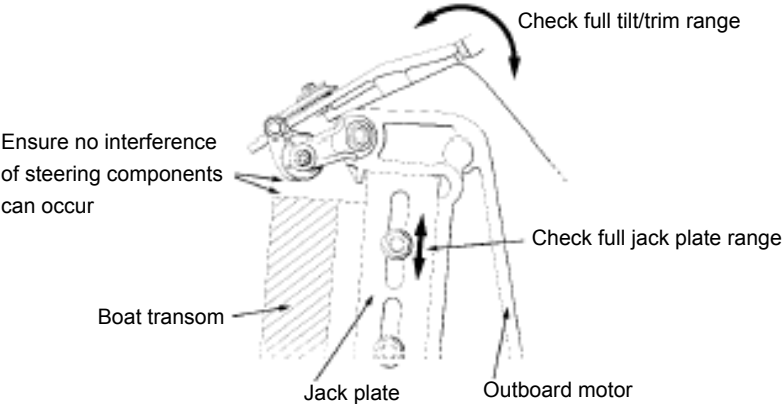
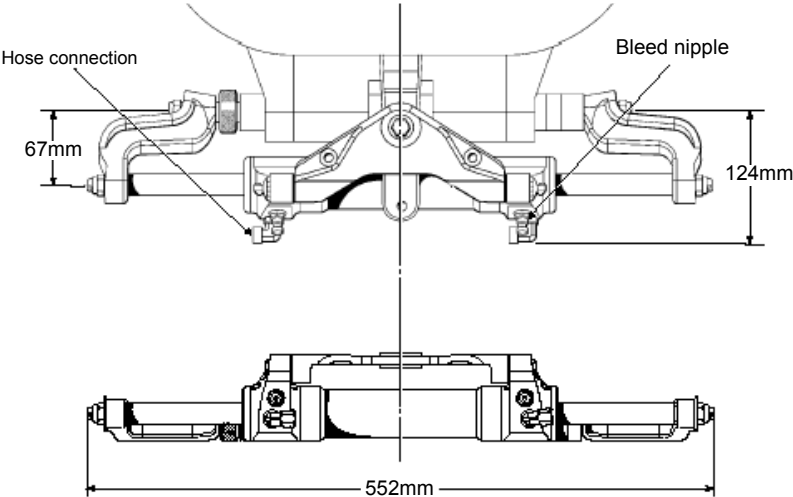






### TECHNICAL DATA

### Cylinder Dimensions



Motor Well dimensions required for front mount outboard steering systems.

NO. ENGINES	1A	B	C	MINIMUM ENGINE CENTER DISTANCE
1	22" (559mm)	6" (152mm)	5" (127mm)	N/A
2	49" (1244mm)	6" (152mm)	5" (127mm)	26" (660mm)