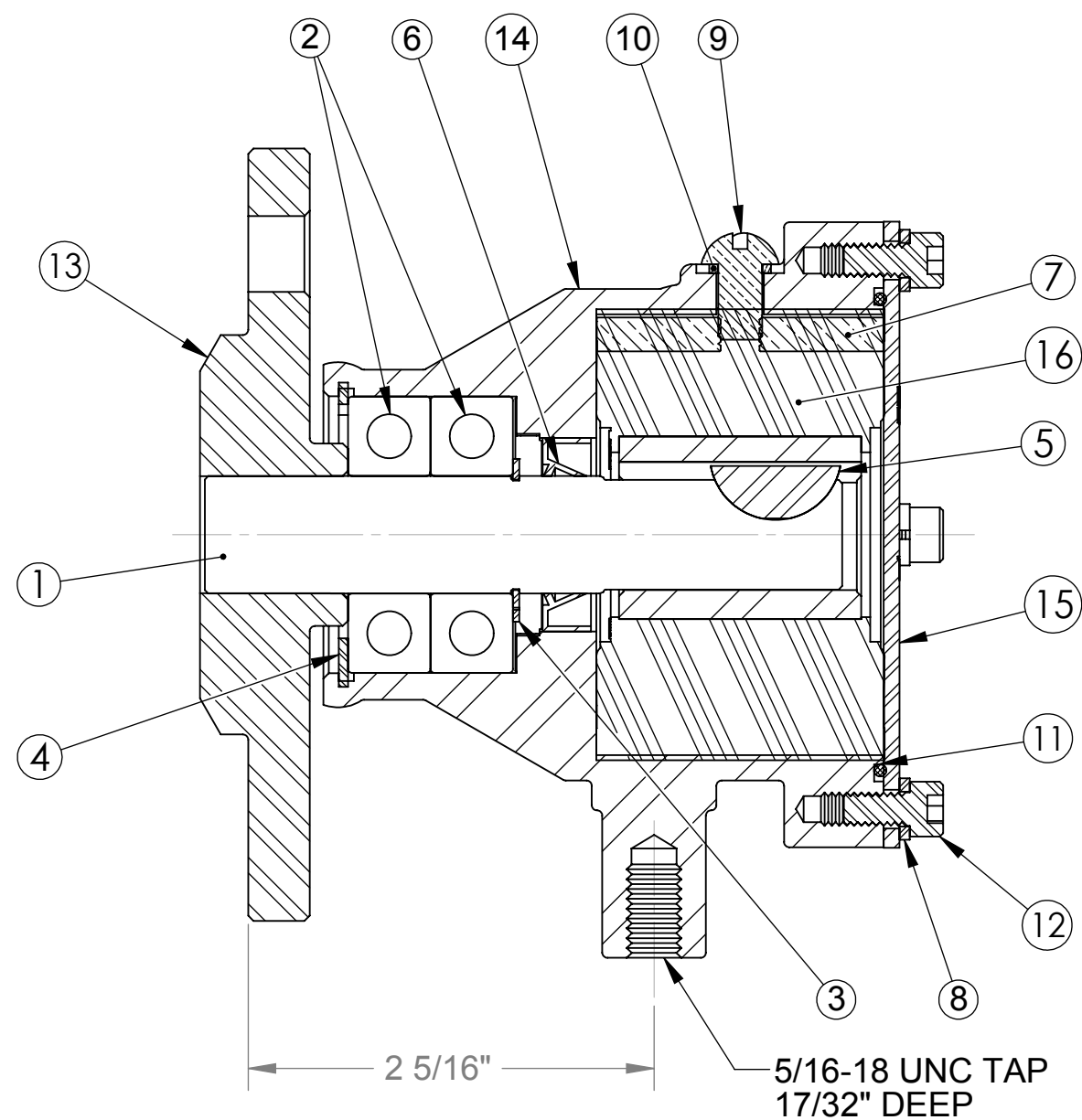
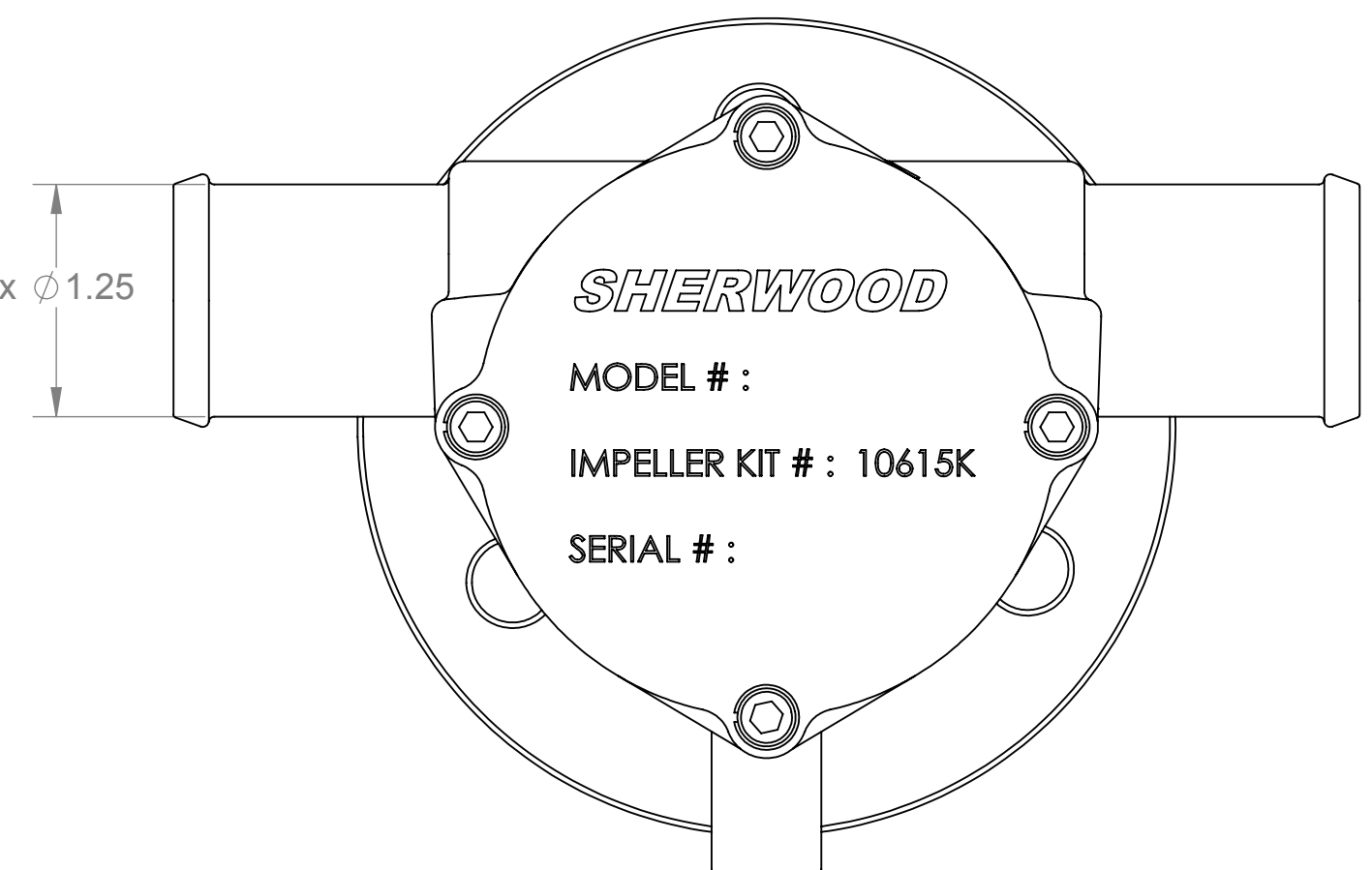
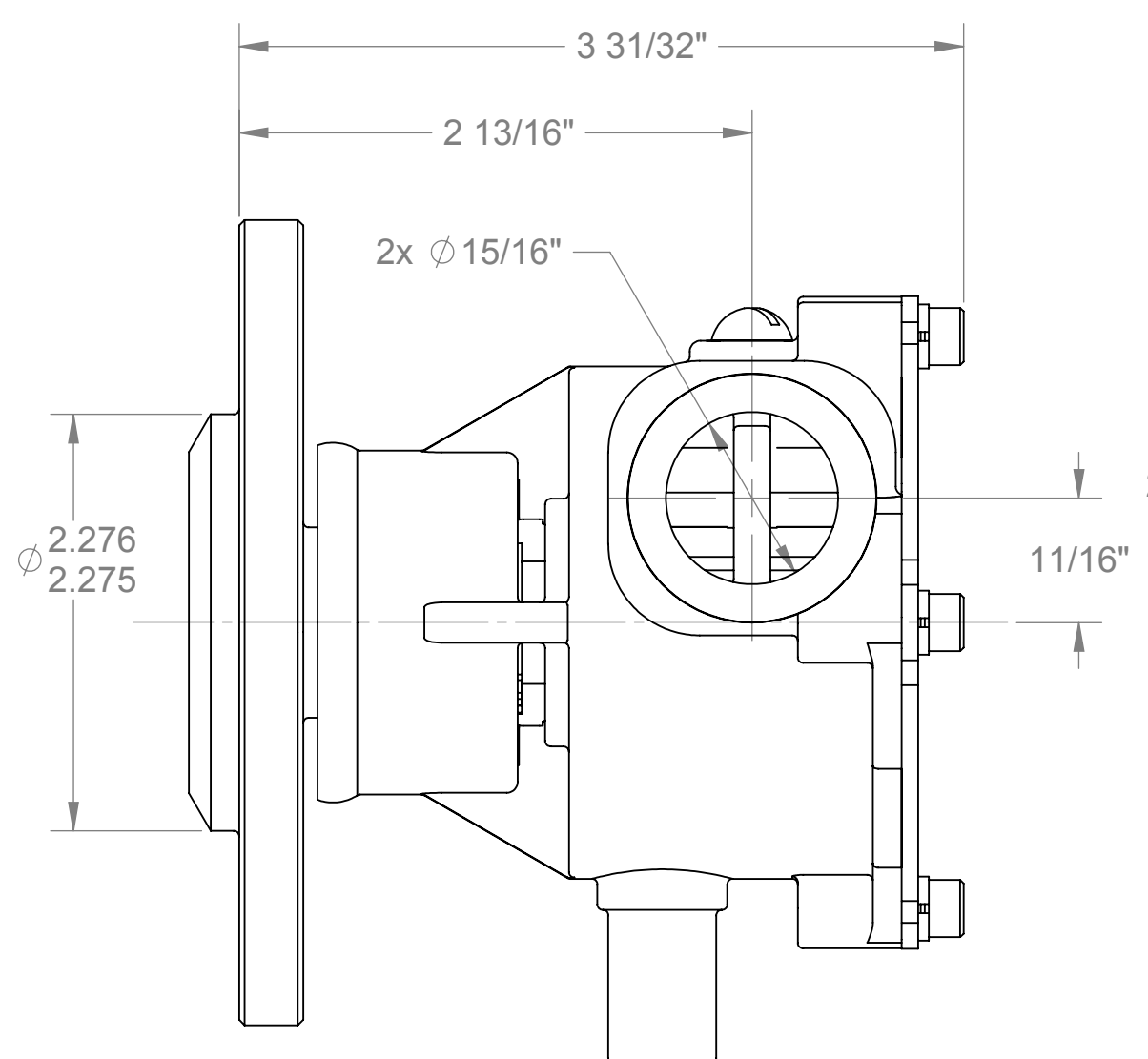
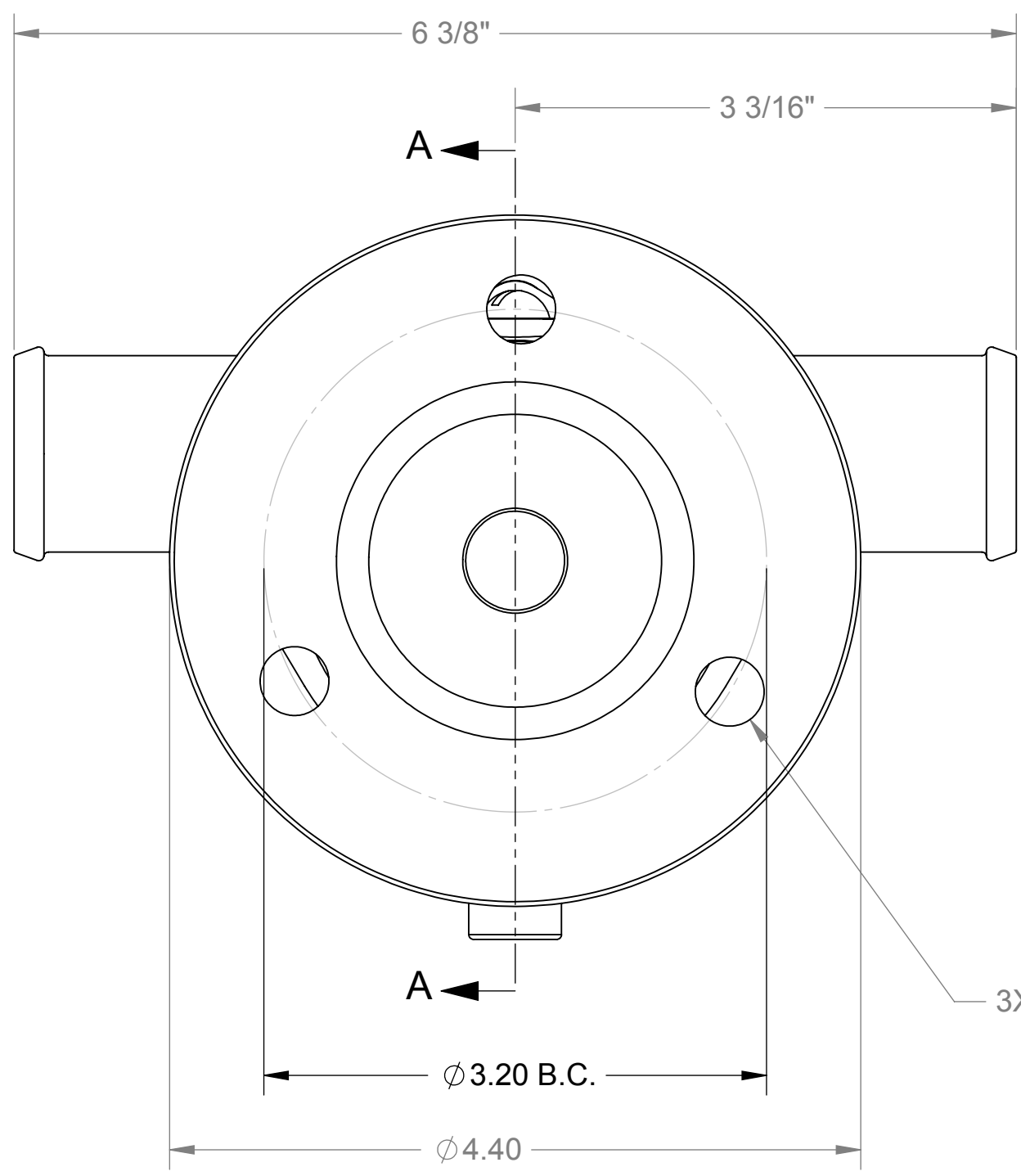


ITEM NO.	PART NUMBER	DESCRIPTION	QTY.
1	19308	SHAFT	1
2	08490	BEARING	2
3	06837	RET. RING	1
4	05126	RET. RING	1
5	04432	NON-ROCKING WOODRUFF KEY	1
6	18652	SEAL, LIP	1
7	10944	CAM	1
8	00343	LOCK WASHER	4
9	19995	SCREW 1/4-20 ROUND HD	1
10	19996	CAM WASHER	1
11	12231	O-RING	1
12	2220-0099	SHCS #10-24UNC x 3/8	4
13	23854	ADAPTER	1
14	23791	BODY	1
15	21120	COVER PLATE	1
16	10615	RUBBER IMPELLER	1



NOTES:

1. APPLY SIL-GLYDE TO SEAL, LIP I.D. PRIOR TO SHAFT INSTALLATION.
2. APPLY BEAD OF PERMATEX AROUND CAM SCREW THREADED HOLE PRIOR TO ASSEMBLY.
3. USE COOLANT TO AID IN INSTALLATION OF RUBBER IMPELLER.
4. TEST PUMP WITH VALVE OPEN FOR ONE MINUTE, THEN PRESSURIZE PUMP TO 20-30 PSI TO CHECK LIP SEAL FOR LEAKS.
5. STAMP "P110", AND "DATE CODE" ON COVER PLATE.



REV.	ECN.	DESCRIPTION	APPROVED	DATE
D	7070	REMOVED NOTE 1 "ADD PERMATEX TO LIP SEAL OD"	TW	9/9/08
C	6195	ADDED AND REVISED NOTES	DV	3/27/2007
B	4402	RE-INSTATE FOR PRODUCTION	DV	9/8/2004
A	E1109	RELEASE FOR PRODUCTION	DV	9/14/2000

SHERWOOD
 A Div. of Hypro Corporation A PENTAIR COMPANY
 375 Fifth Avenue NW, New Brighton, MN 55112, (651) 766-6300

REPLACES PART NO. _____ REV. _____

DWG BY: DV DATE: 6/14/2000

CHECKED BY: _____ DATE: _____

APPROVED BY: _____ DATE: _____

THIS DRAWING IS THE PROPERTY OF HYPRO, AND WITHOUT WRITTEN AUTHORIZATION, MUST NOT BE COPIED OR COMMUNICATED

PART DESCRIPTION: RUBBER IMPELLER PUMP

SCALE: 1:1 SHEET NUMBER: 1 OF 1

PART NUMBER: **P110** REV. **D**