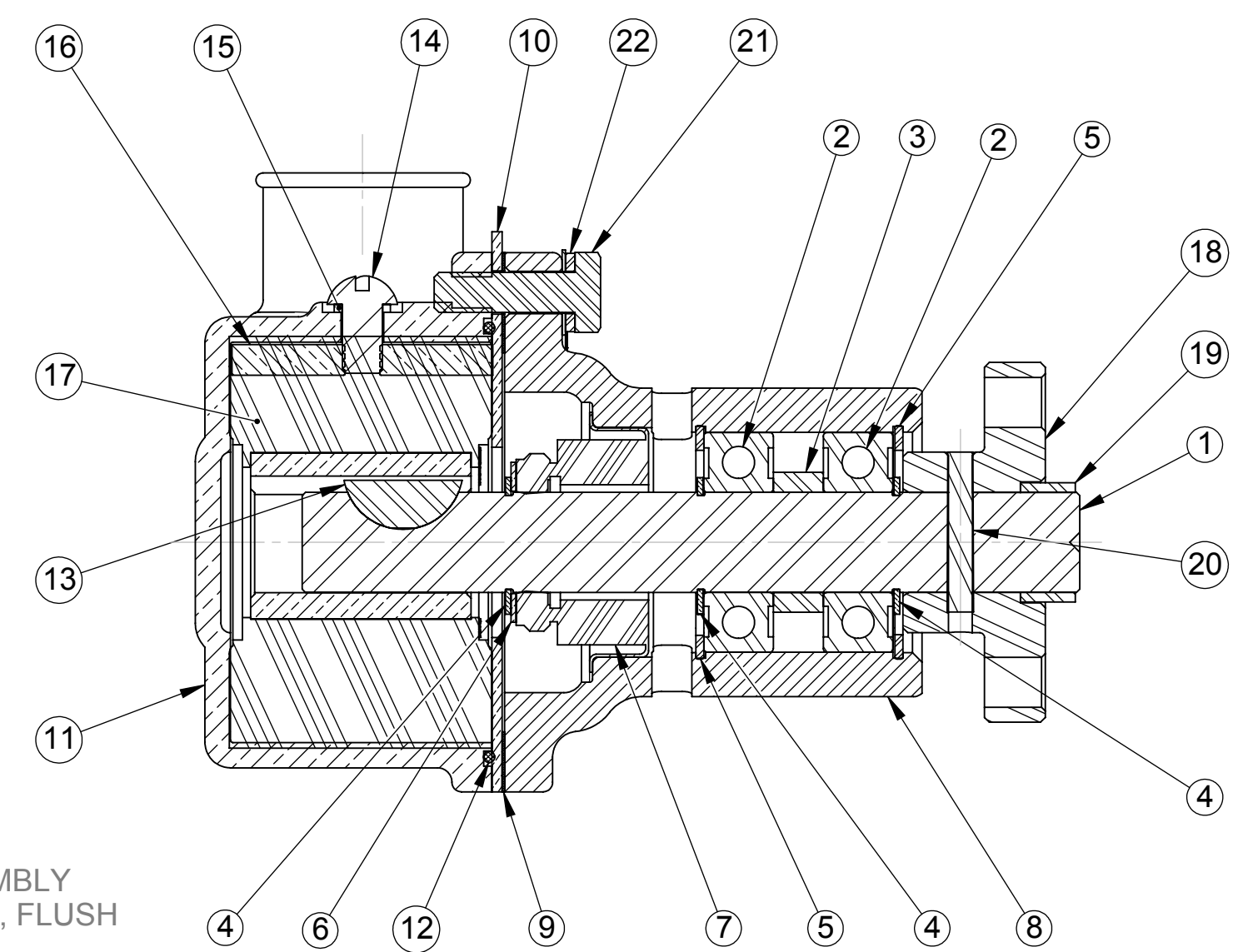
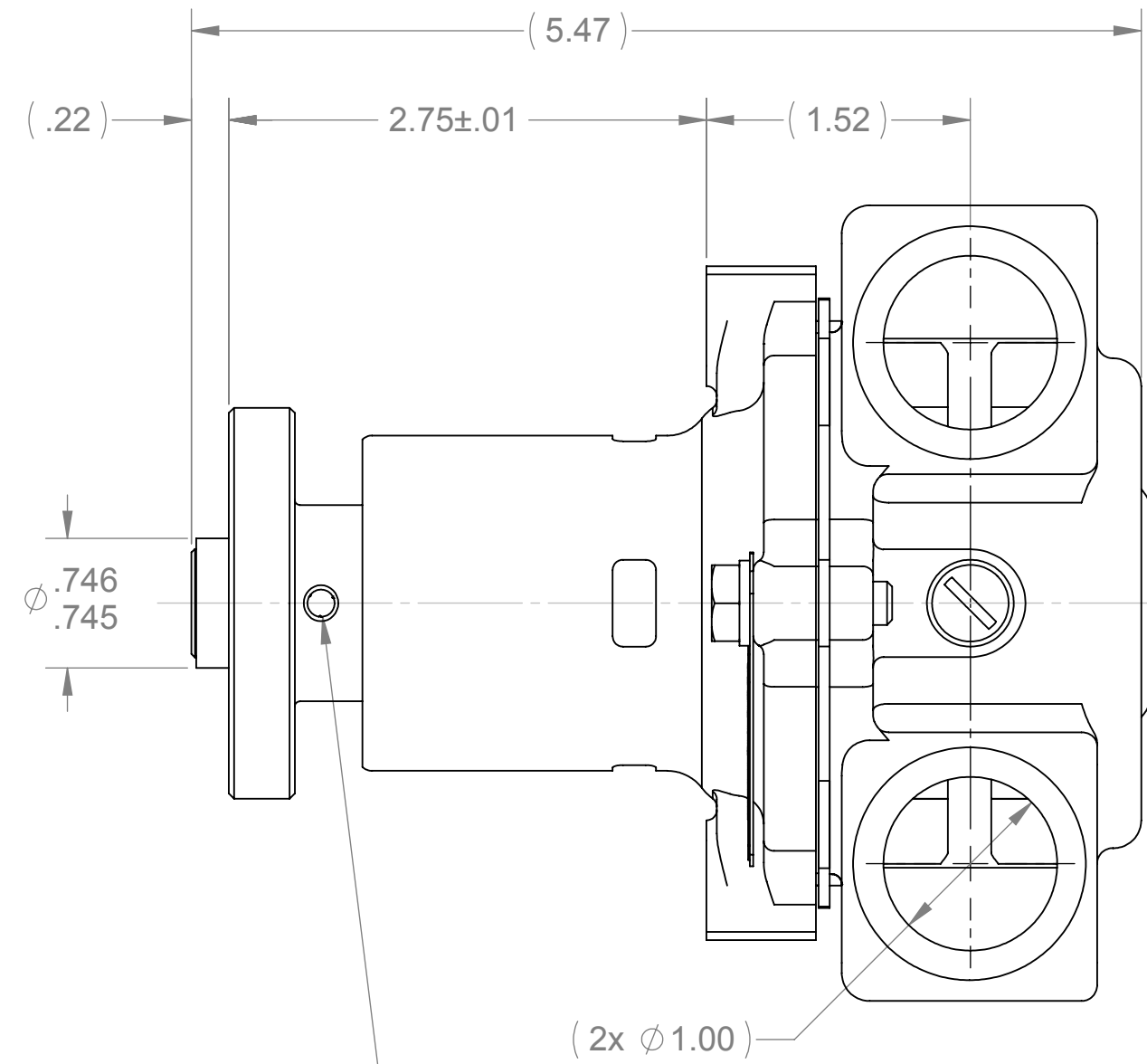


| ITEM NO. | PART NUMBER | DESCRIPTION            | QTY. |
|----------|-------------|------------------------|------|
| 1        | 12596       | SHAFT                  | 1    |
| 2        | 12211       | BALL BEARING           | 2    |
| 3        | 05133       | SPACER                 | 1    |
| 4        | 04258       | EXT. RETAINING RING    | 3    |
| 5        | 04259       | INT. RETAINING RING    | 2    |
| 6        | 04264       | FLAT WASHER            | 1    |
| 7        | 12314       | TYPE 6A SEAL/SEAT ASSY | 1    |
| 8        | 12328       | BODY - MACHINED        | 1    |
| 9        | 12855       | GASKET                 | 1    |
| 10       | 12856       | WEAR PLATE             | 1    |
| 11       | 12907       | HOUSING - MACH         | 1    |
| 12       | 12231       | O-RING                 | 1    |
| 13       | 04432       | WOODRUFF KEY           | 1    |
| 14       | 19995       | SCREW 1/4-20 ROUND HD  | 1    |
| 15       | 19996       | CAM WASHER             | 1    |
| 16       | 10944       | CAM                    | 1    |
| 17       | 10615       | RUBBER IMPELLER        | 1    |
| 18       | 12926       | HUB                    | 1    |
| 19       | 12927       | SLEEVE - SHAFT         | 1    |
| 20       | 09420       | TAPER GROOVE PIN       | 1    |
| 21       | 12857       | 1/4-20 HHCS            | 3    |
| 22       | 12710       | LOCKWASHER             | 3    |
| 23       | 13285       | TAG                    | 1    |
| 24       | 23083       | LABEL                  | 1    |

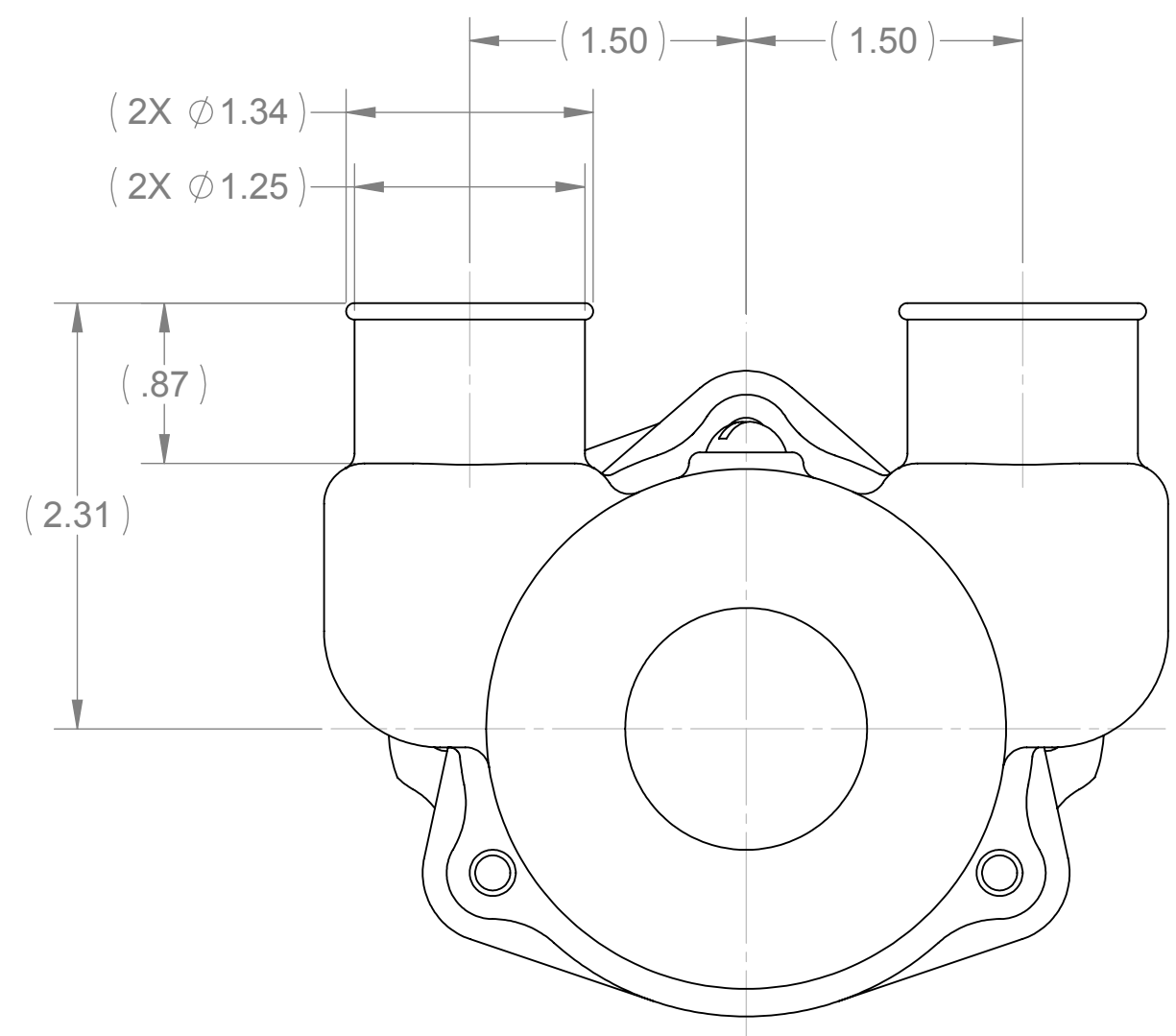
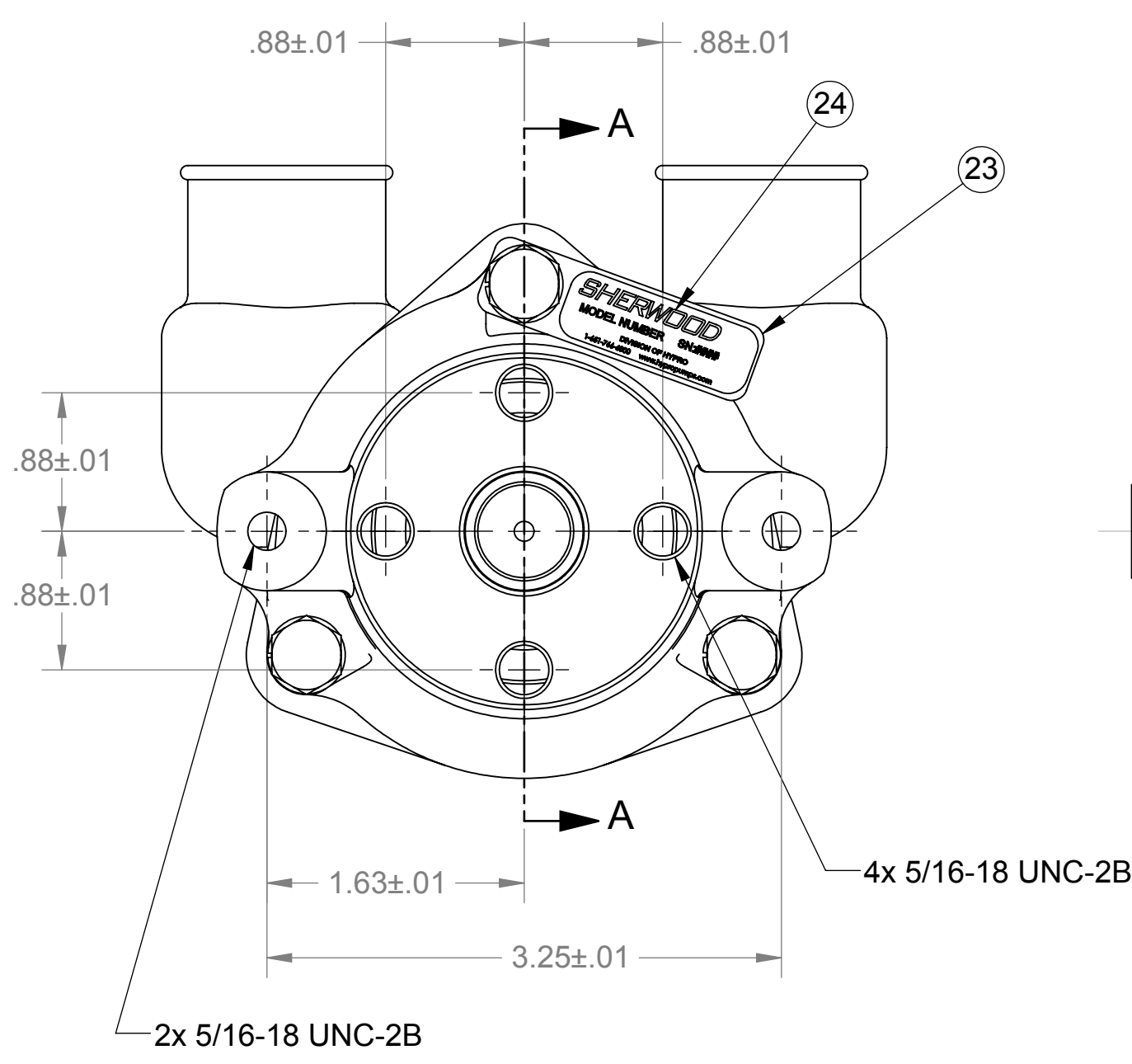


**SECTION A-A**

Ø 5/32" DRILL THRU TO OTHER SIDE AT ASSEMBLY  
DEBURR. PRESS TAPER GROOVE PIN, ITEM 19, FLUSH

**NOTES:**

1. APPLY BEAD OF PERMATEX AROUND THREADED HOLE IN CAM PRIOR TO ASSEMBLY, (ITEM 16).
2. USE WATER ONLY WHEN INSTALLING TYPE 6A SEAL/SEAT ASSY, (ITEM 7).
3. USE COOLANT TO AID IN INSTALLATION OF RUBBER IMPELLER, (ITEM 17).
4. TORQUE 1/4-20 HHCS TO 5 - 8 FT/LBS, (ITEM 21).
5. PRESSURE TEST PUMP TO 20 - 30 PSI.
6. PRINT "G55" AND "DATE CODE" ON LABEL, (ITEM 24).



| REV. | ECN. | DESCRIPTION   | CHKD. | DATE       |
|------|------|---|-------|------------|
| M    | 6830 | CHANGED 12926 FROM SQUARE TO ROUND, UPDATED DRAWING   | PEB   | 5/9/2008   |
| L    | 6527 | REMOVED 12256 SEAT ASSY, & 10515C CAM SCREW ASSY. ADDED 19995 CAM SCREW & 19996 CAM WASHER. NOTE 2 WAS "USE PAC-EASE OR EQUIV". REDIMENSIONED | PEB   | 11/15/2007 |
| K    | 6195 | ADDED NOTES, REDRAWN ON NEW FORMAT  | PB    | 6/15/2007  |

**SHERWOOD**  
A Div. of Hypro Corporation A PENTAIR COMPANY  
375 Fifth Avenue NW, New Brighton, MN 55112, (651) 766-6300

DRAWING BASED ON ASME Y14.5M-1994 DO NOT SCALE PRINT

THIRD ANGLE PROJECTION

SCALE 1:1 SHEET NUMBER 1 OF 1

PART DESCRIPTION **RUBBER IMPELLER PUMP**

REPLACES PART NO. \_\_\_\_\_ REV. \_\_\_\_\_

DWG BY: BK DATE: 1/6/1978

CHECKED BY: AVB DATE: 3/14/1989

APPROVED BY: \_\_\_\_\_ DATE: \_\_\_\_\_

THIS DRAWING IS THE PROPERTY OF HYPRO, AND WITHOUT WRITTEN AUTHORIZATION, MUST NOT BE COPIED OR COMMUNICATED

PART NUMBER **G55-2** REV. **M**