



MARINE PARTS EUROPE

VOLVO PENTA

Login

Show prices: Excl VAT Incl VAT

Search:

OK

You are here: Volvo Penta spare parts > Gasoline Engines > AQ200B, AQ225B > Transmissions > Intermediate Housing AQ Drive Unit 280

Volvo Penta Exploded view / schematic Intermediate Housing AQ Drive Unit 280

SHOPPING CART

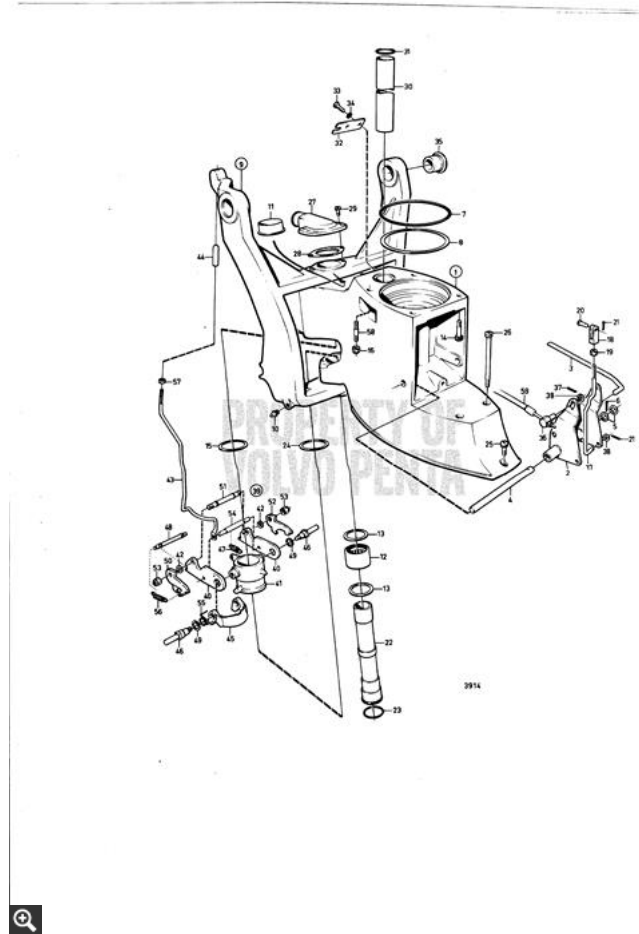
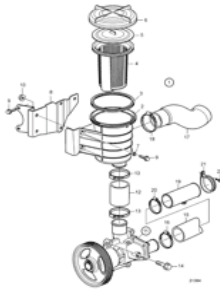
Your shopping cart is currently empty.
Order by Part No

VOLVO PENTA

- Volvo Penta spare parts
 - Diesel Engines
 - Marine Gensets
 - Gasoline Engines
 - Drives & Transmissions
 - Accessories and Chemicals
 - Industrial Engines
 - Quick Find

Volvo Penta accessories

SPARE PARTS FOR YOUR ENGINE



#	Description	PartNo.	Qty	Price/each (EUR)
1	Intermediate housing	854033	1	2 255,00
2	• Gear yoke	897829	1	348,75
3	• Coupling rod	814397	1	108,50
4	• Shaft	897447	1	51,25
5	• Washer	941670	2	0,54
6	• Split pin	17253	1	2,25
7	O-ring	925259	1	9,25
8	Shim	943866	0	8,63
	TH=0.1mm			
8	Shim	943867	0	10,13
	TH=0.2mm			
8	Shim	943868	0	9,38
	TH=0.4mm			
9	Fork	876168	1	1 031,25
10	• Lubricating nipple	940194	1	11,88
11	• Bushing	814388	1	8,75
12	• Needle roller bearing	183391	1	25,38
13	• Sealing ring	181620	2	11,88
14	Hex. socket screw	941807	2	11,88
15	Plastic washer	814390	2	8,25
16	Lock nut	941885	2	16,00
17	Control rod	897448	1	124,00
18	Fork	813954	1	63,63
19	Hexagon nut	940190	1	1,18
20	Split pin	192662	1	70,63
21	Split pin	17253	2	2,25
22	Steering knuckle	814386	1	655,00
23	O-ring	941820	1	8,75
24	Washer	897696	1	9,38
25	Hex. socket screw	941809	1	2,63
26	Hex. socket screw	941808	2	25,38
27	Hose connection	854031	1	47,50
	See group 4A			
28	Sealing	814356	1	10,25
29	Hex. socket screw	941813	2	8,69
30	Tube	897644	1	215,00
31	O-ring	125017	2	3,88
32	Cable attachment		1	Out of production
	Obsolete part			
33	Hexagon screw	940168	2	2,63
34	Washer	940191	2	1,03
35	Bushing kit	826341	2	6,25
36	Cube	22966681	1	9,50
37	Split pin	17276	1	2,25
38	Washer	940191	2	1,03
39	Reverse tilt inhibit		1	Out of production
40	• Catch	814391	2	85,88
41	• Bearing sleeve		1	Out of

#	Description	PartNo.	Qty	Price/each (EUR)
				production
42	• Spacer washer	814422	2	2,50
43	• Push rod (814421)	852046	1	171,25
44	• Thrust sleeve	897722	1	44,00
45	• Lock brace	814394	1	240,00
46	• Spindle	814395	2	86,38
47	• Spring	832534	1	6,75
48	• Shaft	814399	1	63,50
49	• Washer	943194	1	1,75
50	• Spring hook Left	814392	1	84,63
51	• Shaft	814419	1	78,25
52	• Spring hook Right.	814393	1	91,50
53	• Lock nut	943197	2	2,63
54	• Spindle	814398	1	9,38
55	• Spring	814396	1	3,25
56	• Spring	814332	2	9,75
57	• Hexagon nut	940197	1	0,70
58	Stud	941814	2	12,25
59	Control cable See group 9			Out of production
59	Repair kit, repair kit astern lever	875361	1	313,75

This page is also available in the following languages:

[Dansk](#) [Deutsch](#) [English](#) [Español](#) [Français](#) [Italiano](#) [Nederlands](#) [Norsk](#) [Suomi](#) [Svenska](#)

© 2017 Marine Parts Europe [Privacy Policy](#) [Sitemap](#)