

V Maintenance

3. Pump out old transmission fluid through suction pipe (Figure 5, Item 1) in the filter compartment.

NOTE:

Max. outside diameter of suction hose is 16 mm (5/8 in) (Figure 5, Item 2).

4. Fill with 3.5 liters (0.92 US gallon) of Automatic Transmission Fluid (ATF) Figure 6.
Plus amount required for cooler and pipelines.

CAUTION

Only use automatic transmission fluid as specified in the technical data (Chapter VII).

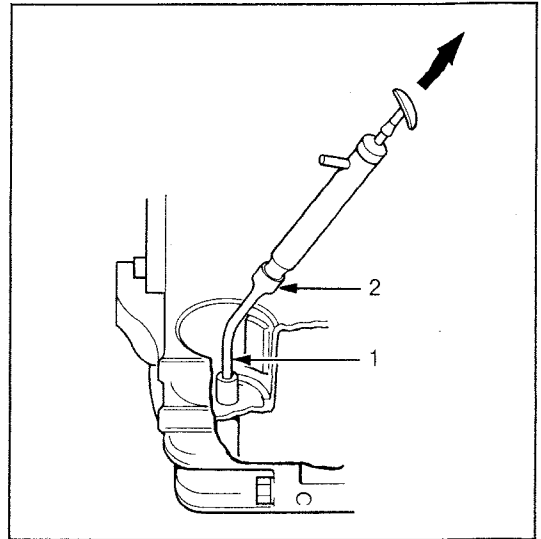


Figure 5

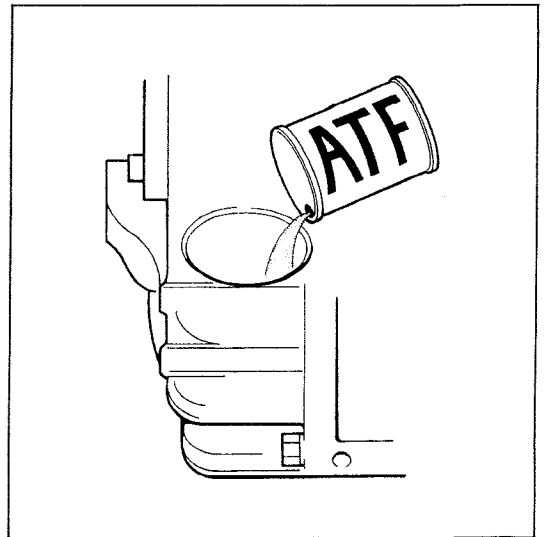


Figure 6