

V Maintenance

5.2 Fluid change

The first fluid change must be performed after 25 hours of operation. Subsequent fluid changes after every 300 hours of operation.

NOTE:

The filter element must be renewed whenever the fluid is changed.

1. Turn filter cover (Figure 3, Item 1) counter-clockwise to loosen the fluid fine filter (Figure 4, Item 1).
2. Remove filter cover complete with fluid fine filter.

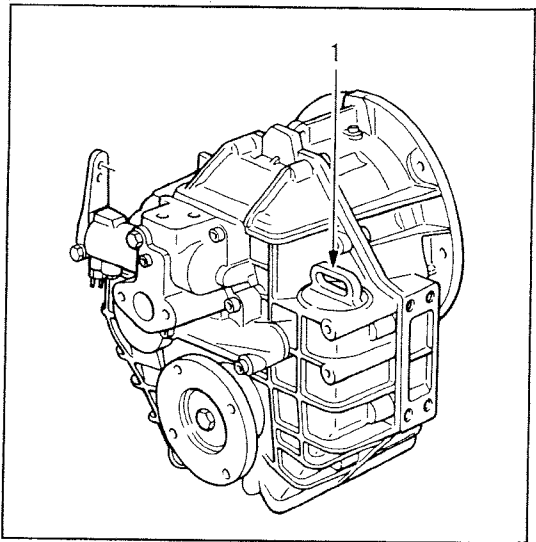


Figure 3

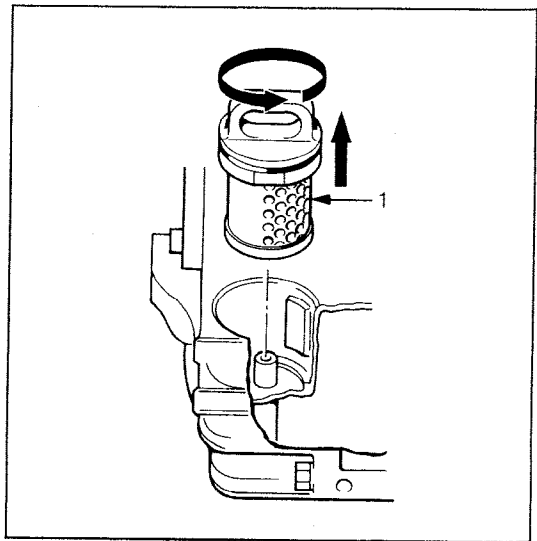


Figure 4