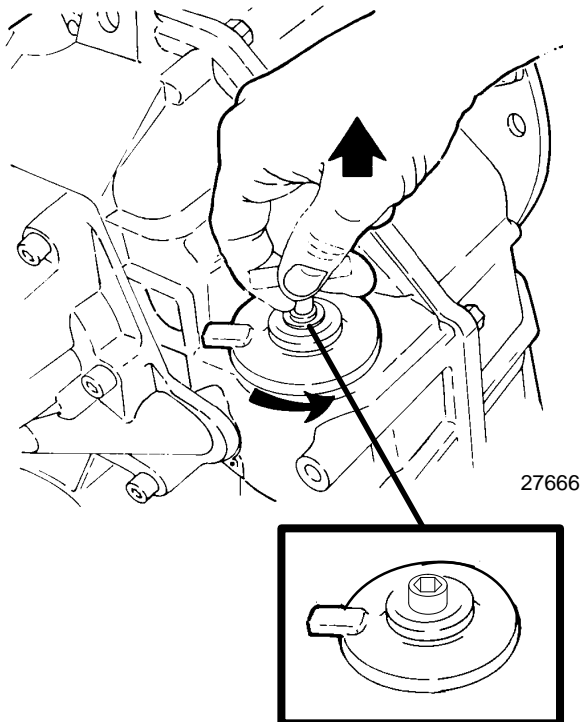


## Draining Transmission

1. Clean the exterior of transmission before disassembly.

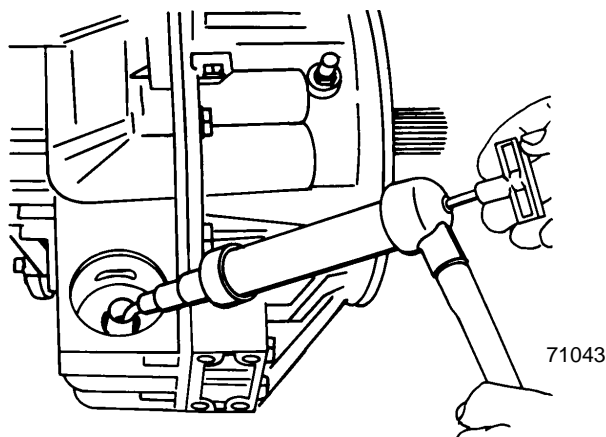
**NOTE:** Later model Hurth transmissions have a allen head socket screw on oil filter cover.

2. Remove oil filter from housing by turning (counterclockwise) and pulling at the same time.



a - Set Screw (Later Models)

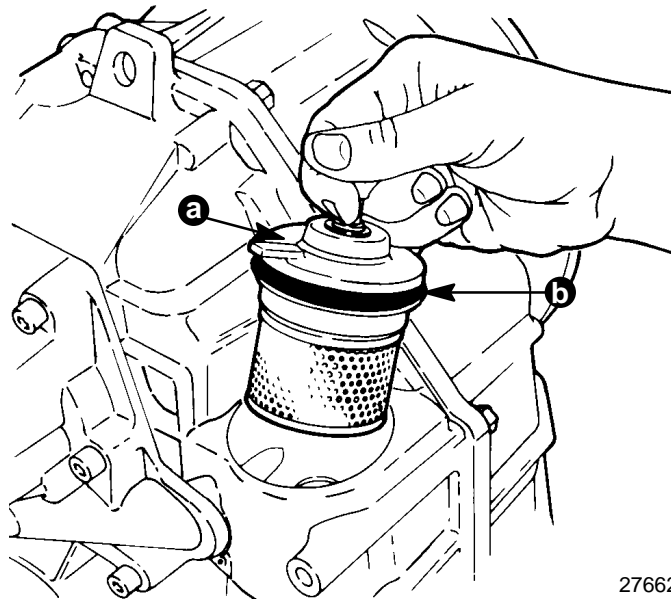
3. Push hose of suction pump through suction pipe and down to the bottom of the housing. Pump fluid from housing.



## Filling Transmission

**IMPORTANT:** Use only Automatic Transmission Fluid (ATF) as recommended in "Specifications."

1. Fill transmission to proper level, through oil filter cavity. (Refer to "Capacity.")
2. Install filter as follows:
  - a. Coat O-ring on filter cover with transmission fluid.



a - Filter Cover  
b - O-Ring