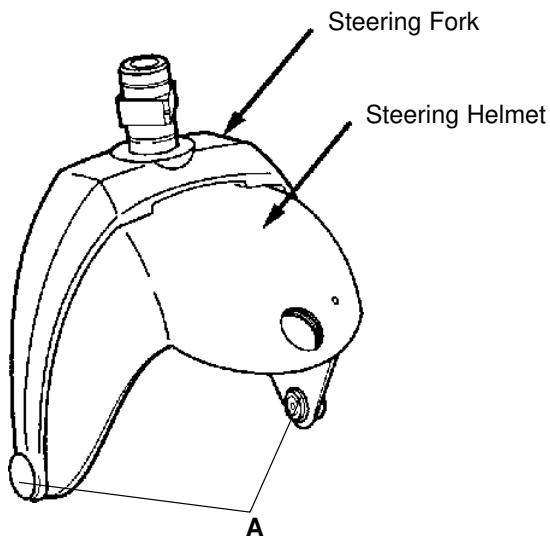
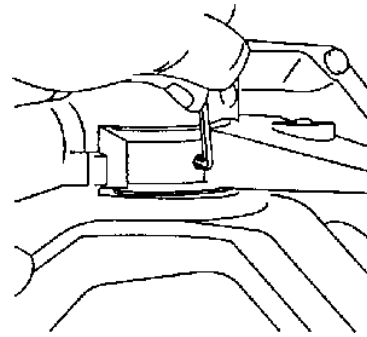


## Changing steering helmet

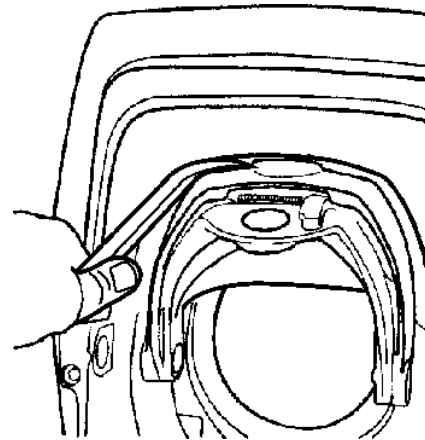


To ensure the integrity of the steering system the steering helmet is not serviceable as a separate part from the steering fork. If there is a problem with the steering helmet or the steering fork, they must be replaced as a unit.

**⚠ WARNING!** The bolted joints steering helmet – steering fork (A) shall not be dismantled.



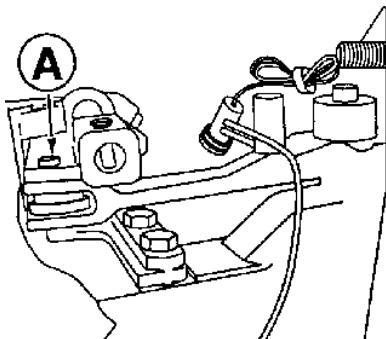
**21.** Loosen the tiller arm set screw using a 5/32 allen wrench.



**22.** Gently pry the steering fork down from the transom shield.

## Removal

**19.** Remove the sterndrive according to procedure elsewhere in this book.



**20.** Disconnect the power steering (A) if equipped. Disconnect and remove the trim sending unit.