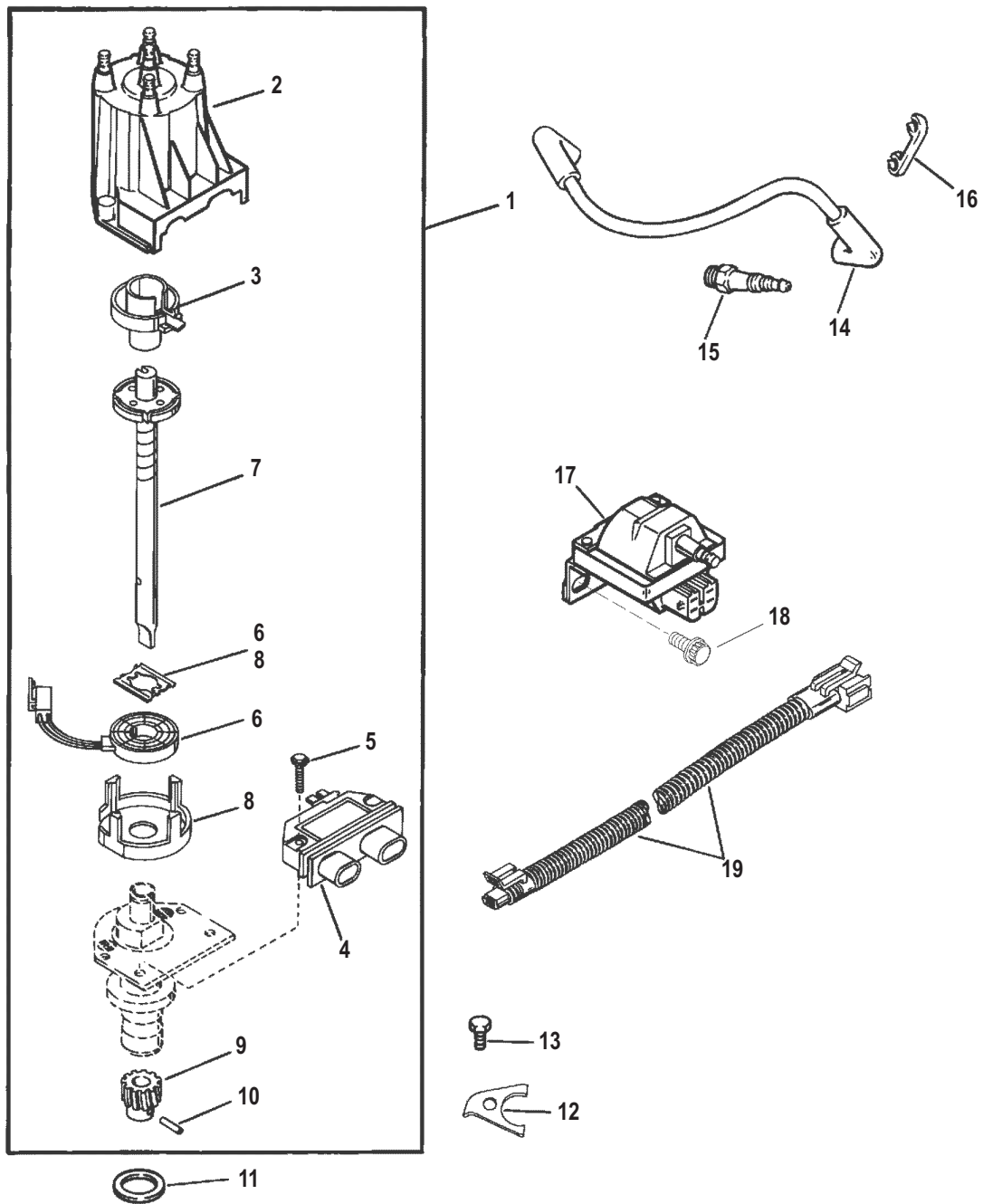


# Distributor and Ignition Components



8164

## Distributor and Ignition Components

Ref #	Part Class	Part Number	Description	Comments	Qty	Note
1	0000	817377	DISTRIBUTOR		1	
2	0000	811635T3	CAP Distributor		1	
3	0000	898253011	ROTOR		1	
4	0000	811637002	MODULE		1	
5		NSS	NOT SOLD SEPARATE Screw		2	
6	0000	811639T	COIL		1	
7		NSS	NOT SOLD SEPARATE Shaft and Magnet		1	
8	0000	811641	POLE PIECE		1	
9	0043	811642	GEAR		1	
10		NSS	NOT SOLD SEPARATE Drive Pin		1	
11	0027	87707	GASKET		1	
12	0000	72624	CLAMP		1	
13	0010	11976	SCREW (.375-16 x 1.00)		1	
14	0084	816761Q14	CABLE KIT Igniton and Coil wires		1	
15	0033	816336Q	SPARK PLUG		4	
16	0000	54676	RETAINER Two Wire		1	
17	0000	898253T27	COIL Ignition		1	
18	0010	805189	SCREW (.375-16 x .750)		2	
19	0084	817376T01	HARNES ASSEMBLY Distributor Module to Ignition Coil		1	
-	0027	810846A06	GASKET SET Overhaul		1	
-	0000	864626A02	MARINE LONG BLOCK		1	