

MINN KOTA

OWNER'S INSTRUCTION MANUAL

MODELS 565m • 595m • 599m

Congratulations

...for selecting the most popular
electric fishing motor in America.



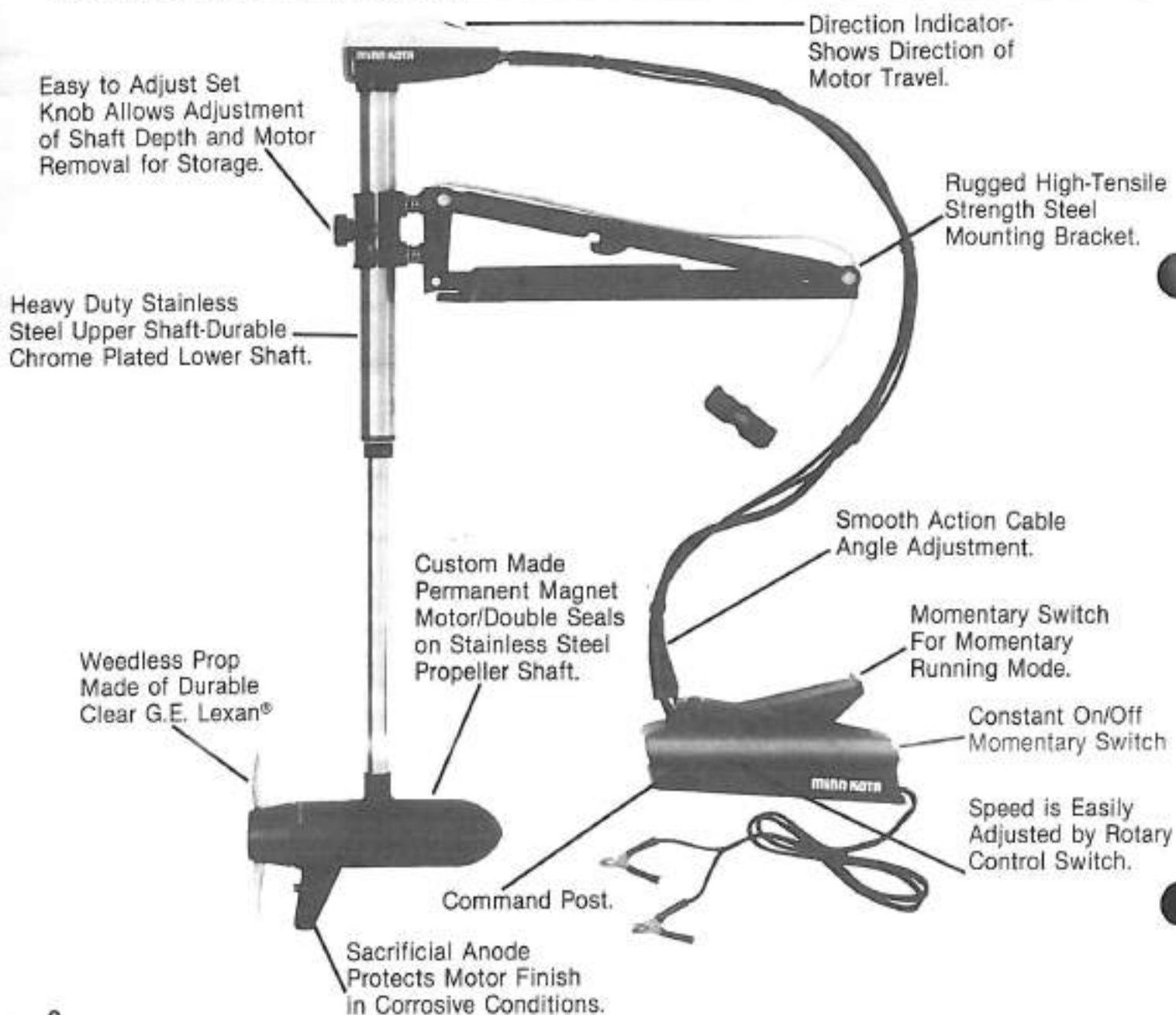
Specifications and Features	p. 2
Operation and Installation	p. 3-4
Trouble Shooting and Maintenance	p. 5
565m Parts and Wiring Diagram	p. 6-7
595m Parts and Wiring Diagram	p. 8-9
599m Parts and Wiring Diagram	p. 10-11
Warranty	p. 12

**CAUTION: READ MANUAL CAREFULLY BEFORE
OPERATING YOUR NEW MINN KOTA
ELECTRIC FISHING MOTOR. RETAIN
MANUAL FOR FUTURE REFERENCE.**

SPECIFICATIONS

Model	565m	595m	599m
Motor	3 $\frac{3}{8}$ " Diameter	4" Diameter	4" Diameter
Voltage	12	12	12/24
Maximum Propeller Speed	1300 RPM	920 RPM	1000 RPM
Propeller Diameter	9 inches	11 inches	11 inches
Tube Length	36 inches	36 inches	36 inches

FEATURE INFORMATION



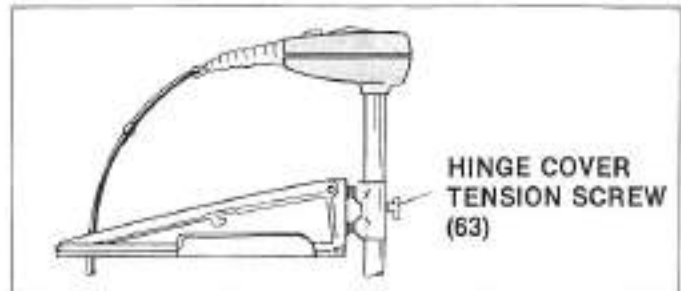
OPERATION

Bow Mount Operating Instructions

MOUNTING ON THE BOAT

Important: Make sure your motor is mounted on a level surface. A level surface may have to be created to insure proper mounting and operation.

1. Remove Safety Lock Plug (48) and unscrew Hinge Cover Tension Screw (63). Remove motor from Bow Mount.
2. Place the Bow Mount on the bow of your boat in the retracted (up) position—placing the mount in your desired location. (It is recommended that your motor be mounted as close to centerline of the boat as possible.) In selecting the best mounting location, be sure the Motor Rest (36) is positioned far enough beyond the edge of the boat so that as the motor is lowered into the water or raised into the boat—it does not interfere with any obstructions.
3. Once in position, mark at least 4 of the 6 holes provided in the Bow Plate (31) for drilling. (Caution: make sure there are no obstructions under the bow prior to drilling). Drill thru the marked holes using a $2\frac{1}{16}$ " drill bit.
4. Once drilled, mount the plate using the mounting hardware ($\frac{3}{16}$ " x 2" bolts and nuts) provided with your motor.
5. After mounting, replace your motor, tighten the Hinge Cover Tension Screw (63) and replace Safety Lock Plug (48). See "Wiring Diagram" for your model for proper battery hook-up.



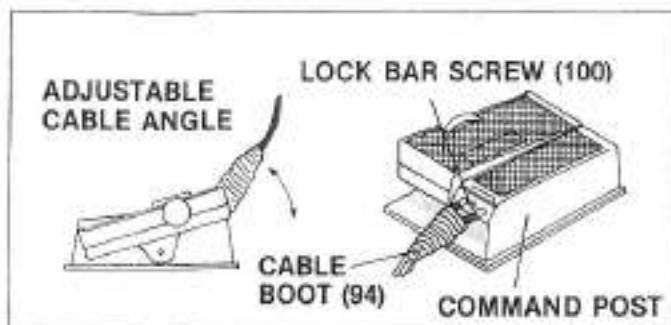
Cable Angle Adjustment

Cables leaving the foot pedal Command Post may be adjusted to desired angle easily by pulling back Cable Boot (94), loosening Lock Bar Screw (100), adjusting pivot drum to desired location, tightening Lock Bar Screw. Tighten to light tension if multiple positioning is desired.

BOW MOUNT OPERATION

The Bow Mount is designed to fold back and lock the motor flat on the deck when not in use. The Motor Rest (36) positions the lower unit as it comes in contact with the nose of the Mount and guides it onto the Motor Rest. At the same time the Tube Lock (45) tilts up to engage the shaft and lock it for transport. The Pull Grip (47) is designed to plug over the Tube Lock (45) for additional locking. Pulling the rope releases the lock bar, which engages automatically when the unit is lowered to the operating position. The rope and pull grip should be used for both lowering and raising the unit. Should the rope ever become disengaged from the lock bar assembly, special holes are provided in the Lower Arm (38) to release the lock bar with a screwdriver.

OPERATION



Adjusting Depth

Loosen **Hinge Cover Tension Screw (63)** until the shaft slides freely. Raise or lower the motor to desired depth, (also turn motor control box to set **MOTOR DIRECTION POSITIONING** at this time). Tighten **Hinge Cover Tension Screw**.

WARNING: The Plastic Safety Lock Plug installed at the factory is intended for temporary use only. We recommend that it be replaced with a padlock or small bolt and nut while operating or adjusting motor. **Be sure motor is submerged sufficiently to avoid agitation and churning on the surface water.**

Speed Control

Your motor offers you a choice of speed settings. The Rotary Speed Control may be operated by foot or by hand. Turn the knob clockwise to increase the speed, counterclockwise to decrease. The Speed Control can be turned in either direction to the off position.

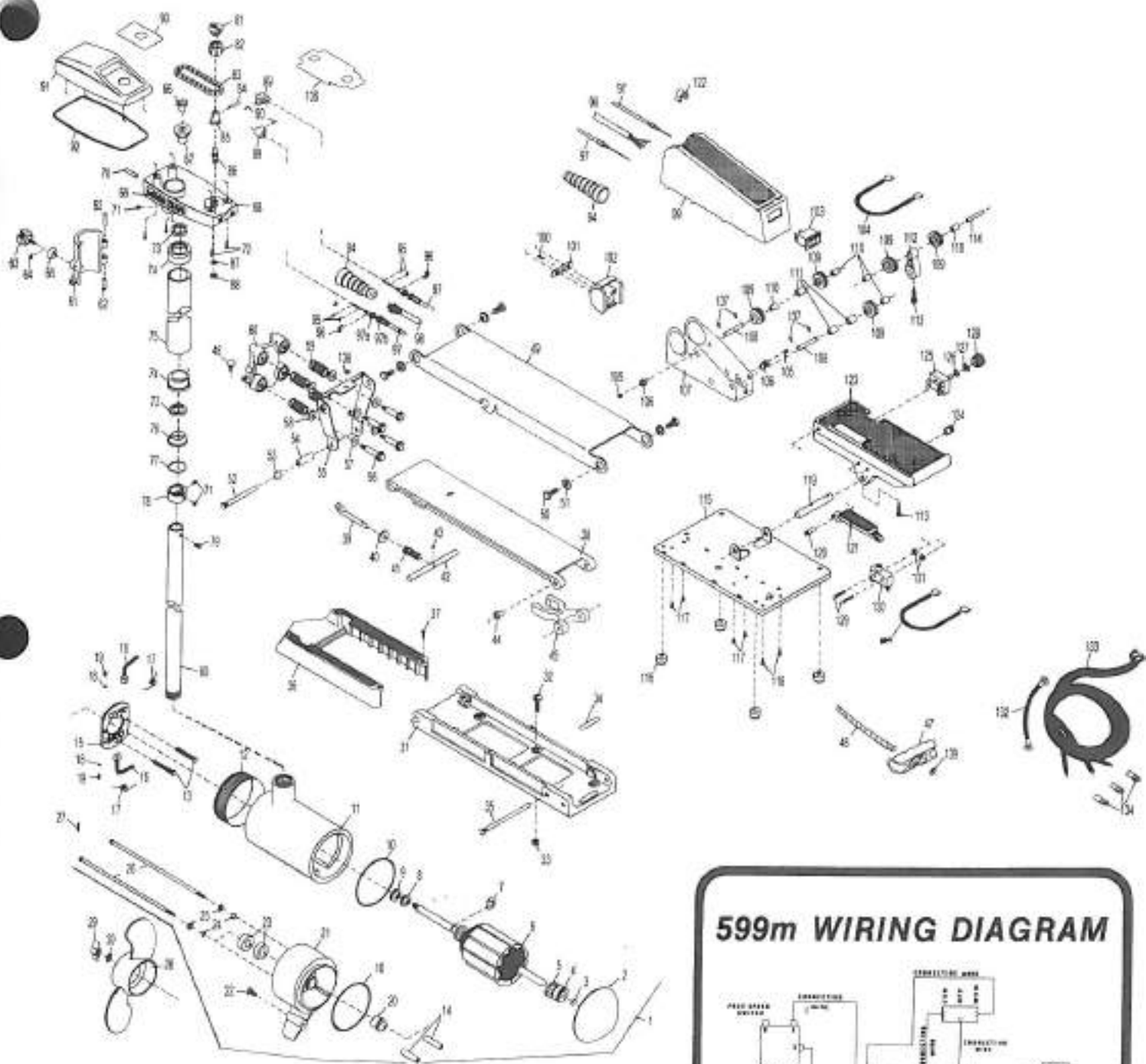
Continuous-Off-Momentary Switch

Located on the back of the Command Post Cover, the CON-OFF-MOM switch offers choice of continuous "on" until switched to "off" position, or intermittent power or running of the motor by activating the Momentary Switch located on the foot pedal.

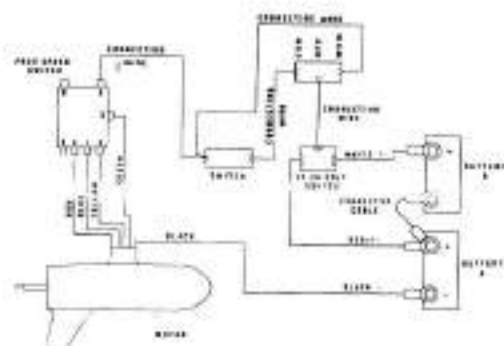
Cable Adjustment

Adjust cable length and tension by holding **Hex Adjust Nut (97a)** securely and tighten or loosen **Lock Nut (97b)**. Adjust cables to equal tension.

PARTS DIAGRAM



599m WIRING DIAGRAM



MODEL 599m

REPLACEMENT PARTS

Replacement parts may be ordered from Parts Department, Minn Kota, Johnson Fishing, Inc., 1531 Madison Ave., Mankato, Minnesota 56001, or in Canada, from Parts Department, Minn Kota, Johnson Fishing, Inc., Box 82, Orillia, Ontario, Canada. Be sure to specify the model number and serial number of your motor and the part number(s) as shown on the following list. Minimum charge \$2.00. Payment may be by cash, check, MasterCard or VISA card. Please add \$2.00 for postage and handling on all orders.

Item No.	Part No.	Description	Item No.	Part No.	Description	Item No.	Part No.	Description
1	209-9000	Motor Assembly (Complete)	49	229-4201	Upper Arm		223-7400	Cable Core Assembly—Left (short)
2	409-020	Front End Bell	50	229-3510	Bolt (4 required)		225-7400	Cable Core Assembly—Right (long)
3	401-050	Thrust Disc	51	229-3500	Shoulder Bushing (4 required)	98	215-1200	Electrical Cable
4	409-600	Bearing	52	223-0510	Hinge Pin	99	223-6400	Command Post Cover
5	409-301	Bearing Retainer	53	223-6020	Bearing (2 required)	100	223-1310	Lock Bar Screw
6	409-201	Armature	54	223-1570	Sleeve	101	223-3610	Lock Bar
7	409-300	E-Ring	55	223-1901	Hinge Bracket	102	223-3300	Pivot Drum (Complete)
8	409-170	Steel Washer	56	223-3550	Shoulder Bolt (4 required)	103	225-4030	Constant/Momentary Switch
9	409-171	Thrust Washer	57	215-1720	Washer (4 required)	104	225-0310	Connecting Wire—White
10	409-480	O-Ring (2 required)	58	215-1730	Cup Washer (4 required)		225-0320	Connecting Wire—Red
11	409-251	Center Section w/ Magnets	59	223-2700	Spring (4 required)		225-0330	Connecting Wire—Blue
12	409-241	Speed Coil	60	223-1802	Hinge Base	105	225-3430	Cable End Set Screw (2 required)
13	409-340	Brush Plate Screw (2 required)	61	223-1812	Hinge Cover	106	225-3230	Cable End (2 required)
14	409-150	Brush Plate Spacer (2 required)	62	223-0580	Hinge Cover Pin (2 required)	107	223-8500	Pulley Housing
15	409-400	Brush Plate	63	223-0100	Knob	108	223-0530	Pin (2 required)
16	409-070	Brush (2 required)	64	215-3000	E-Ring	109	223-2300	Pulley (5 required)
17	409-080	Brush Spring (2 required)	65	223-1530	Spacer	110	223-0000	Pulley Bearing (5 required)
18	409-173	Brush Washer (2 required)	66	226-2200	Sprocket	111	223-1540	Pulley Spacer (3 required)
19	409-341	Brush Screw (2 required)	67	226-6240	Top Bearing Race	112	223-3312	Link
20	409-000	Shoulder Bushing	68	226-2522	Control Box	113	223-3520	Drive Screw (2 required)
21	409-030	Rear End Bell	69	201-6600	Decal—Control Box (2 required)	114	223-0540	Pin
22	409-330	Sacrificial Anode	70	201-5400	Wire Insulator (8 required)	115	225-4531	Foot Pedal Base
23	409-461	Seal (2 required)	71	226-3400	Set Screw (4 required)	116	225-5120	Rubber Bumper (4 required)
24	409-462	Thru Bolt O-Ring (2 required)	72	201-2100	Cover Screw (4 required)	117	223-2100	Screw (4 required)
25	409-172	Thru Bolt Washer (2 required)	73	226-6000	Ball Bearing (2 required)	118	207-2140	Screw (2 required)
26	409-350	Thru Bolt (2 required)	74	226-6200	Bearing Race (2 required)	119	223-0582	Drive Pin
27	209-2600	Shear Pin	75	227-2000	Tube (18")	120	223-0570	Push Button Pin
28	209-1121	Propeller	76	226-6110	Bearing Cone	121	223-3700	Push Button
29	209-3100	Prop Nut	77	226-4600	O-Ring	122	225-3290	Cable Clip (5 required)
30	209-1700	Prop Washer	78	226-1501	Collar	123	225-4442	Foot Pedal
31	225-1912	Bow Plate	79	226-3410	Flat Head Screw	124	223-0560	Pin
32	215-3501	Mounting Bolt (4 required)	80	229-2002	Tube (36")	125	209-4000	Switch—5 Speed
33	215-3100	Mounting Nut (4 required)	81	226-0140	Pointer	126	202-1700	Lock Washer
34	223-5120	Base Pad	82	226-2620	Pointer Cup	127	202-3100	Switch Nut
35	223-0500	Hinge Pin	83	225-0800	Roller Chain	128	225-0120	Speed Control Knob
36	223-3900	Motor Rest	84	226-2630	Pointer Pin	129	223-2120	Switch Mounting Screw (2 required)
37	223-3400	Screw (2 required)	85	226-2212	Idler Sprocket	130	225-4020	Switch (ON-OFF)
38	225-4312	Lower Arm (Complete w/ items 38 thru 43 and items 46 & 47)	86	226-2600	Adjusting Pin	131	223-3100	Nut (2 required)
39	215-3800	Eye Shaft	87	226-1700	Lock Washer	132	209-0620	Connector Cable
40	215-1700	Washer	88	225-3100	Hex Nut	133	209-0610	Lead Wire (Includes Terminals)
41	215-2700	Spring	89	225-3280	Cable Connector—Stop	134	209-0700	Terminal (3 required)
42	223-3800	Lock Bar	90	225-2610	Spring Pin (2 required)	135	207-4010	12/24 Volt Switch
43	215-2610	Spring Pin	91	226-0220	Cover		229-0700	Line Connector
44	223-6000	Bearing—Nyliner (2 required)	92	226-6900	Gasket—Cover	136	225-6310	Shield—Wire
45	229-3802	Tube Lock	93	229-5670	Decal—Cover 599M	137	201-3000	E-Ring (4 required)
46	226-1600	Rope	94	225-5130	Cable Boot (2 required)	138	223-2350	Rope Eyelet
47	215-0402	Pull Grip	95	225-3010	E-Ring (4 required)	139	215-1700	Washer—Rope
48	223-6700	Rope Plug	96	202-3000	E-Ring (2 required)			
			97	227-7400	Cable Housing Assembly (2 required)			

LIMITED WARRANTY

Minn Kota, Inc. warrants to the original purchaser that its electric trolling motors are free from defects in materials or workmanship for a period of one (1) year from the date of purchase, except that this warranty shall not apply to any motors used commercially. The motor must be returned, freight prepaid and with proof of the date of purchase, to Minn Kota, Inc., 1531 Madison Avenue, Mankato, Minnesota 56001 or to any authorized Minn Kota Service Center listed on the attached sheet. Defective parts only must be returned to Minn Kota, Inc. with proof of purchase date for warranty consideration or replacement.

If, after inspection, we find that the motor or part was defective in material or workmanship, we shall, at our option, either repair or replace it without charge. We are not responsible for normal wear and tear or for defects caused by accident, abuse, alteration, misuse or improper care. This warranty will be voided by the use of parts not manufactured or sold by Minn Kota or by modifications made by the consumer.

THERE ARE NO OTHER EXPRESS WARRANTIES BEYOND THE TERMS OF THIS LIMITED WARRANTY. IN NO EVENT SHALL ANY IMPLIED WARRANTIES, INCLUDING MERCHANTABILITY AND FITNESS FOR A PARTICULAR PURPOSE, EXTEND BEYOND THE DURATION OF THE EXPRESS WARRANTY CONTAINED HEREIN. IN NO EVENT SHALL MINN KOTA, INC. BE LIABLE FOR INCIDENTAL OR CONSEQUENTIAL DAMAGES.

Some states do not allow limitations on how long an implied warranty lasts or the exclusion or limitation of incidental or consequential damages, so the above limitations or exclusions may not apply to you.

This warranty gives you specific legal rights, and you may also have other rights which vary from state to state.

QUALITY PRODUCTS DESERVE QUALITY SERVICE

At Johnson Fishing we're just as concerned about providing quality service as we are about providing quality products. That's why our motors are backed by a full one year limited warranty from the date of purchase. If for some reason, your new Minn Kota should require service you can be assured that the problem will be corrected to your satisfaction by one of our many Authorized Warranty repair facilities or the Customer Service Department at Johnson Fishing. After all—"quality products deserve quality service".

MINN KOTA
ELECTRIC FISHING MOTORS

1531 MADISON AVENUE
MANKATO, MINNESOTA 56001
PARTS, SERVICE WARRANTY:
CALL 507-345-4659
OR CALL TOLL FREE:
1-800-227-6433