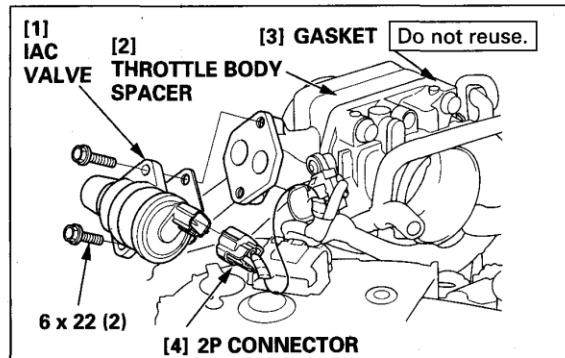


14. IAC VALVE

REPLACEMENT

- 1) Remove the silencer case. (P. 5-103)
- 2) Disconnect the 2P connector from the IAC valve.
- 3) Remove the two 6 x 22 flange bolts and remove the IAC valve.
- 4) Install a new gasket and tighten the IAC valve to the throttle body spacer with the two 6 x 22 flange bolts.



15. IAT SENSOR

REPLACEMENT

- 1) Remove the silencer case. (P. 5-103)
- 2) Disconnect the 2P connector from the IAT sensor and remove the wire harness from the harness clamp.
- 3) Remove the IAT sensor from the throttle body spacer.
- 4) Tighten the IAT sensor to the throttle body spacer as specified torque.

TOQUE: 18 N·m (1.8 kgf·m, 13 lbf·ft)

- 5) After installing connect the 2P connector to the IAT sensor.

