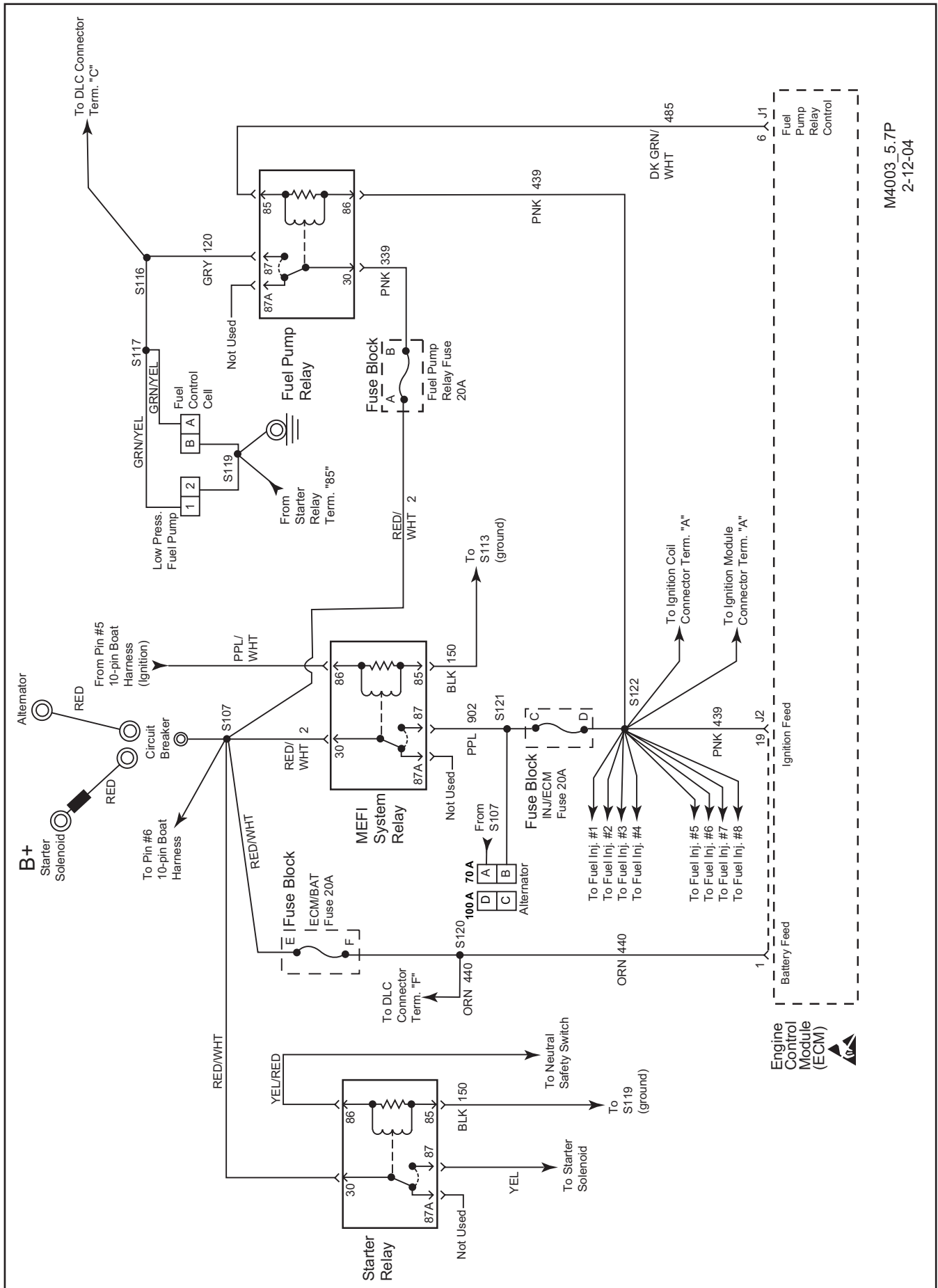


Engine Controls Wiring Schematics- 5.0/5.7L (3 of 9)



M4003\_5.7P  
2-12-04