

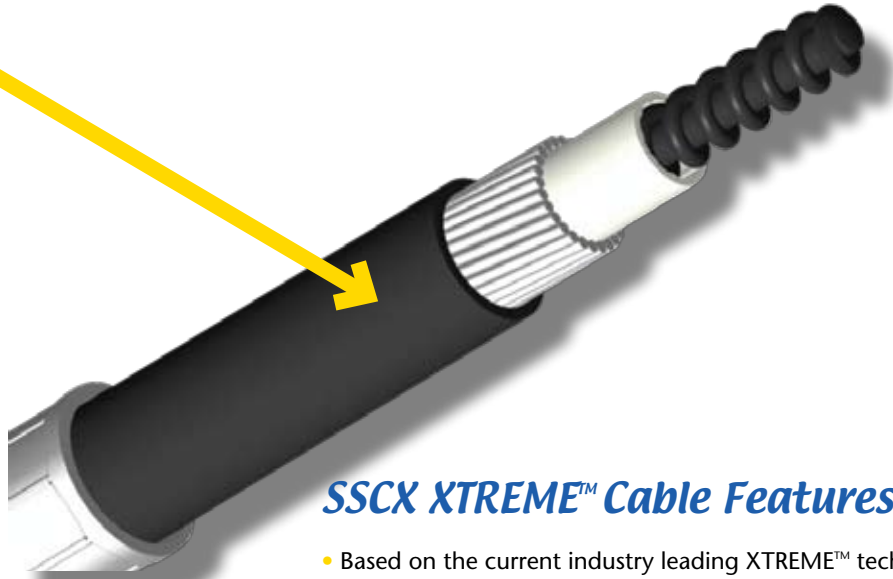
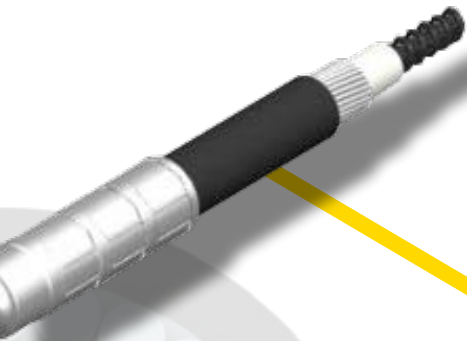


NEW

XTREME™

Performance

& Reliability



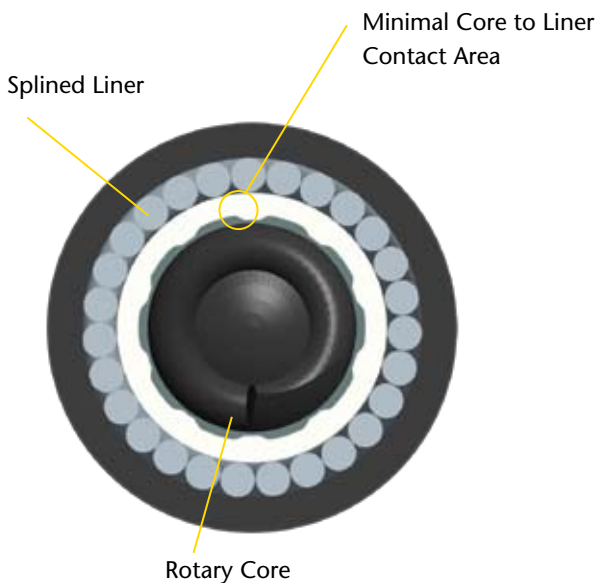
SSCX XTREME™ Cable Features

- Based on the current industry leading XTREME™ technology
- Splined ridges on the inner liner allow close contact with core
- With minimum contact the core glides freely
- Tight fit for minimal lost motion
- Reduced friction for extended cycle life
- Robust construction support highest steering loads in the mechanical range

A brand new XTREME™ steering cable was designed specifically for this system. This cable offers lower backlash and is more efficient than a standard steering cable.

It provides the lowest ease of effort, a close “fit” of the core to liner for lowest lost motion. The concept provides the “tight” fit of core to liner yet allows area for lubrication.

The design of the helm allows higher loads to be placed into the cable requiring this new design cable. There is a quick connect feature on both the steering cable and spent travel tube for easy, quick installation.



XTREME™ MECHANICAL STEERING SYSTEM

- ~ *Smoothest and lowest steering effort mechanical helm offered in the market place yet still offers easy installation.*
- ~ *Complete steering system including new helm, high efficiency XTREME™ steering cable design and new style bezel.*
- ~ *Quick connect feature on both steering cable and spent travel tube for easy quick installation.*
- ~ *Installs in same mounting pattern and bracket location as current Teleflex Marine steering systems.*
- ~ *Smallest footprint possible to accommodate small/tight dash helm stations.*
- ~ *Made, designed and assembled in the USA.*

Components

This complete new steering system includes new helm, high efficiency XTREME™ cable and new-style bezel. It is also available with Sport or Sport Plus tilt mechanism.

Small installation footprint and fits all existing installations

Reliable Zamac casting and zinc plated steel construction

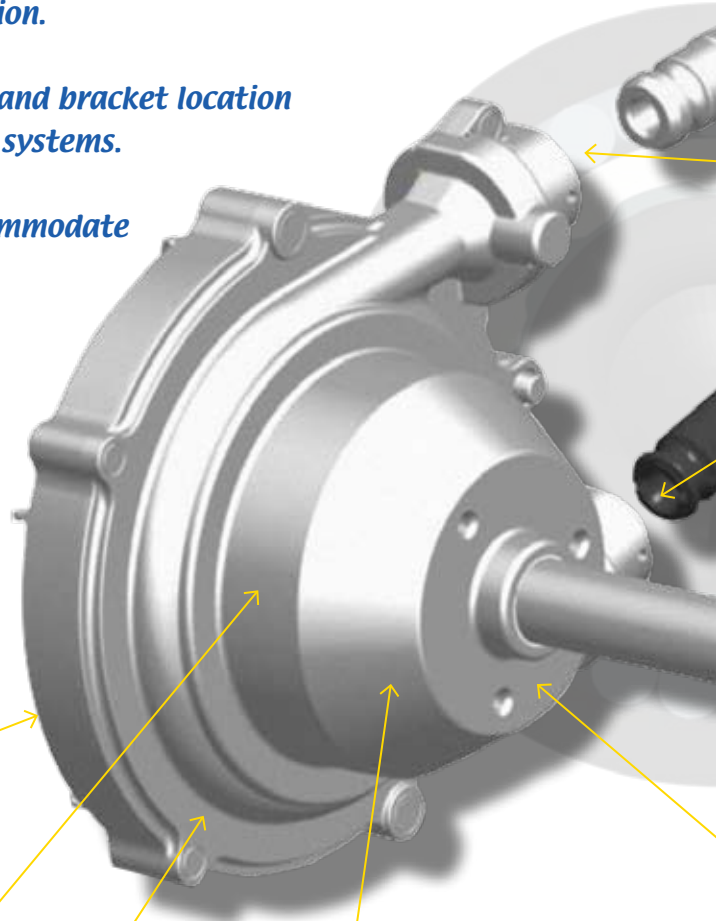
Improved high efficiency custom gear train

Improved NFB function for smoother release

New Helm

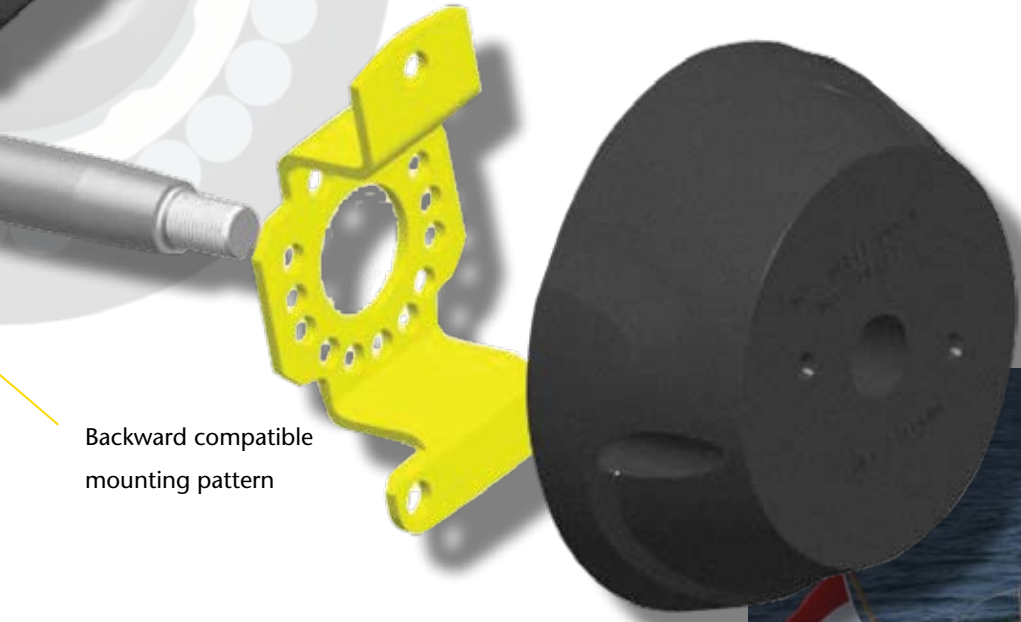
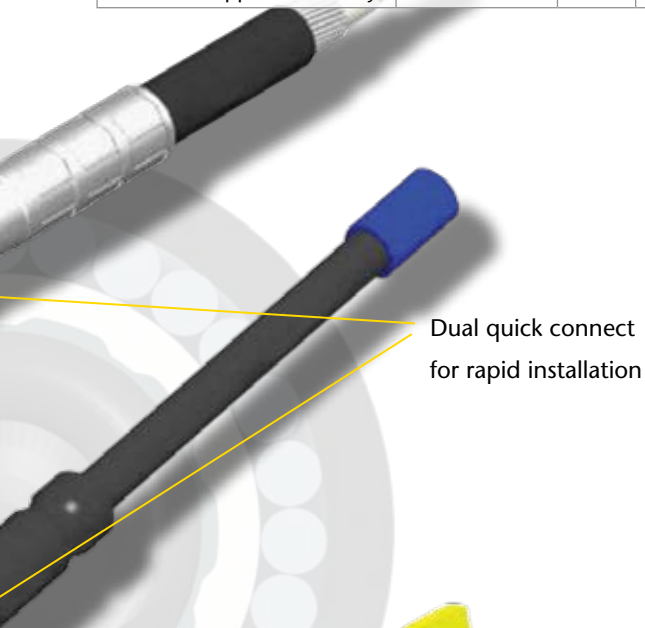
The patent pending helm has a complete new gear train designed to provide smooth feel, minimal backlash and low effort at the wheel. It also offers the smoothest NFB clutch release and has a smaller footprint than the current 4.2 helm. All castings are designed to reduce weight while offering superior strength.

Patents Pending on Helm, Cable and Bezel.



Application Guide

CONFIGURATION	HELM		BEZEL/TILT MECHANISM		STEERING CABLE		NOTES
	Part No.	Qty	Part No.	Qty	Part No.	Qty	
Standard Helm NFB	SHX7606	1	SX76061	1	SSCX64XX	1	Add suffix B to part numbers for bulk items.
Tilt Helm NFB	SHX97606	1	SH91800	1	SSCX64XX	1	
Standard Helm Non-NFB For OEM Applications Only	SHX7626	1	SX76261	1	SSCX64XX	1	Add suffix P to part numbers for packaged items.
Tilt Helm Non-NFB For OEM Applications Only	SHX97626	1	SH91800	1	SSCX64XX	1	



New Bezel

New style, patent pending, bezel keeping with the design of the SH91900 tilt and hydraulic helm pump designs.

XTREME™ Steering is a perfect replacement for current inboard mechanical systems up to 34 feet with one engine.



Easy System Installation

There is a quick connect feature on both the cable and spent travel tube side. You will notice the normal steering cable installation side marked on the casting for easier identification. No tools are required to snap the steering cable or spent travel tube in place which means quicker installation for the boat builder.

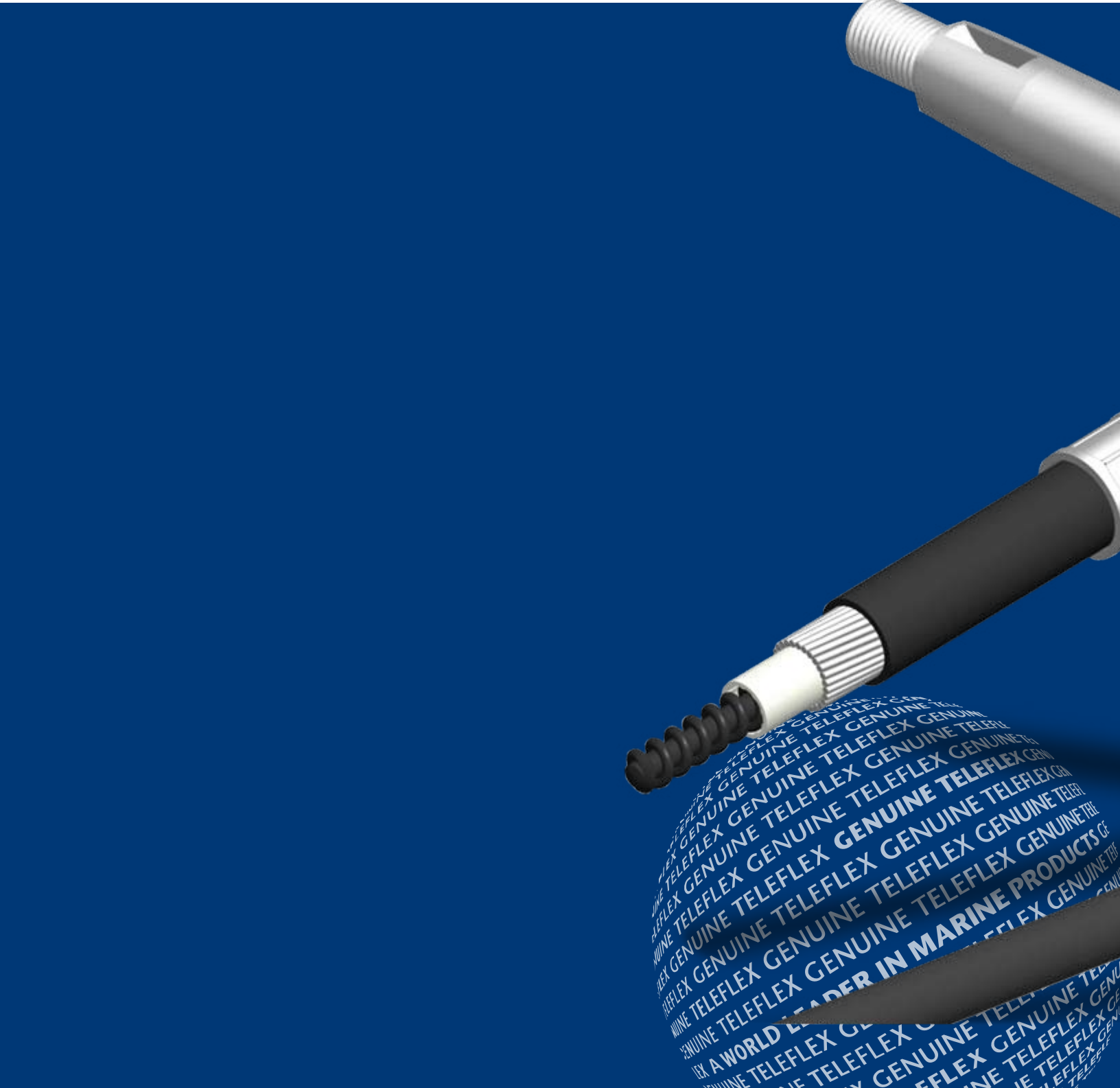
No bleeding of hydraulic system or electrical wiring is required. This new system fits the standard Teleflex dash cut out with standard Safe-T and 4.2 bracket. The custom helm is also available with the SH91800/SH91900 tilt mechanism.



Order by Component or Kit

COMPONENT		
PART NO.	DESCRIPTION	OPTIONS
SHX7606	XTREME™ NFB Helm, Bezel and Hardware Kit	
SHX97606	XTREME™ Tilt NFB Helm	
SHX7626	XTREME™ Non-NFB Helm, Bezel and Hardware Kit	For OEM applications only
SHX97626	XTREME™ Tilt Non-NFB Helm	For OEM applications only
SSCX64XX	XTREME™ QC Steering Cable	
SBX76061	XTREME™ Bezel and Hardware Kit NFB	
SBX76261	XTREME™ Bezel and Hardware Kit Non-NFB	
SSX176XX	XTREME™ NFB Steering Kit	
SSX177XX	XTREME™ Tilt NFB Steering Kit	
STANDARD SYSTEM NFB - KIT PART NUMBER SSX176		
SHX7606	XTREME™ NFB Helm, Bezel and Hardware Kit	
SSCX64XX	XTREME™ QC Steering Cable	
TILT SYSTEM NFB - KIT PART NUMBER SSX177		
SHX97606	XTREME™ Tilt NFB Helm	
SH91800	Sport Tilt Mechanism	
SSCX64XX	XTREME™ QC Steering Cable	

XX = Length in feet



Teleflex[®]
MARINE

©2012 Teleflex Marine All Rights Reserved.
Document: NA - Xtreme Steering - 2012
Printed in the USA.



The Dealer Network is an internet based listing of dealers that install, stock and service Teleflex Marine products.

Sign up today, go to:
www.teleflexmarine.com