

**READ INSTRUCTIONS COMPLETELY BEFORE INSTALLING.**

**NOTE:** Fasteners are not provided due to the wide variety of installations.

**NOTE:** All EEz-In seats use 1/4-20 threaded T-Nuts.

**PEDESTAL INSTALLATION**

(Refer to Fig. 1)

1. Align four holes in suspension system bottom plate at points "A" with four slotted holes in 360° swivel spider top casting. Secure with suitable length stainless steel 1/4-20 machine screws and lock nuts.

**NOTE:** Hinges to be mounted forward at front of seat.

2. Align four holes in suspension system upper plate with corresponding holes in seat bottom at points "B". Secure with four suitable length 1/4-20 stainless steel machine screws.

**SEAT SLIDE INSTALLATION**

(Refer to Fig. 2)

1. Align four holes in suspension system bottom plate with four holes in seat slide upper plate at points "A". Secure with suitable length stainless steel 1/4-20 machine screws and lock nuts.

**NOTE:** Hinges to be mounted forward at front of seat.

2. Align four holes in suspension system upper plate with four holes in seat bottom at points "B". Secure with four suitable length 1/4-20 stainless steel machine screws.

**DECK/FLOOR MOUNTING INSTALLATION**

(Refer to Fig. 3)

1. Locate desired position for seat and center suspension system left to right and front to back.
2. Mark and drill four mounting holes.
3. Make sure the mounting surface is sufficiently rigid to support this load. If not, the area should be adequately reinforced. Use of Garelick 1/4-20 Stainless Steel Toggle Bolt Anchors (#21022) will help secure this type of hardware to the deck.

**NOTE:** Hinges to be mounted forward at front of seat.

4. Align four holes in suspension system upper plate with corresponding holes in seat bottom. Secure with four suitable length 1/4-20 stainless steel machine screws.

**SPECIAL NOTE: For rotational molded EEz-In seats:**

- A. Remove the aluminum reinforcement brackets from the seat bottom prior to installation.
- B. Make certain that the portion of the screw entering the seat shell's T-Nut does not exceed 3/8".

**OPERATION**

- NOTE:**
- For lighter weight and calm seas, adjust foam shocks forward.
  - For heavier weight and rougher seas, adjust foam shocks further aft.
  - Make sure to adjust both shocks to same level of firmness directly across from each other.

1. To adjust to desired level of firmness, remove Quick Release Pin from hinge (Fig. 1,2,3). Tip seat bottom forward.
2. Lift foam shocks over raised stops and slide fore/aft to desired raised stop.
3. Reinsert Quick Release Pin.

**NOTE: IT IS IMPORTANT TO HAVE PIN SECURELY IN PLACE DURING BOAT'S OPERATION. FAILURE TO DO SO COULD RESULT IN SEVERE INJURY!**

**NOTE:** Additional shocks can be added for extreme conditions. Garelick Part #99191.

FIG. 1

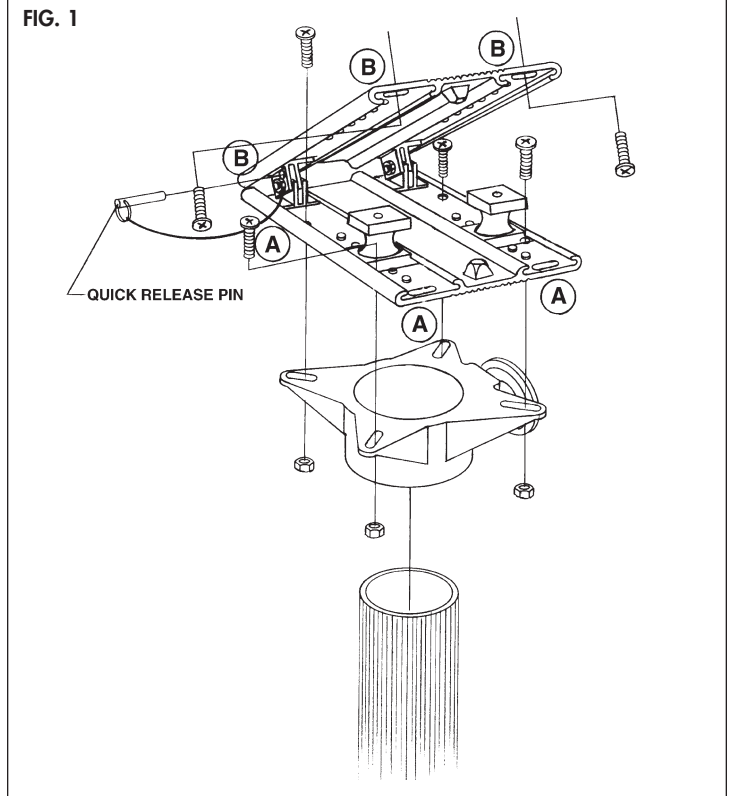


FIG. 2

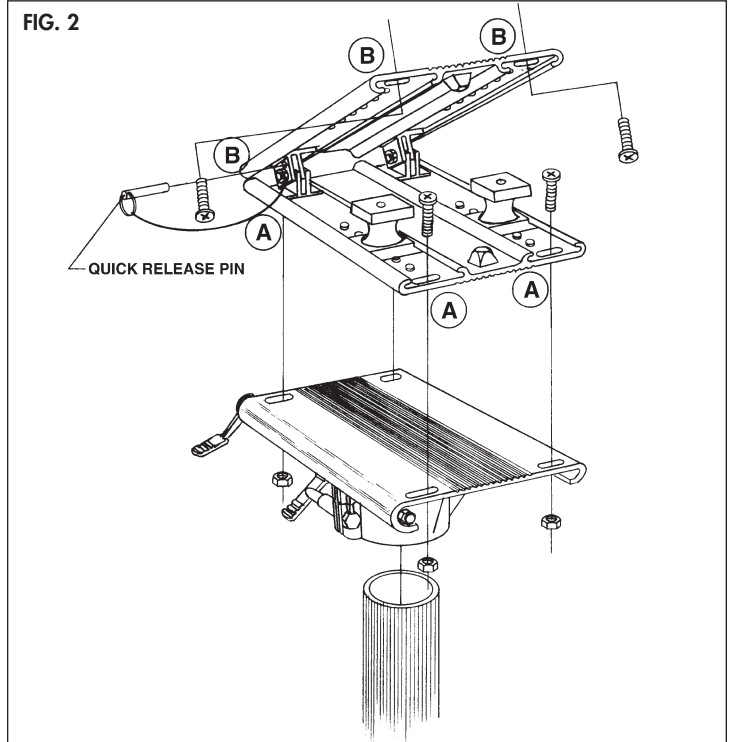


FIG. 3

