



Installation Instructions for

Form 12.476

Portable Cockpit Tables Models 75400, 75401, 75405, 75375

Thank you for selecting our superior quality Garelick/EEz-In Brand Portable Cockpit Table. Your table has been designed and manufactured using the finest material, and was fabricated and finished with boating in mind.

INSTRUCTIONS FOR 75400 SIDE MOUNT INSTALLATION

Hardware Required

- (4) #10 stainless steel wood screws of suitable length

NOTE: Due to the variety of side coaming materials and thicknesses used in boat construction, fasteners have not been provided.

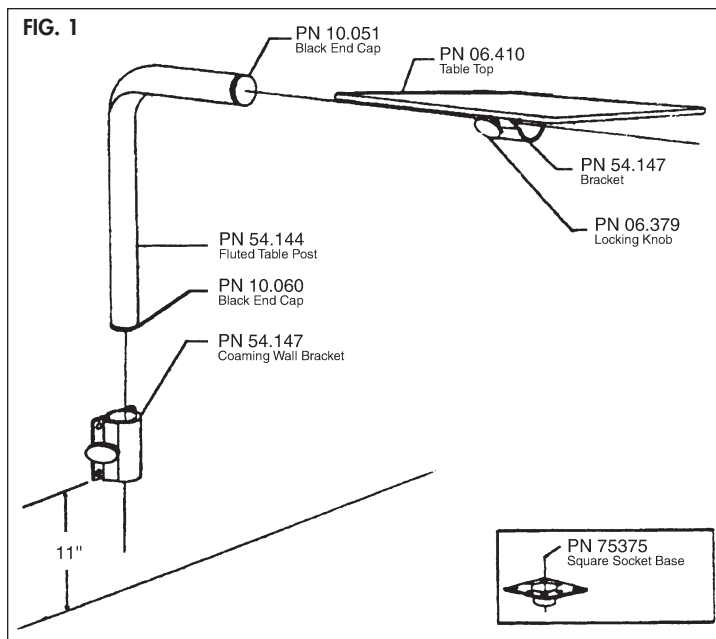
Refer to Fig. 1:

1. Determine your desired location of the table and coaming wall bracket. For maximum stability, it is recommended that the wall bracket be mounted approximately 11" up from the deck floor. Make sure that the wall bracket is perpendicular to the deck floor before marking four mounting holes through the bracket and onto the side coaming.
2. Drill four 1/16" diameter pilot holes. Fasten wall bracket to coaming with selected fasteners.
3. Insert table leg into wall bracket. In the full down position, table height will be approximately 26". Standard table height is 31". Slide table onto horizontal portion of table leg, level and secure in place with locking knob. Adjust table to desired height and lock in position using side coaming bracket locking knob.

(over)

Parts List Refer to Fig. 1

Qty.	Factory Part No.	Description
1	54.147	Coaming Bracket
1	54.144	2-1/4" Diameter Fluted Table Post
1	10.051	2-1/4" Diameter Black End Cap
1	10.060	2" Diameter Black End Cap
1	06.410	Table Top
1	75375	Square Socket Base
1	06.379	Locking Knob



Write for
a Complete
EEz-In Catalog

GARELICK
PO Box 8, 644 2nd Street
St. Paul Park, Minnesota 55071

Phone: 651-459-9795
E-mail: mail@garelick.com
On the Web: www.garelick.com

Installation Instructions – Models 75400, 75401, 75405, 75375 Portable Cockpit Tables

INSTRUCTIONS FOR 75405/75375 DECK MOUNT

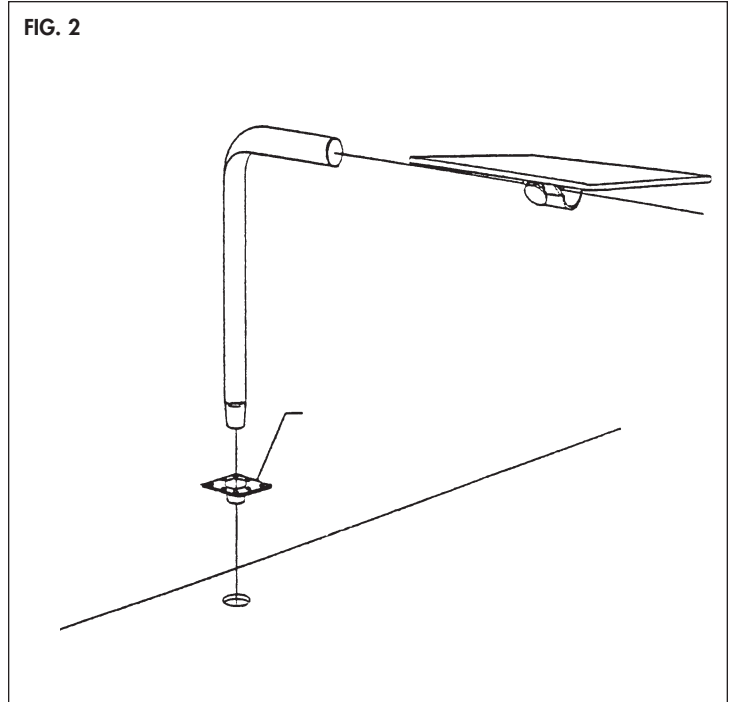
Hardware Required

- (8) #14 stainless steel wood screws of suitable length

Refer to Fig. 2:

1. Determine desired location of table. Using the square/round mount socket base as a template, mark eight mounting hole locations. Find the center point of location by scribing two lines diagonally between corner mounting holes. The center point is where these two lines cross. Scribe a 3-3/4" diameter circle around this center point.
- NOTE: Make certain that the area under the floor directly below the marked hole locations is free from obstacles such as fuel tanks, hoses, electrical wires, etc.**
2. Use a 3-1/4" hole saw or a keyhole saw to cut out a 3-1/4" circle.
3. Drill eight 1/16" diameter pilot holes.
4. Secure socket base in place with selected fasteners.
5. Insert tapered end of table leg into socket base. Slide table onto horizontal portion of table leg, level and secure with locking knob (B).

FIG. 2



REMOVAL AND STOWAGE OF PORTABLE COCKPIT TABLE

Refer to Fig. 3

1. To rotate table top, loosen locking knob (A) until bracket rotates freely, secure top by rotating to desired position (horizontal or side).
2. To remove top, loosen locking knob until bracket rotates freely, then slide top off for stowage.
3. To rotate table post:
 - Model 75045 – To loosen table post, rotate while pulling upward to either rotate or remove from the deck mount socket base.
 - Model 75400 – Loosen locking knob on wall coaming bracket (B) until table post rotates freely. Slide table post out for stowage, or rotate and reposition height before tightening locking knob.

FIG. 3

