



Assembly and Mounting Instructions for Model 75007 Clamp Type Swivel Fishing Chairs

Form 12.142

SWIVEL CLAMP ASSEMBLY

1. Take swivel clamp and rotate its top and bottom halves so slots on bottom plate are exposed (fig. 1).
2. Attach swivel clamp to seat bottom by aligning the holes in the seat and the slots in the clamp. Secure the clamp in position as indicated in fig. 1.

CLAMP ADJUSTMENT AND MOUNTING

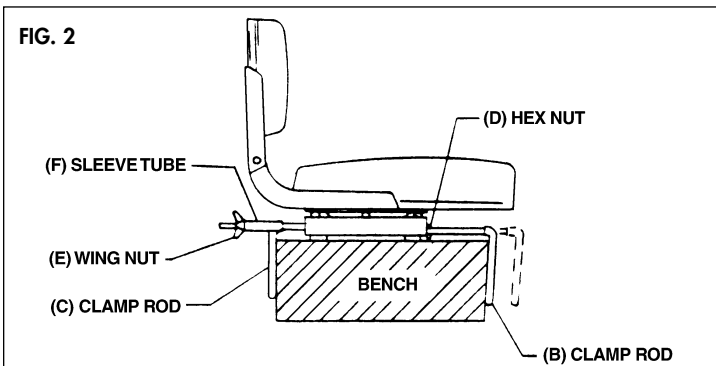
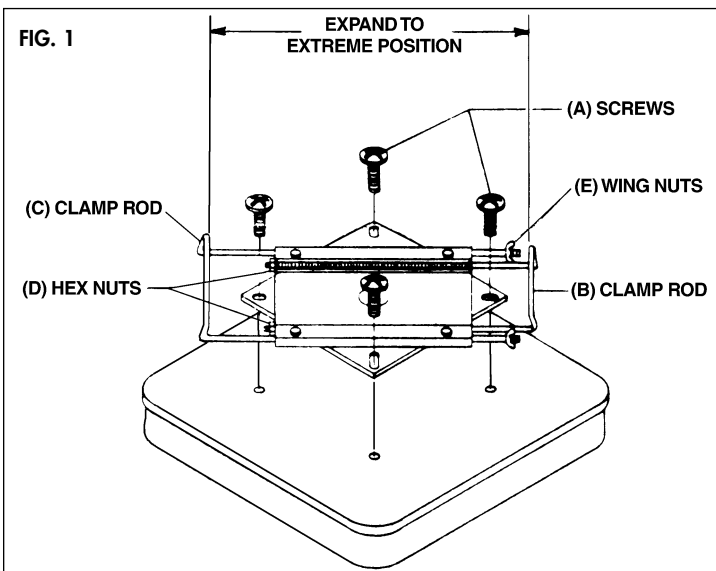
1. Extend clamp rods (B) and (C) by screwing out both hex nuts (D) and wing nuts (E) to the extreme ends of the threaded clamp rods (see fig. 1).
2. Place seat over bench with **WING NUTS TO THE REAR** (fig. 2).
3. Tighten up clamp as close as possible to bench's width using clamp rod (C) and hex nuts (D) first.
4. Secure clamp to bench by tightening wing nuts (E).

SPECIAL MOUNTING SITUATIONS

WIDE BENCHES:

For Benches 12½ inches to 15 inches

On wide benches; sleeve tubes (F) can be cut shorter or eliminated to give added width to the clamp (fig. 2).



For Benches 15 Inches to 18 Inches.

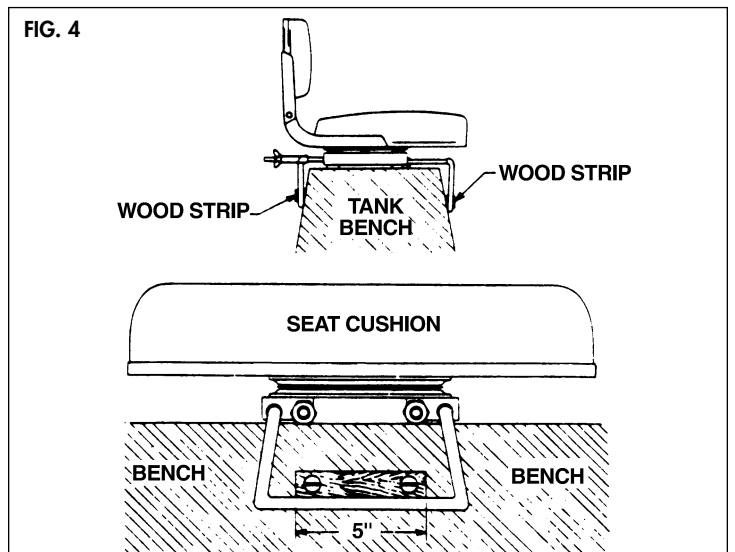
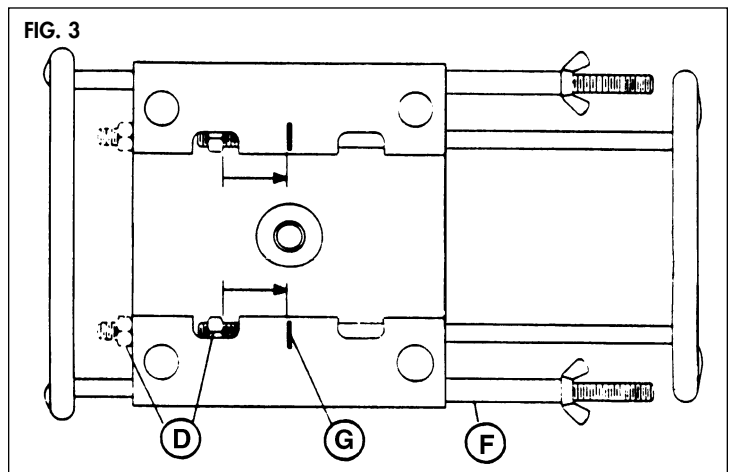
On extremely wide benches, remove sleeve tubes (F) from clamp assembly. Take off both nuts (D) and pull clamp rod out so the rod ends are exposed in notches as pictured in fig. 3. Thread on both nuts (D). Make certain that the nuts have threads extending through their ends. Pull clamp rod out so nuts abut with clamp washers (G) as pictured in fig. 3.

NARROW BENCHES: On some narrow benches, the clamp rods may extend beyond the seat. It may be advisable to cut the exposed rods and file the ends.

TANK TYPE BENCHES: On tank type benches as pictured in fig. 4, it is recommended that a wood strip be added to the tank and secured in position as illustrated. This will allow your seat to be mounted securely.

CARE AND MAINTENANCE

- Periodically grease swivel for easy operation.



Write for a Complete **EE3-In** Catalog

GARELICK
PO Box 8, 644 2nd Street
St. Paul Park, Minnesota 55071

Phone: 612-459-9795
E-mail: mail@garelick.com
On the Web: www.garelick.com