



Tandem Seat Slide Models 74001, 74002, 74003

ASSEMBLY INFORMATION

Read instructions thoroughly before starting assembly and installation.

Because of the wide variety of possible installations, mounting hardware is not supplied. **Recommended fasteners should be #14 or #16 stainless steel wood screws long enough to penetrate approximately 3/4 to 7/8 of the thickness of the seat substrate but not long enough to protrude through it as they may cause injury if sat upon.**

ASSEMBLY INSTRUCTIONS FOR 74001

Refer to Fig. 1

1. Remove slide rails and cross bar from packaging. Remove 1 screw from each end of the cross bar.
2. Install the cross bar between the release handles of the slide rails by placing one rubber washer on both sides of each handle, aligning the holes and inserting a screw to fasten into the ends of the cross bar. **Do not over tighten as the rubber must flex to allow for movement of the cross bar.**

ASSEMBLY INSTRUCTIONS FOR 74001, 74002, 74003

Refer to Fig. 2 and Fig. 3.

1. Turn the seat upside down to expose the seat bottom; center seat slide rails left-to-right and front-to-back. For models 74002 and 74003 determine which side is preferred for the release handle and then set the rails approximately 4" in from each side of the seat. Use a tape measure to assure that the rails are parallel to each other. **This is critical to the operation of the sliding action.** Mark 3 or 4 holes in each rail, depending on model of unit being installed, onto the seat bottom.
2. Drill 6 or 8 pilot holes, depending on model of unit being installed, of suitable size for the screws to be used. Fasten rails to seat bottom finger tight. **Measure between the rails front and back to assure the rails are parallel before final tightening of the screws. Record this measurement for later reference.**
3. Set the slide adjustment to the middle setting so there is equal upper slide extrusion extending from either end of the lower slide extrusion. Turn the seat right side up.
4. Determine the desired location for mounting the seat. If the surface is covered in carpeting, place a piece of cardboard or poster board over the area and secure with tape. Position the seat in the desired location, keeping in mind the seat will slide approximately 3" fore and aft. Mark the 4 outside corners of the lower slide extrusions on the cardboard. Remove the seat and turn it upside down.

(over)

FIG. 1

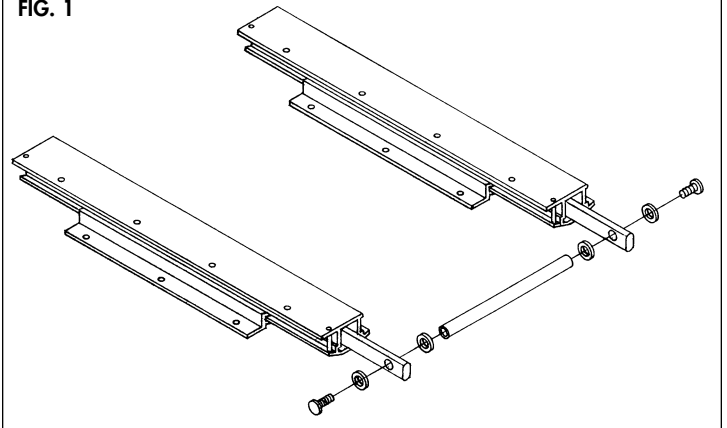
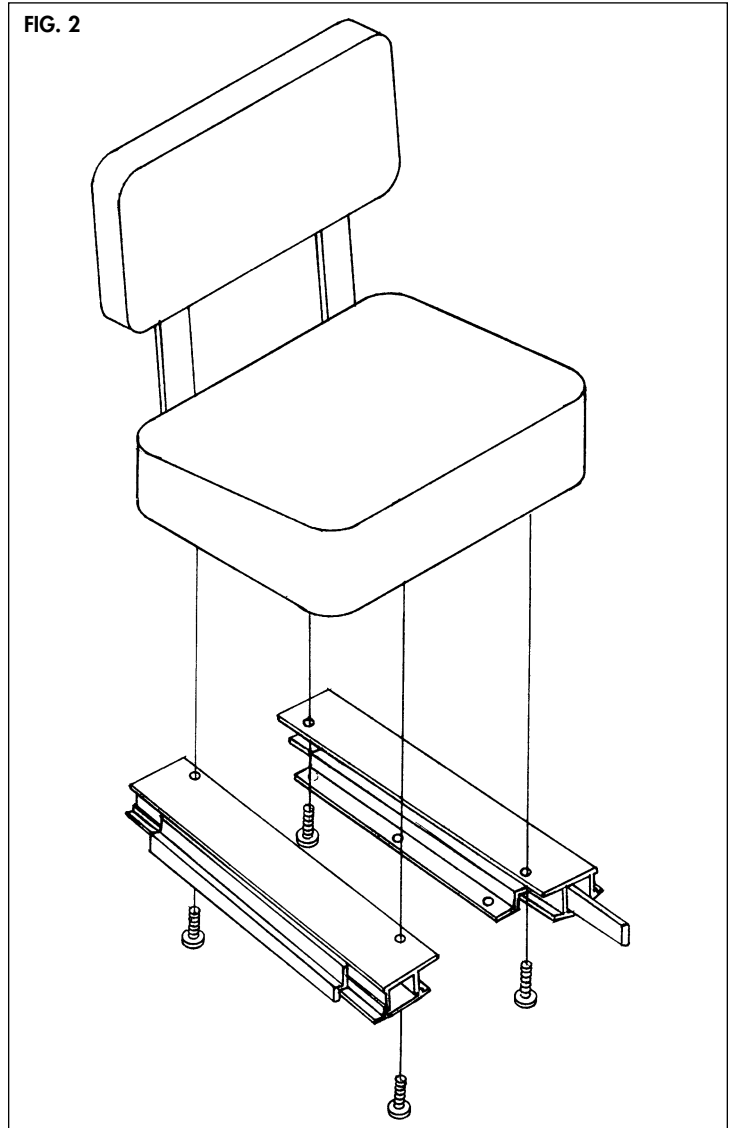


FIG. 2



5. Make a mental note of which side of the lower slide extrusion the mounting holes are on. Release the slide lock handle and remove the lower slide extrusions by sliding them in the direction opposite the release handle.
6. Place the lower slide extrusions within the 4 outside corner marks on the cardboard, **be sure the mounting holes are on the correct side.** Measure the distance between the rails and confirm the dimension as the same measurement recorded in step 2. Carefully mark the position of the 6 mounting holes so as not to move the rails out of position.
7. Drill 6 pilot holes of suitable size for the screws to be used. Remove the cardboard or poster board and discard.
8. Fasten rails to the mounting surface. Continue checking the rails for proper position using the measurement from step 2 before finishing tightening of screws. **Remember, it is critical that the rails remain parallel in order to slide. If this instruction is not followed the slide will bind and not slide freely.**
9. Carefully line up seat and rails, slide seat into position from front to back. The release handle will have to be in the released position in order for full engagement of the rails.
10. Test the operation of the slide by sitting in the seat and moving the release handle to the full left, push back with your feet and the slide should move smoothly to the rear. Pull forward and the slide should move forward. There should be a slight resistance from the viscosity of the grease but there should not be any binding. If the slide binds, then the rails are improperly installed and need to be adjusted as instructed in steps 6 through 8.

OPERATING INSTRUCTIONS

1. Sit in the seat with feet flat on the deck. Grasp slide lock release handle and move it to the left until it stops. Push to the rear with your feet and the slide will adjust to the rear. Release the handle and the lock will automatically hunt for the next stop position. There is a lock position every inch for approximately 6" of adjustment. To adjust forward, repeat the above procedure except to pull with your feet and the slide will adjust forward. Release the handle and the unit will find a stop position.
2. To maintain proper operation over time, it is recommended that the slide rails and locking pin be lubricated occasionally with a light grease. Lubricants have a tendency to dissipate over time and as this happens the slide will become difficult to operate. Use a light marine or automotive grease and brush a thin coat on all mating/sliding surfaces.

