



Instructions for mounting

Form 12.506

Model 48536 – 36" Length x 5" Height

Model 48548 – 48" Length x 5" Height

Cockpit Side Coaming Bolster – Premium White Quilted Vinyl

Replace or add comfort and padded protection to inside coaming wall area of any cockpit, especially fish boats!

Note: Before drilling any holes in your boat always check paper template against back of bolster and make sure pilot hole locations line up with centers of 1-1/4" holes in back of bolster. When properly mounted, top of bolster to center of mounting holes are approximately 2-1/4" and 2-3/4" respectively as shown in Figure (1).

INSTALLATION

Secure either* 36" or 48" bolster to gunwale coaming as shown in Figure (1) with use of paper template provided. Tape paper template in desired position where bolster is to hang and mark at point A of Figure (2) as shown, repeat for each hole desired location. Attach upholstery clip (B) fasteners to boat surface.

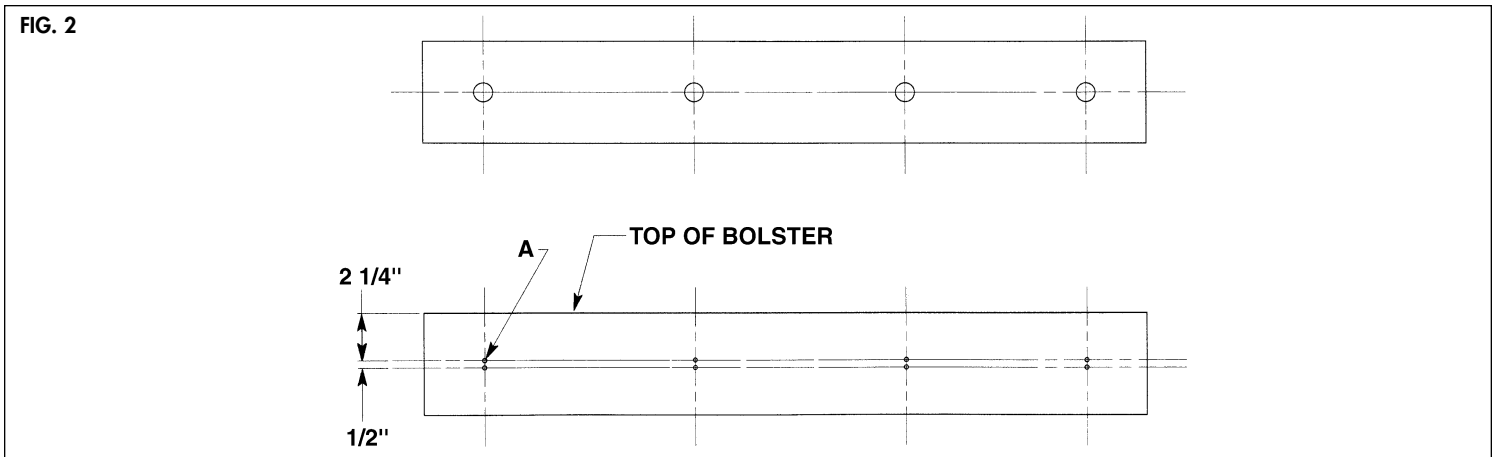
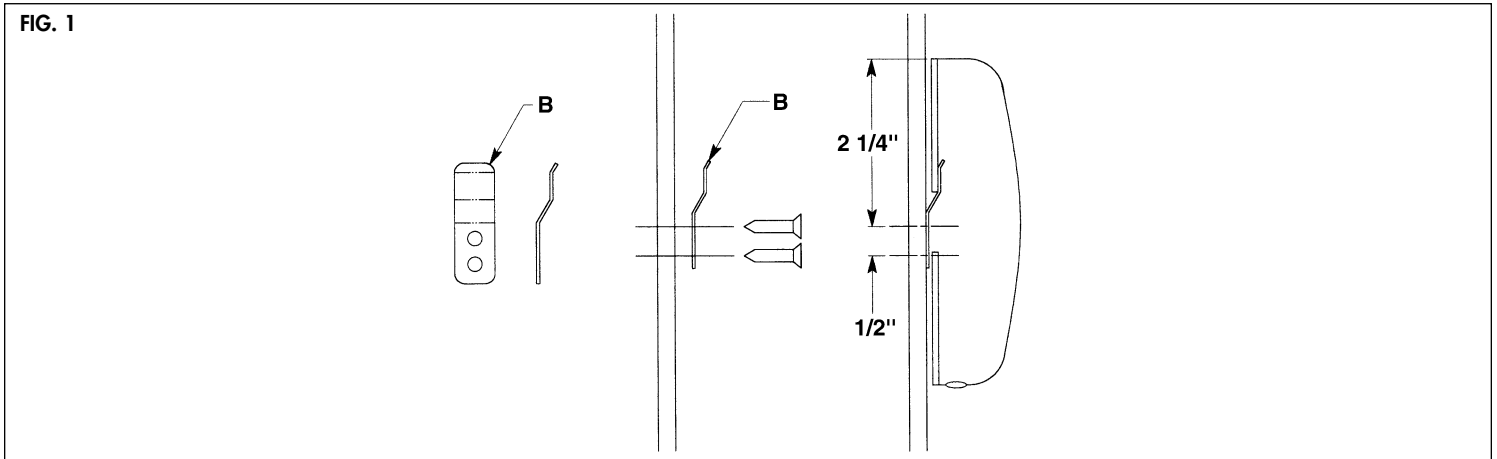
Mounting Hardware

3 (4) - 66.978	Upholstery Clips (B)
3 (4) - 03.168	#8 Screws

Insert top edge of each clip into 1-1/4" hole on back of bolster and push down and in place (See Figure (1)).

These bolsters are somewhat flexible by design and can be used around moderate curved areas in your boat.

*Both sizes can be used or abutted up to each other to accomplish desired coverage.



Write for
a Complete
EEz-In Catalog

GARELICK
PO Box 8, 644 2nd Street
St. Paul Park, Minnesota 55071

Phone: 651-459-9795
E-mail: mail@garelick.com
On the Web: www.garelick.com