



Side Gunwale Utility/Fighting Seat, Model 48099

1. This seat is designed to be mounted to the port or starboard bulkhead in the cockpit area as shown (Fig. 1).
2. The maximum mounting height is approximately 24" and can be adjusted lower by cutting the Leg "U" (G). When cutting to length, cut small increments to avoid cutting off too much tube. **Caution:** for maximum support, leg "U" (G) should be angled at 45 degrees back to the coaming perpendicular as illustrated.

GIMBAL ATTACHMENT

1. Determine on which side of boat (port or starboard) seat is to be mounted.
 - Remove seat cushion (A) from support tube frame (B) by removing four 1/4"-20 screws (C).
3. Attach gimbal (D) at point shown on either side of frame – depending on port or starboard installation – so that when mounted, the gimbal will face the transom of the boat.
4. Re-attach seat cushion (A) to support tube frame (B).

MOUNTING INSTRUCTIONS

1. Slip Shur-loc catches (E) onto ends of both seat supports. Position and mark four mounting holes on side coaming. Secure Shur-loc catches in position by drilling four holes with a 9/64" bit and using screws (F). **Note:** Larger opening must face up and rubber gasket must be inside catch for proper operation.
2. Attach seat to boat by inserting latch bolts on the seat support frame (B) into large opening of catch slot (E) and slide seat down. Seat should sit level to deck. To remove seat, pull seat up and then out of catch socket.

STORAGE

To store seat compactly, detach seat frame (B) from Shurloc catches (E). Remove the leg "U" (G) from leg support and fold in.

FIG. 1

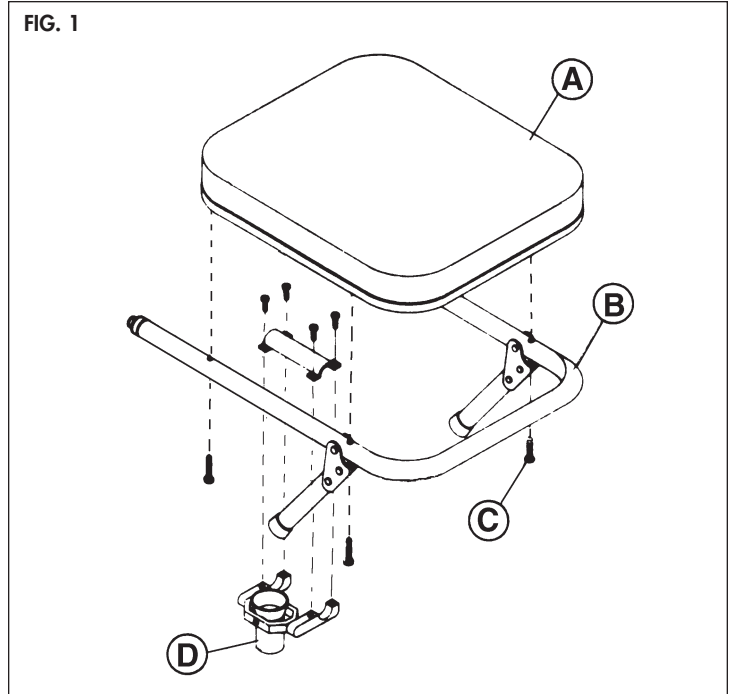
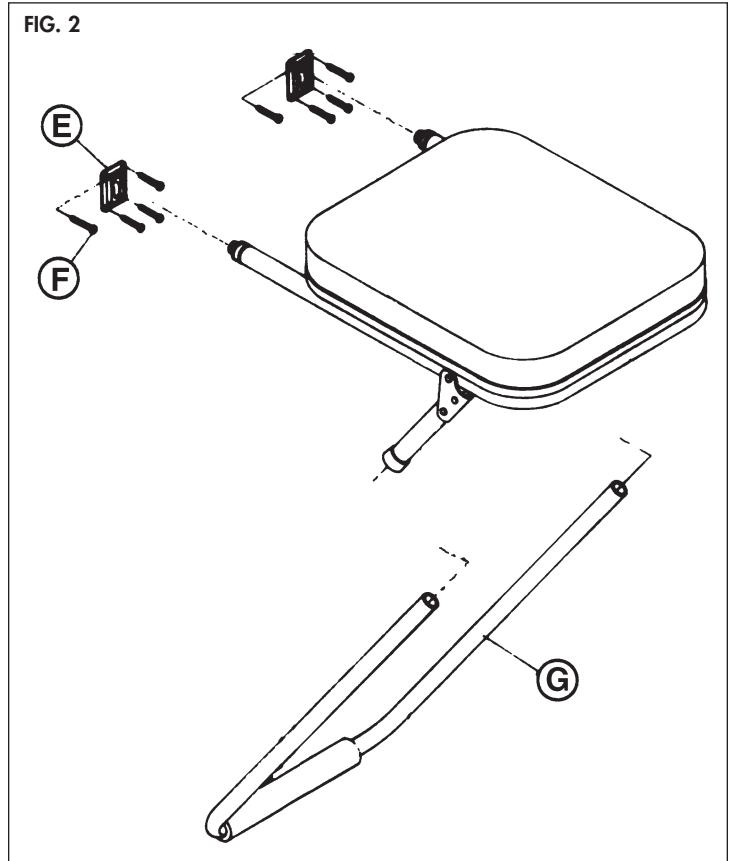


FIG. 2



Parts List

Ref. Letter	Factory Part No.	No. Req.	Description
A	53.992	1	Seat cushion
B	53.993	1	Seat frame
C	03.078	4	1/4"-20 x 1 1/2" screw
D	75010	1	Tube gimbal
E	76000	1 pr.	Shur-loc catches
F	03.114	8	#8 x 1" S.S. screw
G	53.985	1	Leg "U"