



Mounting Instructions for Models 40016, 40018, 40020, 40021, 40022, 40024, 40028 Seats with Folding Helmsman Hardware and Model 75044 Side Mount Helmsman Seat Hardware

MOUNTING INFORMATION

1. Check parts against parts list.
2. Read instructions completely before starting mounting.
3. **NOTE: This product uses locknuts for a secure assembly. Locknuts thread harder than conventional nuts and require a screwdriver and wrench for attachment.**

TOOLS REQUIRED

1. Screwdriver
2. Crescent wrench adjustable to 7/16"
3. Drill

MOUNTING GUIDELINES

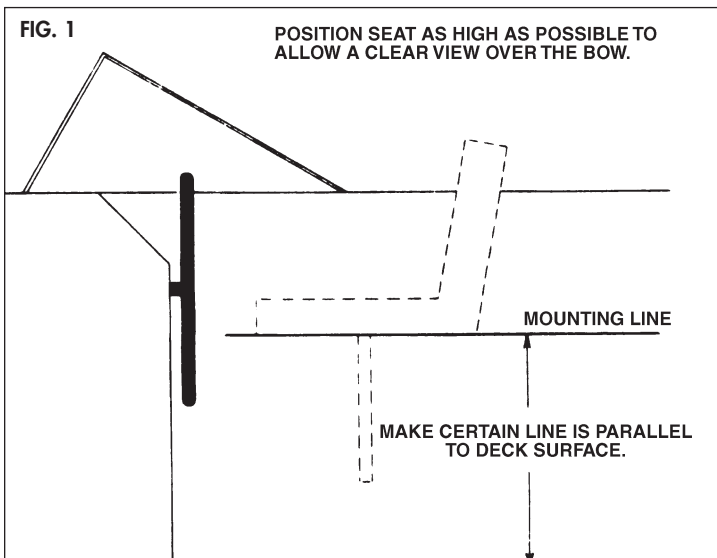
For best utilization of your helmsman seat, it is recommended that the seat be mounted:

- a. As high as possible to enable a clear view over the bow.
- b. As close as possible to the wheel, leaving just enough room to slide on to the seat from the side (see fig. 1).

MOUNTING INSTRUCTIONS

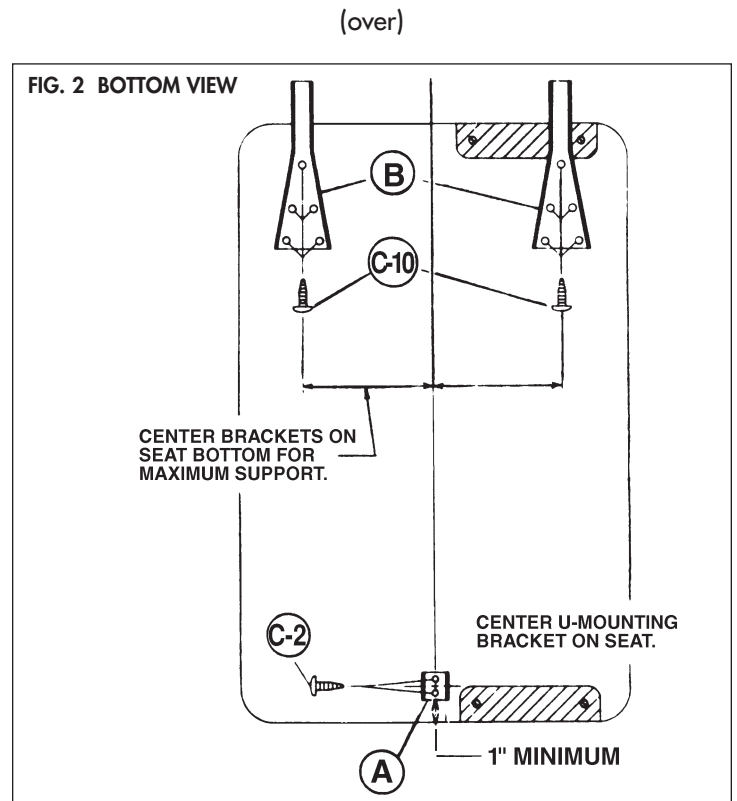
1. Position seat on port or starboard bulkhead of boat so it will conform to the Mounting Guidelines given above. Mark a line on the bulkhead where the seat bottom is positioned (see fig. 1). Make certain that the line is:
 - a. parallel to the deck's surface
 - b. located on a good, solid surface suitable for mounting.

NOTE: This line will be used to position U-brackets (A) in step 7.
2. Refer to fig. 2 and position both support brackets (B) on the bottom of the seat so that:
 - a. Support bracket is allowed to extend a minimum of 1"



Parts List			
Ref. Letter	Factory Part No.	No. Req.	Description
A	50.455	4	U-mounting bracket
B	59.026	2	Support bracket
C	03.096	18	#10-3/4" screw
D	03.080	4	1/4-20x1 1/2" bolt
E	03.017	4	1/4-20 locknut
F	59.214	1	Stanchion leg (tapered) top
G	59.215	1	Stanchion leg bottom
H	10.001	1	1" white poly tip

- a. from seat bottom. However, make certain that all screw holes are located on the seat bottom.
 - b. Brackets are spread apart from each other on seat bottom for maximum support and stability.
 - c. Brackets' centerlines should be parallel to each other. This will allow proper hinging action.
- NOTE:** It is allowable to mount support brackets over the hinge on the seat bottom for correct positioning.
3. Mark the brackets' hole locations on the seat bottom and drill all with a 1/8" bit.



Write for
a Complete
EEz-In Catalog

GARELICK
PO Box 8, 644 2nd Street
St. Paul Park, Minnesota 55071

Phone: 651-459-9795
E-mail: mail@garelick.com
On the Web: www.garelick.com

Assembly Instructions – Models 40016, 40018, 40020, 40021, 40022, 40024, 40028 Seats with Folding Helmsman Hardware and Model 75044 Side Mount Helmsman Seat Hardware

4. Secure the brackets to the seat bottom by aligning the holes and using screws (C).
5. Position U-mounting bracket (A) on seat bottom so it is centered on the seat's side and at least 1" from edge. Align the U-mounting bracket so that the walls of it face fore and aft (see fig. 2). Mark the 2 holes and drill them with a 1/8" bit. Secure the bracket in position with 2 screws (C).
6. Attach 2 U-mounting brackets (A) to support brackets (B) by aligning their holes and inserting bolts (D) as in fig. 3. Secure with locknuts (E). Fingertighten only. These nuts will have to be removed in step 8.
7. Position the attached U-mounting brackets (A) against the line drawn in step 1. Mark the brackets' hole locations on the side bulkhead and drill all 4 with a 1/8" bit (see fig. 3).
8. Remove the 2 U-mounting brackets from the support brackets and align them with the drilled holes on the side bulkhead. Secure with 4 screws (C).
9. Attach seat to boat by aligning support brackets' and U-mounting brackets' holes, inserting bolts (D) and securing with locknuts (E) as in fig. 3.

10. Determine method of seat support to be used as illustrated in fig. 4.

For angled leg mount: Attach stanchion leg (assembled) to U-mounting brackets by using bolts (D) and locknuts (E). Position and mark U-mounting brackets' location on side bulkhead at the position where seat is parallel to deck surface. Drill the 2 bracket holes with a 1/8" bit and secure it in position with 2 screws (C).

For straight leg mount: Attach leg (assembled) to U-mounting bracket on seat bottom using bolt (D) and locknut (E). Check to see that seat bottom is parallel to deck surface. If not, cut off the appropriate length of tubing with a hacksaw and slip poly tip (H) on the end of stanchion leg. NOTE: Tip will go on more easily after being heated in warm water.

11. If fore and aft adjustment of seat is desired, then seat may be adapted by using Model 75005 side slide assembly. Also, for boats used in rough water or by heavy people, an H-type stanchion leg – Model 75014 – is available.

