



Model 31900 Motor Carrier

ASSEMBLY INFORMATION

1. Check parts against parts list.
2. Read instructions completely before starting assembly.

TOOLS REQUIRED

1. Wrench adjustable to 9/16"
2. Screwdriver
3. Hammer

CAUTION: Woodblock and tubing will crush if over-tightened.

MOTOR CARRIER ASSEMBLY

Refer to Fig. 1:

1. Slide each end of axle (A) through large holes #1 of upright support tubes.
2. Attach woodblock (C) to top of upright support tubes by aligning holes #2, inserting four carriage bolts (D) and securing with fasteners (E) and (F) as illustrated (finger tighten).

Refer to Fig. 2:

1. Insert handles (G) into SHORT ENDS of J-tubes (H).
2. Align holes #3 so that the handles will point AWAY from each other, insert bolts (I); secure with fasteners (E) and (F) as illustrated (finger tighten).

(over)

Parts List Model 31900 Motor Carrier

Ref. Letter	Factory Part No.	No. Req.	Description
A	51.033	1	Axle
B	51.035	2	Upright support tube
C	06.318	1	Plastic Block
D	03.003	4	1/4-20x3 1/2" carriage bolt
E	03.118	14	1/4" lockwasher
F	03.023	14	1/4-20 nut
G	51.022	2	Handle (L&R)
H	51.032	2	J-tube
I	03.074	2	1/4-20x1 1/4" bolt
J	03.089	4	1/4-20x2 3/4" bolt
K	51.014	1	Handle brace, 25"
L	03.088	4	1/4-20x2 1/2" bolt
M	51.034	1	Bottom brace, 18 1/2"
O	49.096	4	Wheel
P	03.039	2	Pushnut
Q	49.003	2	Caster
R	03.022	2	3/8-16 locknut
S	06.027	2	Poly handgrip

FIG. 1

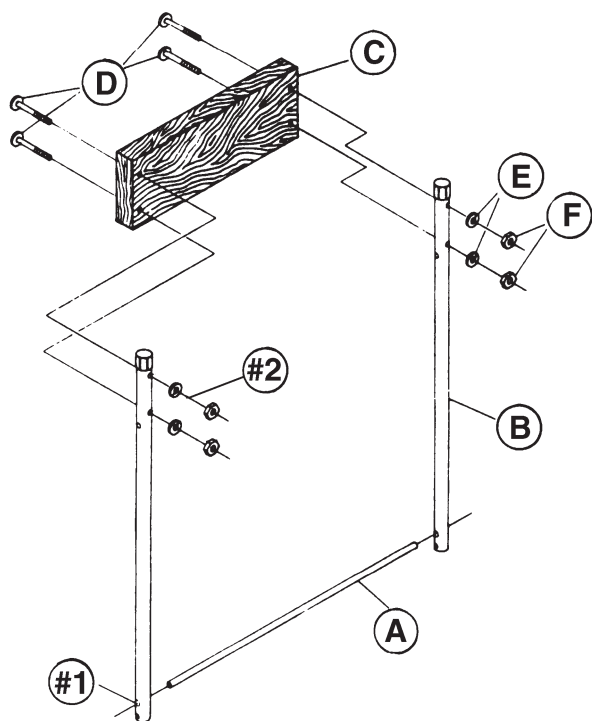
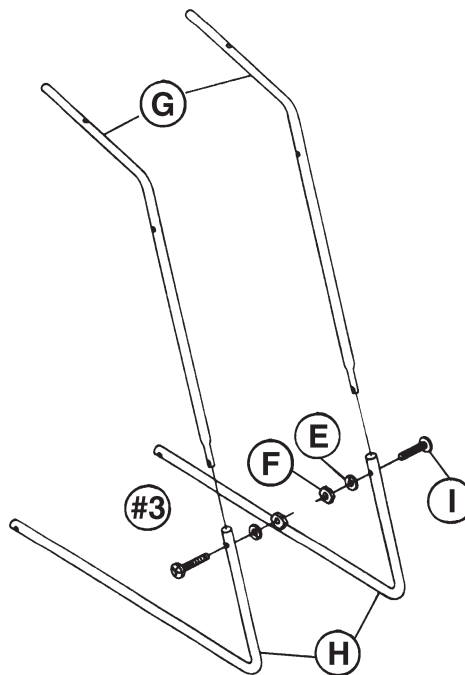


FIG. 2



Refer to Fig. 3:

1. Place handle assemblies from fig. 2 on the INSIDES of upright support tubes as illustrated. NOTE: Make certain that handles point AWAY from each other.
2. Align holes #4, insert bolts (J); secure with fasteners (E) and (F) as illustrated (finger tighten).
3. Align holes #5, insert bolts (J); secure with fasteners (E) and (F) as illustrated (finger tighten).

Refer to Fig. 4:

1. Attach handle brace (K) across TOP of handles by aligning holes #6, inserting bolts (L) and securing with fasteners (E) and (F) as illustrated (finger tighten).
2. Attach bottom brace (M) across BOTTOM of J-tubes by aligning holes #7, inserting bolts (L) and securing with fasteners (E) and (F) as illustrated (finger tighten).

3. Mount two wheels (O) on each end of axle.

4. Using pushnuts (P), secure wheels by tapping them on axle squarely with hammer.
5. Thread caster shanks (Q) through large holes #8 in J-tubes and secure with locknuts (R) as illustrated (finger tighten).
6. Tighten all nuts and bolts on carrier.
7. Slip poly handgrips (S) on handles. NOTE: Grips go on more easily after being heated in warm water.
8. Periodically lubricate wheels and polish* aluminum to ensure a long life.

NOTE: Recommended for motors 30–115 H.P./315 lbs.

**Eez-In marine polish, Model 65010, available.

