

ASSEMBLY INFORMATION

1. Check parts against parts list.
2. Read instructions completely before starting assembly.

TOOLS REQUIRED

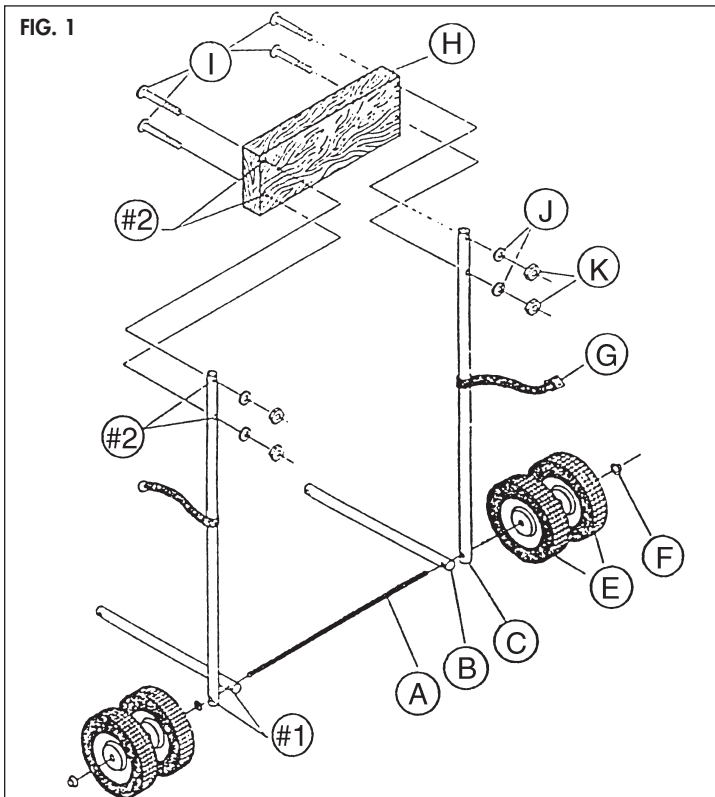
1. Wrench adjustable to 7/16"
2. Screwdriver
3. Hammer

CAUTION: Woodblock and tubing will crush if over-tightened.

MOTOR CARRIER ASSEMBLY

Refer to Fig. 1:

1. Slide axle (A) through large holes #1 of bottom brace tubes (B) on each end.
2. Slide each end of axle through holes #1 of upright support tubes (C).
3. Mount two wheels (E) on each end of axle.
4. Using hubnuts (F), secure wheels by tapping them on axle squarely with hammer.
5. Slide loop ends of tank tiestraps (G) over upright support tubes.
6. Attach woodblock (H) to each end of upright support tubes by aligning holes #2, inserting four carriage bolts (I) and securing with fasteners (J) and (K) as illustrated (finger tighten).



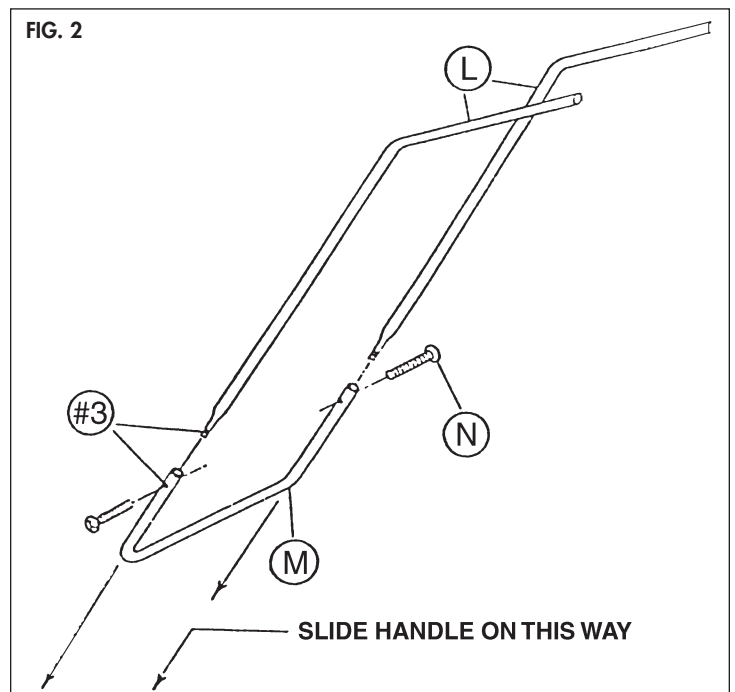
Parts List

Model 31800 Motor Carrier

Ref. Letter	Factory Part No.	No. Req.	Description
A	51.024	1	Axle
B	51.015	2	Bottom brace, 16½"
C	51.027	2	Upright support tube, 33½"
E	49.096	4	Wheel
F	03.039	2	Pushnut
G	49.041	1	Tank tiestrap (2 parts)
H	51.029	1	Woodblock
I	03.003	4	¼-20x3½" carriage bolt
J	03.118	12	¼" lockwasher
K	03.023	12	¼-20 nut
L	51.022	2	Handle (left and right)
M	51.023	1	Bottom U
N	03.088	4	¼-20x2½" bolt
O	03.089	4	¼-20x2½" bolt
P	51.014	1	Handlebrace
Q	51.025	1	Tankholder U-tube
R	06.027	2	Poly handgrip

Refer to Fig. 2:

1. Insert handles (L) into bottom U (M).
 2. Align holes #3 in assembly so that the handles will point AWAY from each other and insert bolts (N). NOTE: DO NOT add fasteners yet.
- (over)



Refer to Fig. 3:

1. Slide handle assembly (Fig. 2) into upright support assembly (Fig. 1) as shown. NOTE: Handle assembly will rest on the INSIDES of upright support tubes.
2. Align holes #4, insert 2 bolts (O), and secure with fasteners (J and K) as illustrated (finger tighten).
3. Align holes #5 of braces (B) and handle assembly. NOTE: Place braces on the OUTSIDE of handle assembly.
4. Place bolts (N) from Fig. 2 through holes #5 of braces and secure with fasteners (J and K) as illustrated (finger tighten).

Refer to Fig. 4:

1. Attach handle brace (P) across TOPS of handles by aligning holes #6, inserting bolts (N) and securing with fasteners (J and K) as illustrated (finger tighten).
2. Drape tank tiestraps (H) over woodblock so loops are above holes #7.
3. Position tankholder U-tube (Q) as illustrated. NOTE: Place tankholder on the INSIDES of main upright tubes; U opens out facing forward.
4. Align holes #7, insert bolts (O) and secure with fasteners (J and K) as illustrated (finger tighten).
5. Tighten all nuts and bolts on carrier.
6. Slip poly handgrips (R) on handles. NOTE: Grips go on more easily if they are first heated in warm water.

STORAGE AND MAINTENANCE

1. For storage, carrier can be folded by removing two bolts at holes #4, folding up tankholder U-tube and securing in position with tank tiestraps.
2. Periodically lubricate wheels and polish* aluminum to ensure a long life.

*EEz-In marine polish, Model 65010, available.

