



Installation Instructions for Models 19514, 19515, 19516 Double Folding Transom Platform Ladders

Form 12.198

ASSEMBLY INSTRUCTIONS

1. Attach both mounting brackets (A) to the ladder verticals as illustrated in Fig. 1. Be careful to note the ladder's hinge's direction for proper orientation (see Fig. 2). Use screws (B) and nuts (C). Finger tighten only.

MOUNTING INSTRUCTIONS

1. Choose the most suitable side of your transom platform for mounting the ladder. When mounting, locate a place where the ladder will not interfere with the turning of the motor or be excessively near the propeller of your craft.
2. Position the ladder so that both upright ladder tubes touch the platform's edge (Fig. 2). Make sure that the ladder hangs straight down when positioning.

3. Using the brackets as a template, mark the four bracket holes on the platform for drilling (Fig. 2).

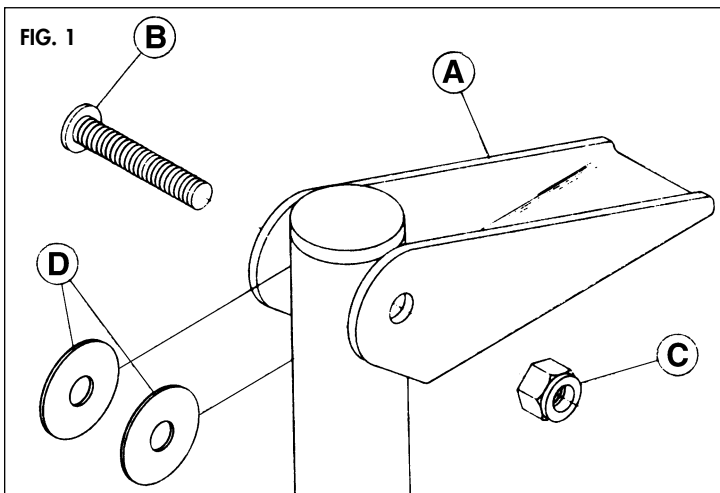
NOTE: Make certain that the brackets are located on a strong, solid surface of the platform. If this is not possible, use a doubler as shown to make the platform strong enough for mounting.

4. Drill the four marked holes with a suitable drill bit; make sure to keep the drill perpendicular to the platform's surface.
5. Remove the two brackets from the ladder and mount them to the platform using fasteners that are suitable for your particular installation.

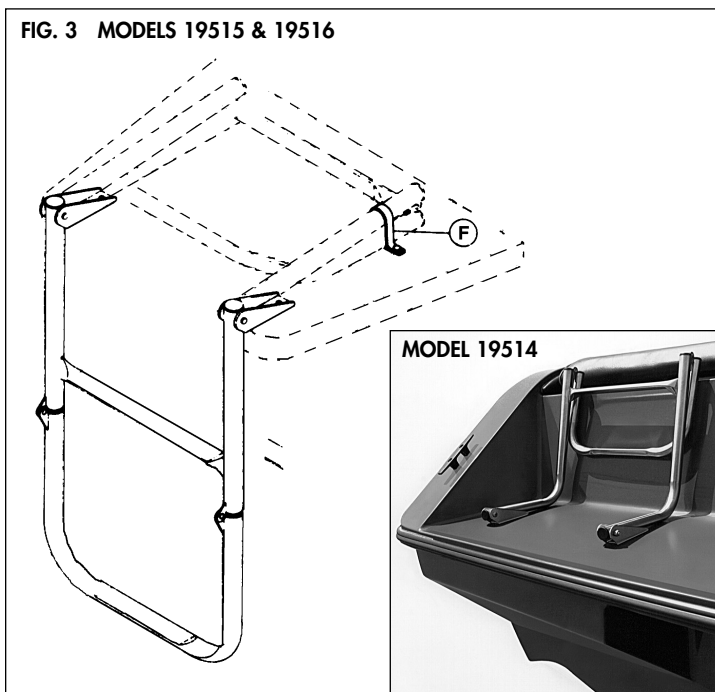
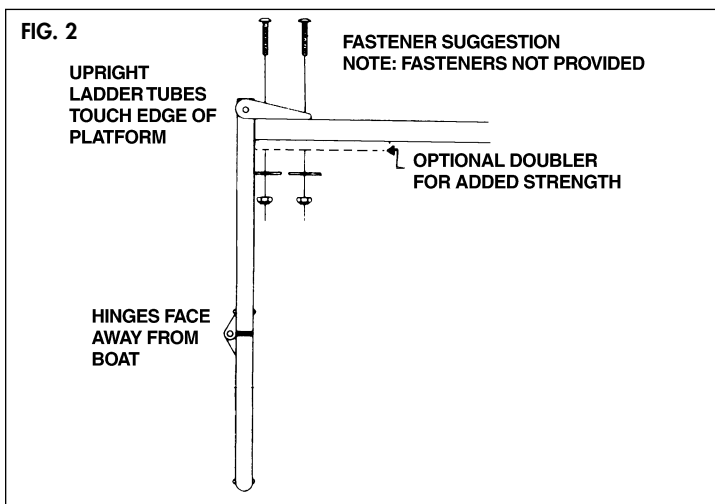
NOTE: Fasteners are not provided for this as the installations vary.

6. Reattach ladder to the mounted brackets again using screws (B), washers (D), and nuts (C) as in Fig. 1.
7. Fold the ladder up and place the Velcro strap (F) as shown in Fig. 3.
8. Periodically check fasteners for tightness and polish the stainless steel with a suitable marine grade polish to insure longevity.
9. Fold ladder up and secure when underway.

DO NOT USE THIS LADDER WHEN THE BOAT'S MOTOR IS RUNNING.



Parts List			
Ref. Letter	Factory Part No.	No. Req.	Description
A	50.329	2	Transom mtg. bracket
B	03.082	2	1/4-20 x 1 3/4" s.s. machine screw
C	03.221	2	1/4-20 Hx s.s. 1W locknut
D	03.130	4	3/4 x 1 7/64 x 1/6 pp. washer
F	49.205	1	Velcro strap



Write for
a Complete
EE3-In Catalog

GARELICK
PO Box 8, 644 2nd Street
St. Paul Park, Minnesota 55071

Phone: 612-459-9795
E-mail: mail@garelick.com
On the Web: www.garelick.com