

# Model 15330/15340/15350 Dock Ladders

## ASSEMBLY INSTRUCTIONS

1. Check parts against parts list.
2. Read instructions completely before starting assembly.
3. NOTE: This product uses locknuts for a secure assembly. Locknuts thread on harder than conventional nuts and require a screwdriver and wrench for attachment.
4. Loosely secure all fasteners until assembly is complete.

### Refer to Fig. 1: Assemble both right and left sides.

1. Determine which ladder you have. (3, 4 or 5 step)
2. Slide tubes "A" through hole in channel "B" as shown. Secure in holes #1 and #2 with bolts "C" and nuts "D." (Finger tighten only.)
3. Attach tubes "E" in channels "B" (Note: notch in channel supports long leg of tube.) as shown. Secure in holes #3 and #4 with bolts "C" and nuts "D." (Finger tighten only.)
4. Align steps "F" with holes #5 in vertical as shown. Secure with screws "G." Loosely secure until all steps are in position. **Note: If using a 4 or 5 step ladder, leave the third step off and proceed to instruction 5, otherwise skip to instruction 6.**
5. Insert tubes "M" and "L" into tubes "E" and "A." Install the third step to hold the tubes. Attach the fourth step "F" and, if required, the fifth step.
6. Insert flat plug "H" on bottom end of verticals. (Lightly tap in to prevent damage to plug.)
7. **Tighten all fasteners.**

## MOUNTING INSTRUCTIONS

1. Choose a suitable location with a solid mounting surface. A backing plate is recommended for thin surfaces. (NOTE: Fasteners are not provided due to the wide variety of installations.) Choose a suitable fastener for use with the supplied bracket mount.
2. Hold the ladder with the verticals in contact with the deck and the channels flat on the mounting surface. Mark the mounting holes using the channel and brackets as a template. Remove ladder.
3. Drill appropriate holes for the fasteners selected.
4. Secure ladder in position.

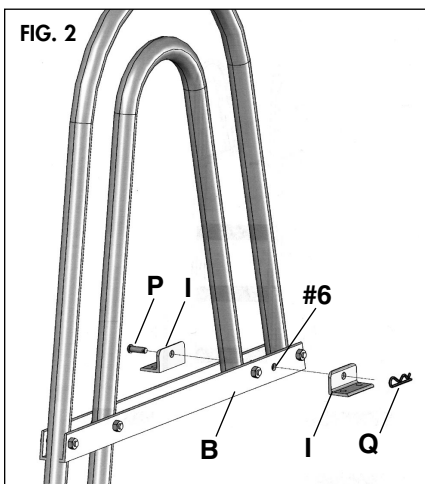
## 99204 OPTIONAL QUICK RELEASE MOUNTING INSTRUCTIONS

### Refer to Fig. 2:

1. Attach angle brackets "I" to channel "B." Secure in holes #6 and #7 with quick release pin "P" and hair pin "Q."
2. Hold the ladder with the verticals in contact with the deck and the channels flat on the mounting surface. Mark the mounting holes using the brackets as a template. Remove ladder.
3. Drill appropriate holes for the fastener.
4. Secure ladder in position.

### To Remove Ladder

1. Pull hair pin "Q." Remove quick release pin "P" and stow ladder away accordingly.



## Parts List Model 15330/15340/15350 Dock Ladder

Ref. Letter	Factory Part No.	No. Req.	Description
A	50.870	2	Ladder vertical 75¼"
E	50.871	2	Ladder vertical 86¾"
B	02.178	2	Extr. channel
C	03.082	8	MS PPH SS ¼-20 x 1¾"
D	03.221	8	L/N NI HX SS ¼-20
E	(see above)		
F	02.177	3-5	Extr. step 16"
G	03.628	18-30	SMS PPH SS T/A 14 x 2"
H	06.184	4	Flat plug
I	50.894	4	Angle bracket
L	50.897	2	Tube insert - small hook, 4-step
L	50.901	2	Tube insert - small hook, 5-step
M	50.896	2	Tube insert - large hook, 4-step
M	50.900	2	Tube insert - large hook, 5-step
P	49.361	2	Quick release pin
Q	03.660	2	Hair Pin

FIG. 1

