

TELEFLEX MORSE Industrial Products

TELEFLEX MORSE Marine Products

Clutch or Throttle Detent Kit

**Part Number: 022328 (Clutch)
022329 (Throttle)**

For use with: Teleflex Morse Controls - S, Twin S or SM

Installation Instructions

This manual must be accessible to the owner/user of the Morse Marine Product

**PLEASE READ THESE INSTRUCTIONS CAREFULLY
AND THOROUGHLY BEFORE INSTALLING OR OPER-
ATING THIS CONTROL!**

All specifications and features are subject to change without notice.



6980 Professional Parkway East
Sarasota, FL 34240
941/907-1000
FAX 941/907-1020

Clutch Detent Kit Installation

See Figure 1

1. Remove the two screws from side of control housing.
2. Place clutch detent plate (Item #1) in position and attach with two screws removed in Step 1
3. Remove top screw on control hand lever.
4. Insert ball (Item #2) and spring (Item #3) and replace screw. Tighten screw securely
5. Set the stop screws to correspond with detent positions of plate and transmission. Proceed with setting the travel stop screws (below).

Throttle Detent Kit Installation

See Figure 2.

1. Same as clutch detent kit Installation **except** use the throttle detent plate (Item #1) as shown in Figure 2.

NOTE:

The throttle detent plate (item #1) may be assembled for use in a right or left hand control head installation

Setting Travel Stop Screws

See Figures 1 and 2.

1. Remove nameplate on top of control housing.
2. For the clutch detent kit, set the stop screws as required to prevent the control head hand lever from traveling further than the forward and reverse detent positions.
3. For the throttle detent kit, set the stop screw to prevent the control head hand lever from traveling beyond the "full open" detent position.
4. Replace nameplate and tighten screws securely

NOTE:

For additional information and adjustment procedures, refer to control head instructions.

SM Kit Installation

1. Same procedure as for Model S **except** SM does not have stop screws.

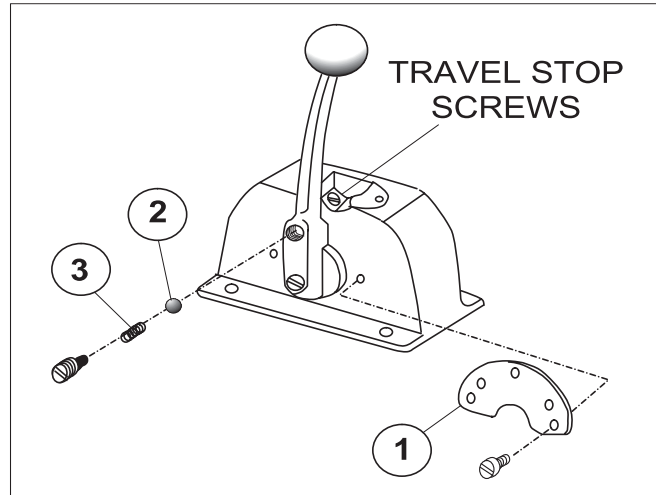


Figure 1
Clutch Kit Part Number 022328

Item No.	Description	Number Req.	Part No.
1	Plate, Clutch Detent	1	021268
2	Ball, Ø.313 " (Ø.7.95), Spherical	1	051600-003
3	Spring, Detent	1	025440

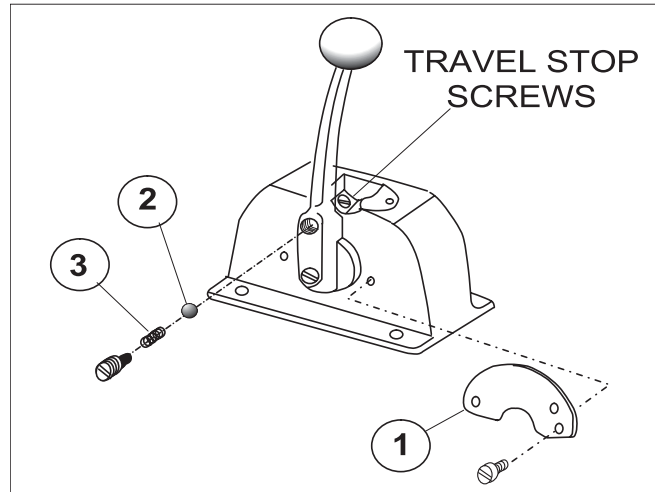


Figure 2
Throttle Kit Part Number 022329

Item No.	Description	Number Req.	Part No.
1	Plate, Throttle Detent	1	021269
2	Ball, Ø.313 " (Ø.7.95), Spherical	1	051600-003
3	Spring, Detent	1	025440