

NEUTRAL START SWITCH CA68075 for CH 4400 CONTROLS INSTRUCTIONS

INSTALLER: THESE INSTRUCTIONS CONTAIN IMPORTANT SAFETY INFORMATION AND MUST BE FORWARDED TO THE BOAT OWNER.

This kit contains necessary parts to provide 'Start in Gear Protection', by allowing the starter motor to be engaged only when the control is in "neutral". Use this kit only with marine engines that use a solenoid for control of the starter motor.

Place the switch (item 1) over the two pins on the control, so that the plunger on the switch is pointing up. Position clip (item 2) into recess in control, and fasten in place with screw (item 3) See Figure 1.

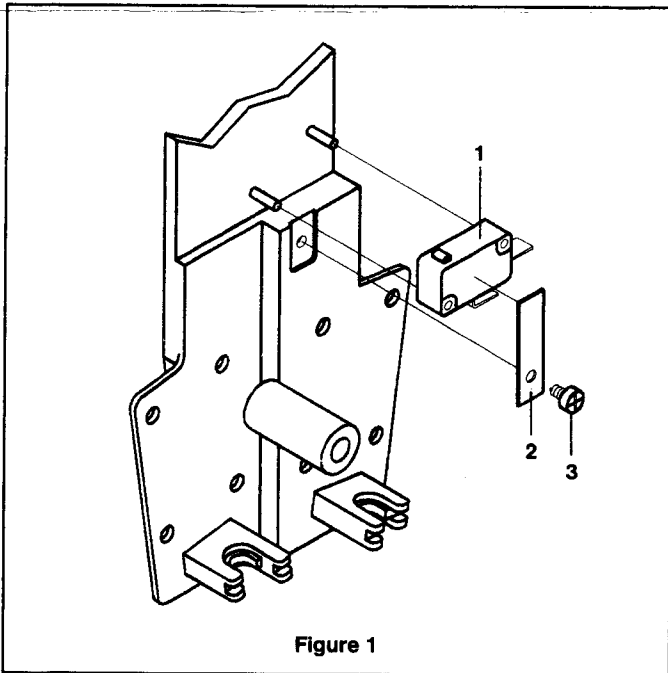


Figure 1

Connect one wire of the harness to the "Start" terminal on ignition switch and the other to the positive terminal of the starter solenoid. See figure 2.

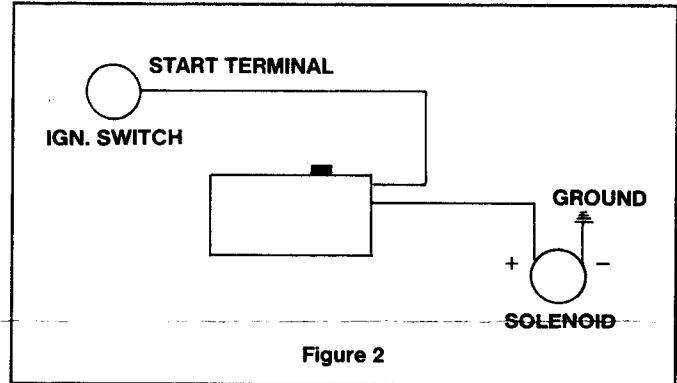


Figure 2

WARNING
CONNECTION TO THE GROUND TERMINAL OF THE SOLENOID WILL SHORT CIRCUIT AND DESTROY THIS SWITCH.

Check for correct operation by trying to start the engine at all gear lever positions. If the engine starts in either forward or reverse positions, check connection at ignition switch.

PARTS LIST		
ITEM	DESCRIPTION	QTY.
1	Switch	1
2	Clip	1
3	Screw	1
4	Harness	1