

INSTALLER: THESE INSTRUCTIONS CONTAIN IMPORTANT SAFETY INFORMATION AND MUST BE FORWARDED TO THE BOAT OWNER.

THIS KIT CONTAINS PARTS REQUIRED TO ADAPT 3300 MIRACABLES (MANUFACTURED BY TELEFLEX INC., U.S.A) TO MERCURY INBOARD THROTTLE AND SHIFT CONTROL LEVERS.

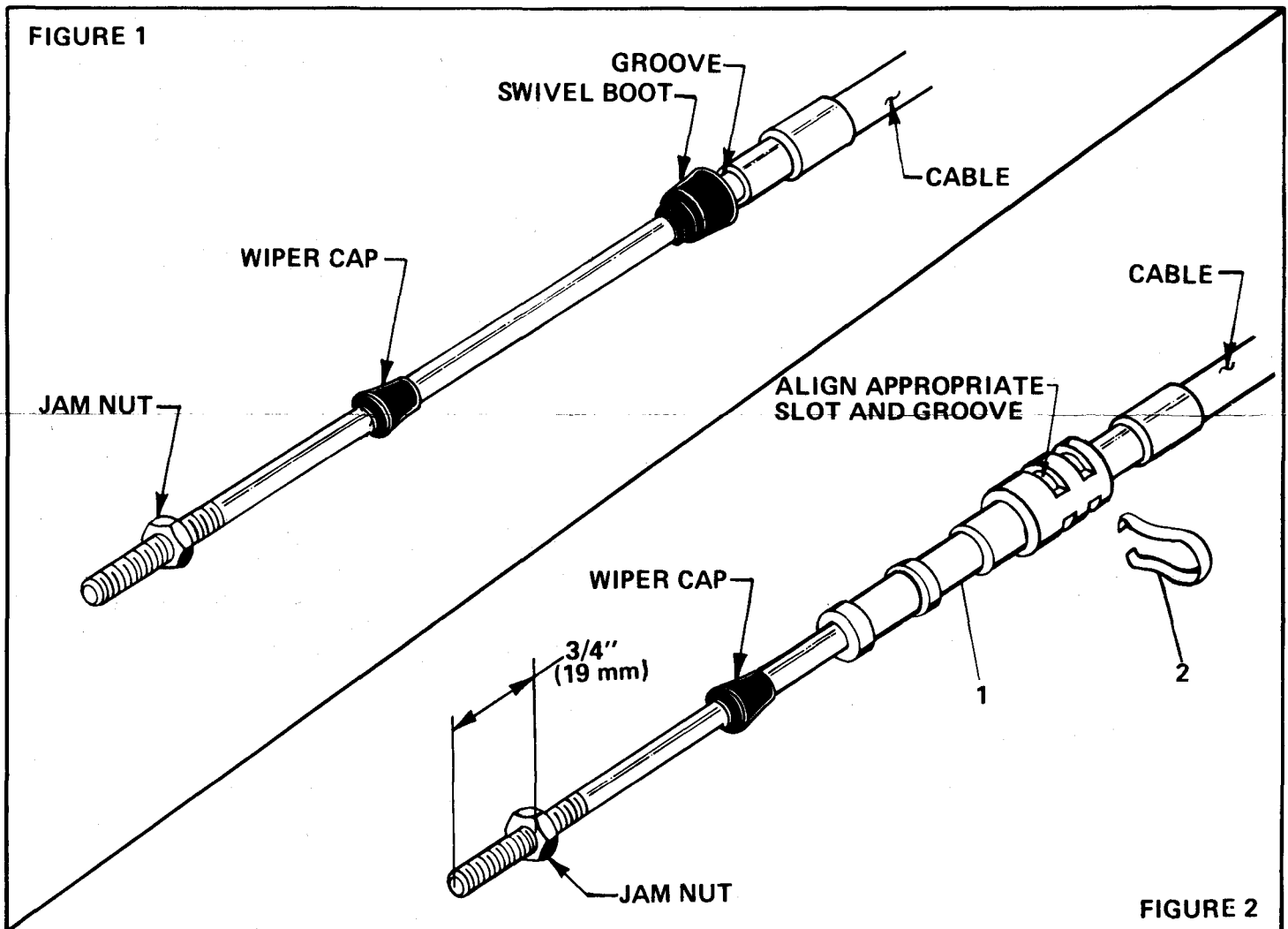
CAUTION

READ THESE INSTRUCTIONS THOROUGHLY BEFORE PROCEEDING WITH ASSEMBLY. CHECK CONTENTS OF THE KIT AGAINST PARTS LIST ON THIS INSTRUCTION SHEET. PARTS SUPPLIED MUST BE USED PER INSTRUCTIONS. THE COMPANY CANNOT ACCEPT RESPONSIBILITY FOR THE INTEGRITY OF INSTALLATIONS IN WHICH SUBSTITUTE PARTS ARE USED.

CABLE INSTALLATION AND MOTOR CONNECTION MUST BE MADE IN ACCORDANCE WITH THE MOTOR MANUFACTURER'S INSTRUCTIONS. TO ENSURE BEST REMOTE CONTROL PERFORMANCE, FREE OPERATION OF ALL MOTOR LINKAGE IS ESSENTIAL. OBSERVE ALL MOTOR MANUFACTURER'S RECOMMENDED PROCEDURES FOR ADJUSTMENT AND LUBRICATION.

ASSEMBLY INSTRUCTIONS

1. Remove jam nut, wiper cap, and swivel boot from one end of each cable (See Figure 1). Save jam nut and wiper cap for re-use.



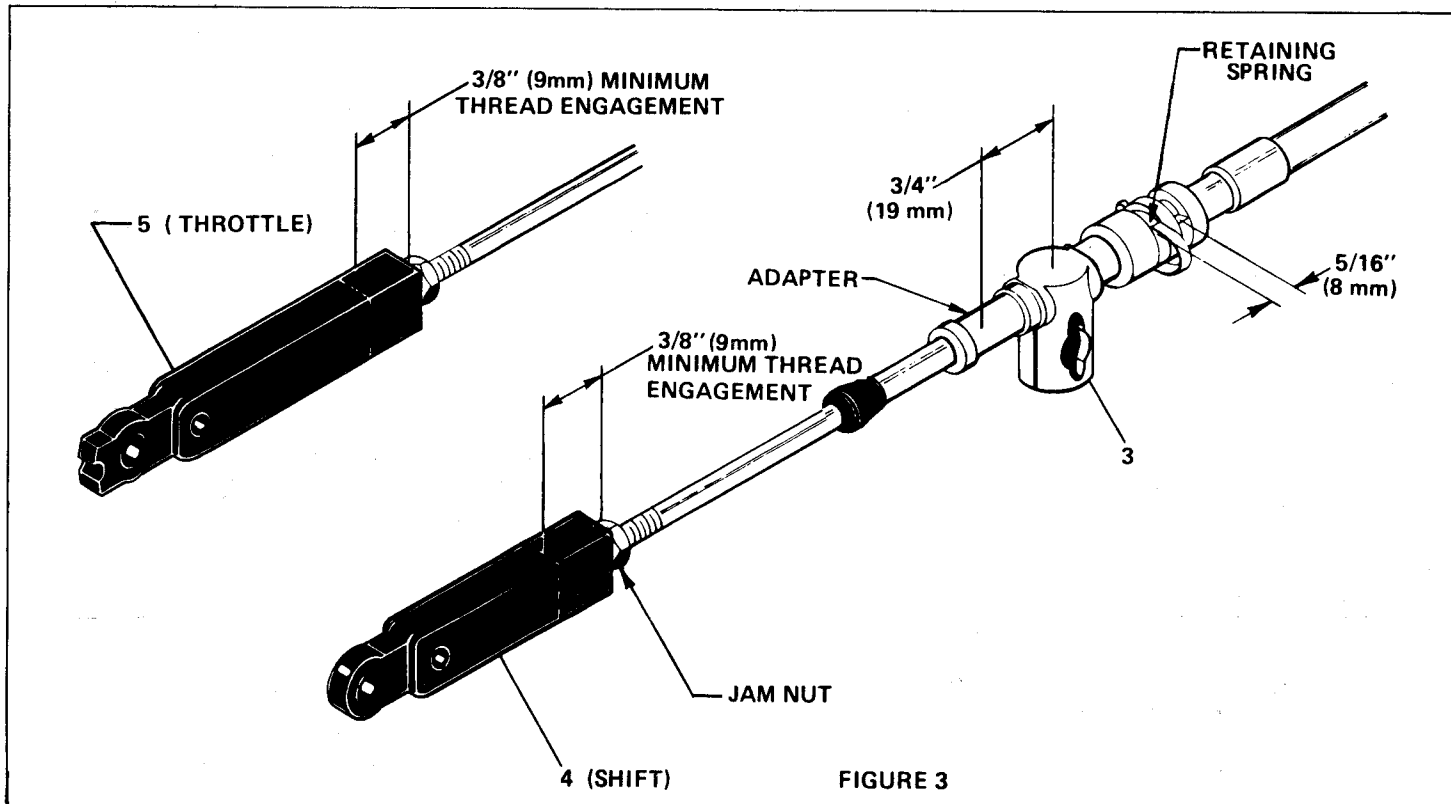


FIGURE 3

2. Consult motor manufacturer's manual to determine requirements for cable travel dimensions. Slide one Adapter (item 1) over engine end of each cable until slot in Adapter is aligned with groove in cable end fitting, as shown in Figure 2. Insert Retainer Spring (item 2) into the appropriate slot and snap into place. Be sure Retainer Spring is fully seated, locking Adapter securely to cable as shown. Replace wiper cap on cable swivel tube.
3. Place one Anchor Nut (item 3) over one of the undercuts on each Adapter as shown in Figure 3. Press firmly on Anchor Nut to snap it into position.
4. Thread a jam nut onto each cable rod, exposing 3/4" (19 mm) of thread.
5. Thread Short Connector (item 4) onto rod end of shift cable until it touches jam nut. Tighten jam nut securely against Connector, as shown.
6. Thread Long Connector (item 5) onto rod end of throttle cable until it touches jam nut. Tighten jam nut securely against Connector.

ASSEMBLY ADJUSTMENT

In order to meet the proper dimensional requirements specified by motor manufacturer for different installations, a number of adjustments are possible. The Anchor Nut may be placed in one of the two undercuts in the Adapter, providing an adjustment of 3/4" (19 mm). The cable end of the Adapter has two locating slots 5/16" (8 mm) apart for additional adjustment. Should this be required, remove the Retainer Spring, being careful not to damage or deform it. **CAUTION: DO NOT ATTEMPT TO REPAIR A BENT OR DAM-**

AGED SPRING. IT MUST BE REPLACED. A DAMAGED SPRING COULD ALLOW THE ADAPTER TO SLIDE FREELY ON CABLE, WITH SUBSEQUENT LOSS OF CONTROL. Align the desired locating slot with groove in cable end fitting, and replace Retainer Spring. Check to make sure that Adapter is locked securely to cable end.

The Connector (Item 4 or 5) may be unthreaded up to 3/8" (9 mm) for fine adjustment. **WARNING: A minimum thread engagement of 3/8" (9 mm) MUST be maintained to ensure mechanical integrity.** After this adjustment has been made, tighten jam nut securely against base of Connector.

NOTE: All of these adjustments are to be made at the time of installation of cable to motor, and in accordance with the motor manufacturer's instructions.

BEFORE STARTING MOTOR, CHECK ENTIRE ASSEMBLY. OPERATE CONTROLS AND OBSERVE MOTION OF THROTTLE AND SHIFT CONNECTIONS ON ENGINE. ENSURE ALL CONNECTIONS ARE CORRECTLY INSTALLED AND PROPERLY TIGHTENED.

PARTS LIST		
Item	Description	Quan.
1	Adapter	2
2	Retainer Spring	2
3	Anchor Nut	2
4	Connector 2-1/4"	1
5	Connector 2-3/4"	1