

# Morse Marine Products

Part Number A300928

Neutral Safety Switch Kit  
for  
1976 St'd MV Controls

1. Assemble switch (4) to control using screws (2), lockwashers (3) as shown in Fig. 1. Pay special attention which way shift arm is assembled so that switch is mounted correctly and will not conflict with shift arm when control is operated. See Fig. 2 and 3.
2. Attach cam (1) to shift arm using retaining screw and lockwasher provided with control.
3. Terminals (5) are provided to connect switch electrically. Wire switch into circuit between the starter solenoid and starter key switch. Connect to the common and normally closed terminals of switch on control.

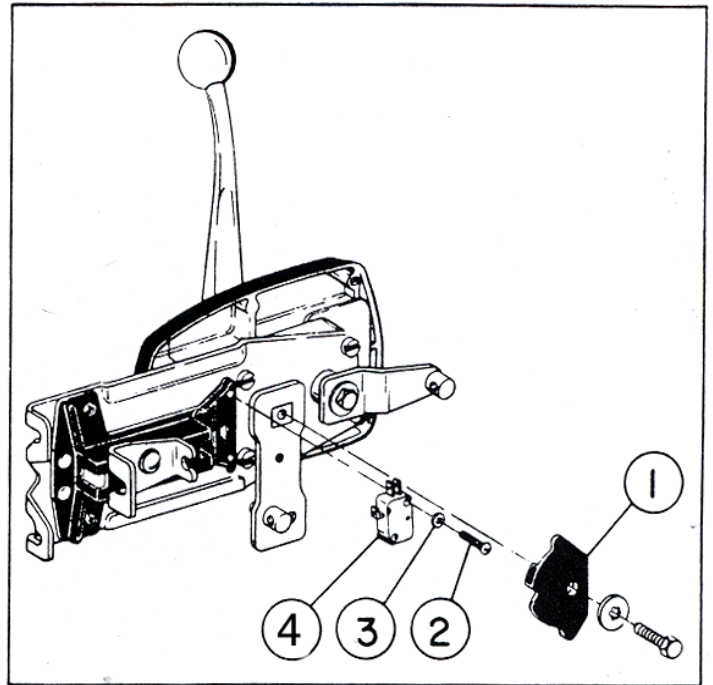


Figure 1

Item	Description	No. Req'd.	Part Number
1	Cam	1	061697
2	Screw, Rd. Hd. Slot #4-40 x 5/8" lg.	2	050588-512
3	Lockwasher, Int. Tooth #4	2	050803-023
4	Switch	1	051801-022
5	Terminal (Not Shown)	2	051802-068

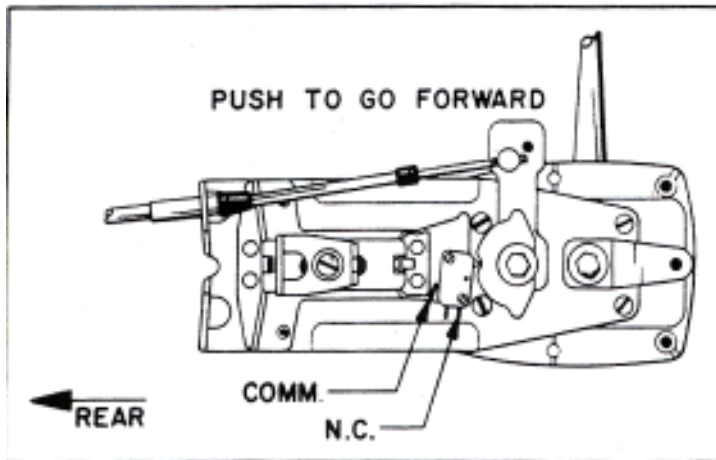


Figure 2

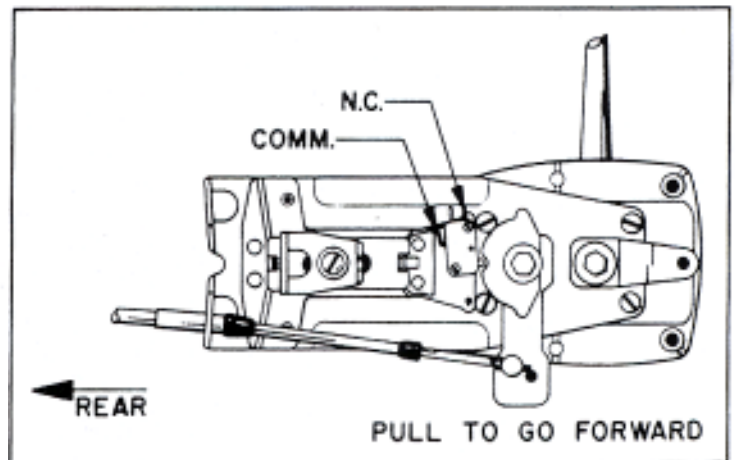


Figure 3

10-1240-7776

Inst. Sheet P/N 055001-240  
Rev. 8/05

**Teleflex Morse**  
electrical systems  
A Division of Teleflex Incorporated (USA)

6980 Professional Pkwy E. Sarasota, FL 34240  
(941) 907-1000 FAX (941) 907-1020 www.tfix.com