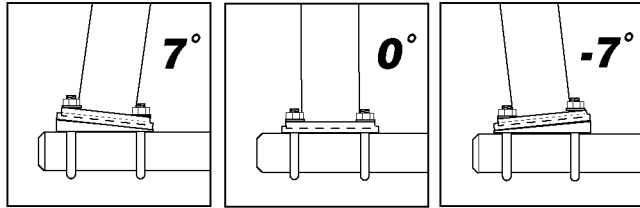




Hull Sav'r

48" & 60" PVC Shock Absorbing Boat Guide Installation Instructions

Part #86200 - 48" PVC Boat Guide
Part #86201 - 60" PVC Boat Guide



No Wedge Dampener

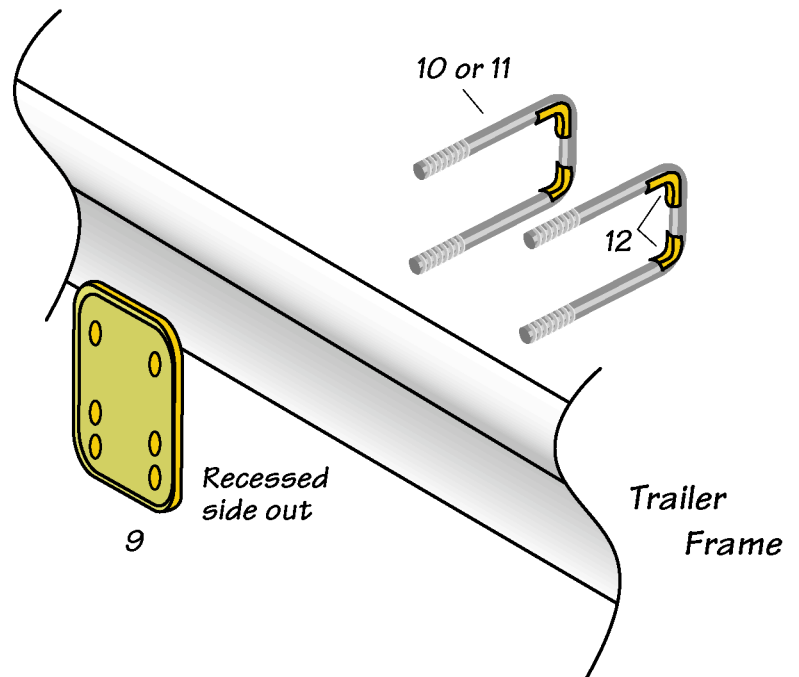
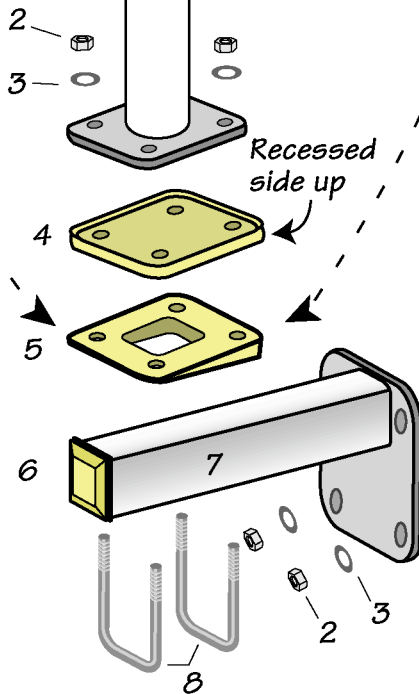


Parts List

#	Part #	Description	Qty
1a	48088	48" PVC Guide Assembly	2
OR			
1b	48088	60" PVC Guide Assembly	2
2	10623	Lock Nut 3/8"	16
3	10502	Flat Washer 3/8"	16
4	48362	PVC Guide Damper	2
5	48364	Damper Wedge	2
6	48363	End Cap small 2x2	2
7	44049	Horizontal Side Guide	2
8	83073	U-Bolt 3/8 x 2.19 x 3.5	4
9	48365	Side Mount Damper	2
10	83074	U-Bolt 3/8 x 3.19 x 3.75	4
11	83075	U-Bolt 3/8 x 4.19 x 3.75	4
12	48360	U-Bolt Protector	8

1a
48" PVC Guide

1b
60" PVC Guide



Part #15370

TIE DOWN ENGINEERING • 5901 Wheaton Drive • Atlanta GA, 30336
www.tiedown.com • (404) 344-0000 • FAX (404) 349-0401



032503.518