

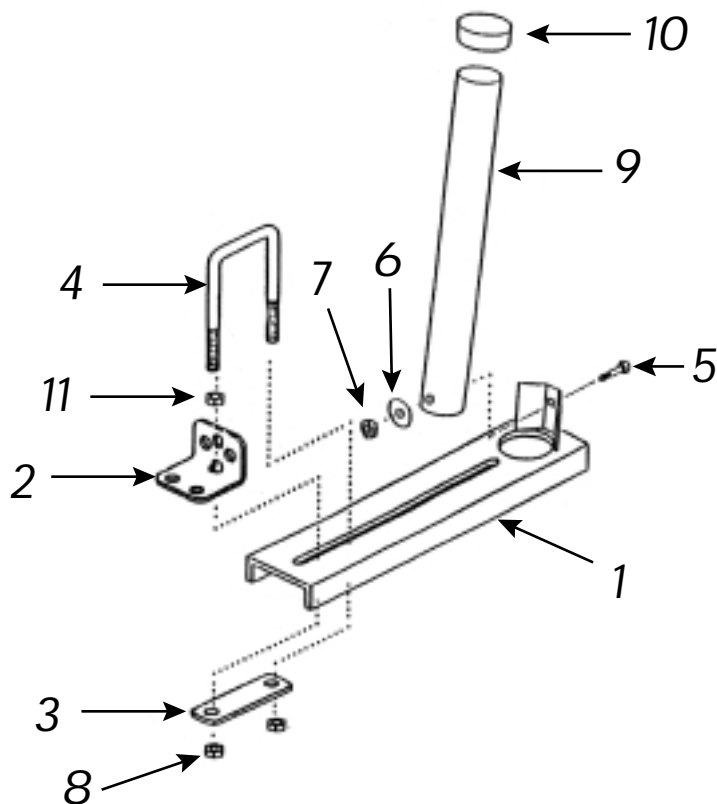


# Boat Guides

Assembly Instructions  
Part # 86105

This kit contains the following components:

Part #	Description	Qty.
#1	Guide Base	2
#2	Angle Adjuster	2
#3	Link Bar	2
#4	U-Bolt	2
#5	Carriage Bolt 3/8" x 3"	2
#6	Flat Washer 3/8"	2
#7	3/8" Hex. Nyloc Nut	2
#8	1/2" Hex Nyloc Nut	4
#9	Guide Tube	2
#10	Guide Cap	2
#11	1/2" Hex Nuts	2



Installing your Boat Guides:

1. Determine the position for the guides on your trailer. (Side Guides are normally installed as far back as possible on the trailer). Place U-Bolt over frame. Determine the hole in Angle Adjuster that most closely fits your frame width and slide Angle Adjuster over inside leg of U-Bolt. NOTE: For frames less than 3" wide and more than 3" deep, thread 1/2" nut onto U-bolt first.