



Heavy Duty Guide On Post

Assembly Instructions
Part #86103 - 48" Model
Part #86119 - 60" Model

This kit contains the following components:

Description	Qty.
34" x 1-1/2" sq. Support Tube	2
Upper Mounting Plate	2
Lower Mounting Plate	2
3/8" x 5" Hex Head Bolt	8
3/8" Hex Nyloc Nut	8
3/8" Flat Washer	16
48" or 60" PVC Tube	2
Red Plastic Caps	2

Tools required:

9/16" deep socket & 9/16 wrench

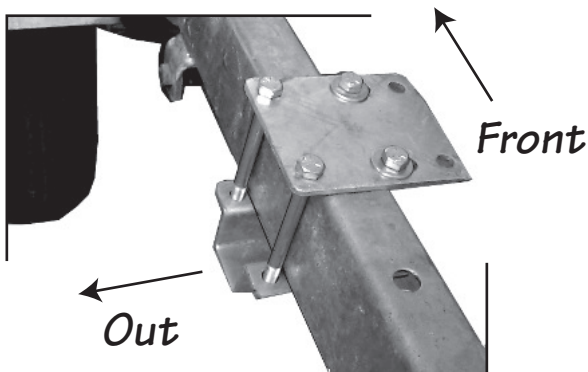


Figure 1

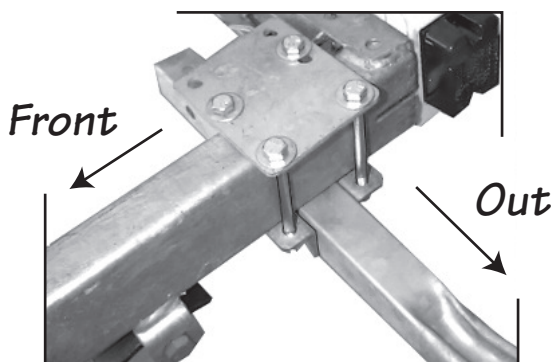


Figure 2

Installing your Boat Guides: Complete Parts Assembly Diagram on Back

1. Before assembling the mounting hardware as shown in figure 1, decide where you will want the guides placed on your trailer.
2. Using 4 - 3/8"x5" carriage bolts, 8 flat washers and 4 nyloc nuts, for each, attach the guide support mounts onto your trailer frame, as shown in figure 1. Use the holes that will keep the bolts closest to the frame tube. Finger tighten at this time. Repeat for other side.
3. Slide the guide support tube into the assembly as shown in figure 2.
4. Adjust the guide tubes for proper distance on each side. Tighten support mounts bolts at this time.
5. Slide the PVC tubes over the metal tubes. PVC tubes have holes in the side to let air out when submerged. Position the PVC tube so that the holes are on top. Place the red caps on the top of the PVC tubes.

Instructions # 15341

TIE DOWN ENGINEERING • 5901 Wheaton Drive • Atlanta GA, 30336
www.tiedown.com • (404) 344-0000 • FAX (404) 349-0401



072707, A682



Heavy Duty Guide On Post Assembly Instructions

