

INSTALLER: THESE INSTRUCTIONS CONTAIN IMPORTANT SAFETY INFORMATION AND MUST BE FORWARDED TO THE BOAT OWNER.

PART "A" SPLASHWELL INSTALLATION

CONTENTS OF THIS KIT PROVIDE A THRU WALL MOUNTING FOR STEERING CABLES (MANUFACTURED BY TELEFLEX INCORPORATED, U.S.A.) AND IS DESIGNED FOR USE WITH SPLASHWELLS UP TO 30" (760 mm) WIDE.

WARNING

READ THESE INSTRUCTIONS THOROUGHLY BEFORE BEGINNING INSTALLATION. FAILURE TO FOLLOW THESE INSTRUCTIONS, OR INCORRECT ASSEMBLY COULD RESULT IN STEERING FAILURE WITH SUBSEQUENT PERSONAL INJURY AND PROPERTY DAMAGE. IN ORDER TO OBTAIN THE BEST STEERING PERFORMANCE, THE OUTBOARD MOTOR OR OUTDRIVE MUST BE INSTALLED AND LUBRICATED AND THE TRIM TAB ADJUSTED IN ACCORDANCE WITH THE MOTOR MANUFACTURER AND THE BOAT MANUFACTURER'S SPECIFICATIONS. CHECK THE CONTENTS OF THIS KIT AGAINST THE PARTS LIST ON THIS INSTRUCTION SHEET. USE PARTS SUPPLIED ONLY AS INSTRUCTED ON THIS SHEET. DO NOT SUBSTITUTE PARTS OR COMPONENTS FROM OTHER STEERING MANUFACTURERS. THEY CAN CAUSE A SAFETY HAZARD FOR WHICH TELEFLEX, USA CANNOT ACCEPT RESPONSIBILITY.

PREPARATION FOR INSTALLATION

NOTE: A MINIMUM SPLASHWELL WALL THICKNESS OF 1/2 INCH (13mm) IS REQUIRED FOR INSTALLATION OF THIS KIT. This minimum dimension may be met by reinforcing the mounting area with Marine plywood of the appropriate thickness, and positioned as shown in figures 1 & 2. It is essential that the structural integrity of the splashwell wall be sufficient to withstand all steering loads which may be imposed on it.

1. Using the splashwell template (Fig. 3), lay out and drill mounting and clearance holes as shown. NOTE: LOCATION MUST BE ON THE SAME SIDE OF THE BOAT AS THE STEERING CABLE ROUTING.

2. If a reinforcing block is necessary it should be fabricated using same hole sizes and configurations as shown in Figure 3. The reinforcing block must be installed behind the splashwell wall.

ASSEMBLY AND INSTALLATION

Caution: The Ball retainer (Item 4) Gimbal Ball (Item 3) and

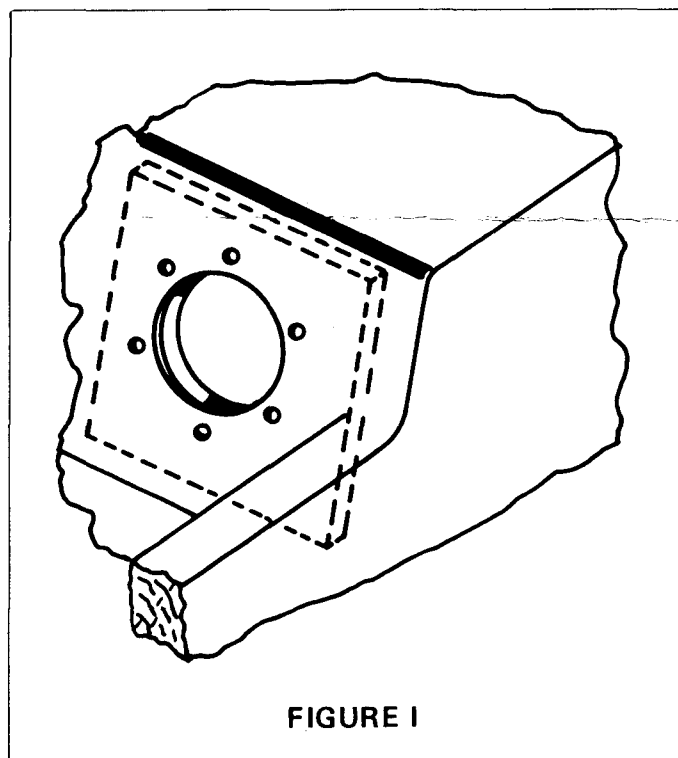


FIGURE 1

Support Tube (Item 2) have been preassembled. DO NOT SEPARATE THESE PARTS.

1. Position Gimbal assembly to the splashwell, using a reinforcing block if necessary. The "Boot" end of the support tube must point toward the centerline of the boat (see Fig. 2).

2. Secure this assembly to the splashwell wall using Carriage Bolts (Item 5) Washers (Item 6) and Lock Nuts (Item 7) as shown in Figure 2, torquing Nuts to 75 inch pounds. DO NOT EXCEED 100 INCH POUNDS.

3. Install Boot and Wiper Assembly (Item 1) to the Support Tube as shown in Figure 2, seating firmly.

4. Insert the telescopic end of Steering Cable (see Figure 2) through Support Tube (Item 2). Thread Coupler Nut to Support Tube and tighten securely (approximately 15 foot pounds).

Grip Support Tube with a strap wrench or equivalent tool which will not cause surface damage to or collapse tube. A 1-1/4 inch open end wrench may be used to turn Coupler Nut.

WARNING

CABLE COUPLER NUT MUST BE TIGHTENED SECURELY TO PROVIDE INTEGRITY OF CONNECTION. SEPARATION OF CABLE COUPLER NUT FROM SUPPORT TUBE WILL RESULT IN LOSS OF STEERING CONTROL.

Part "A" of the kit assembly is now complete. Refer to Part "B" for motor connection instructions. Part "B" of this kit should be kept with hull for motor connection.

PARTS LIST		
Item	Description	Quan.
1	Boot & Wiper Assembly	1
2	Support Tube	1
3	Ball, Gimbal	1
4	Ball, Retainer	1
5	Bolt, Carriage 1/4-20	6
6	Washer, Flat 1/4 I.D.	6
7	Lock Nut, 1/4-20	6

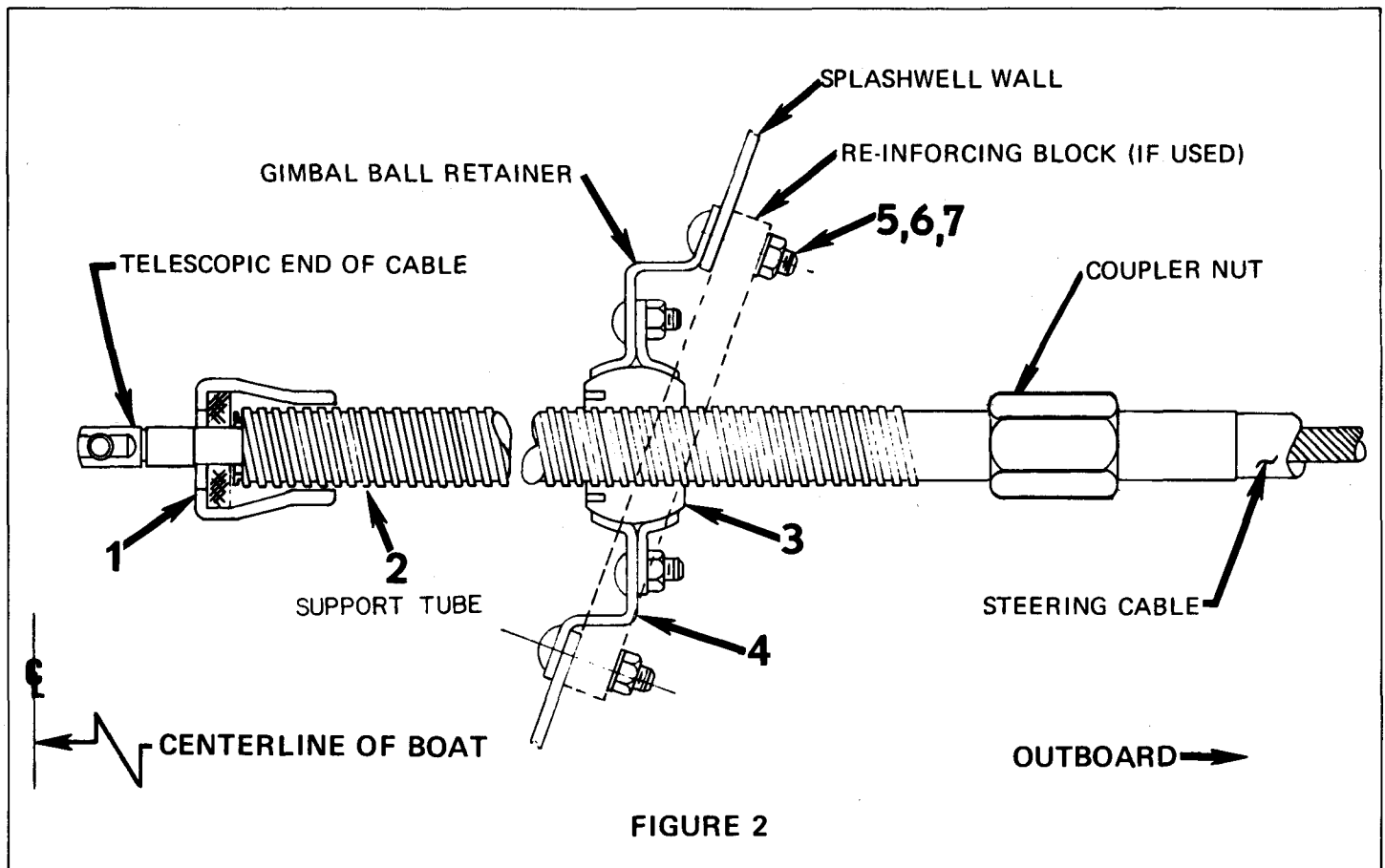
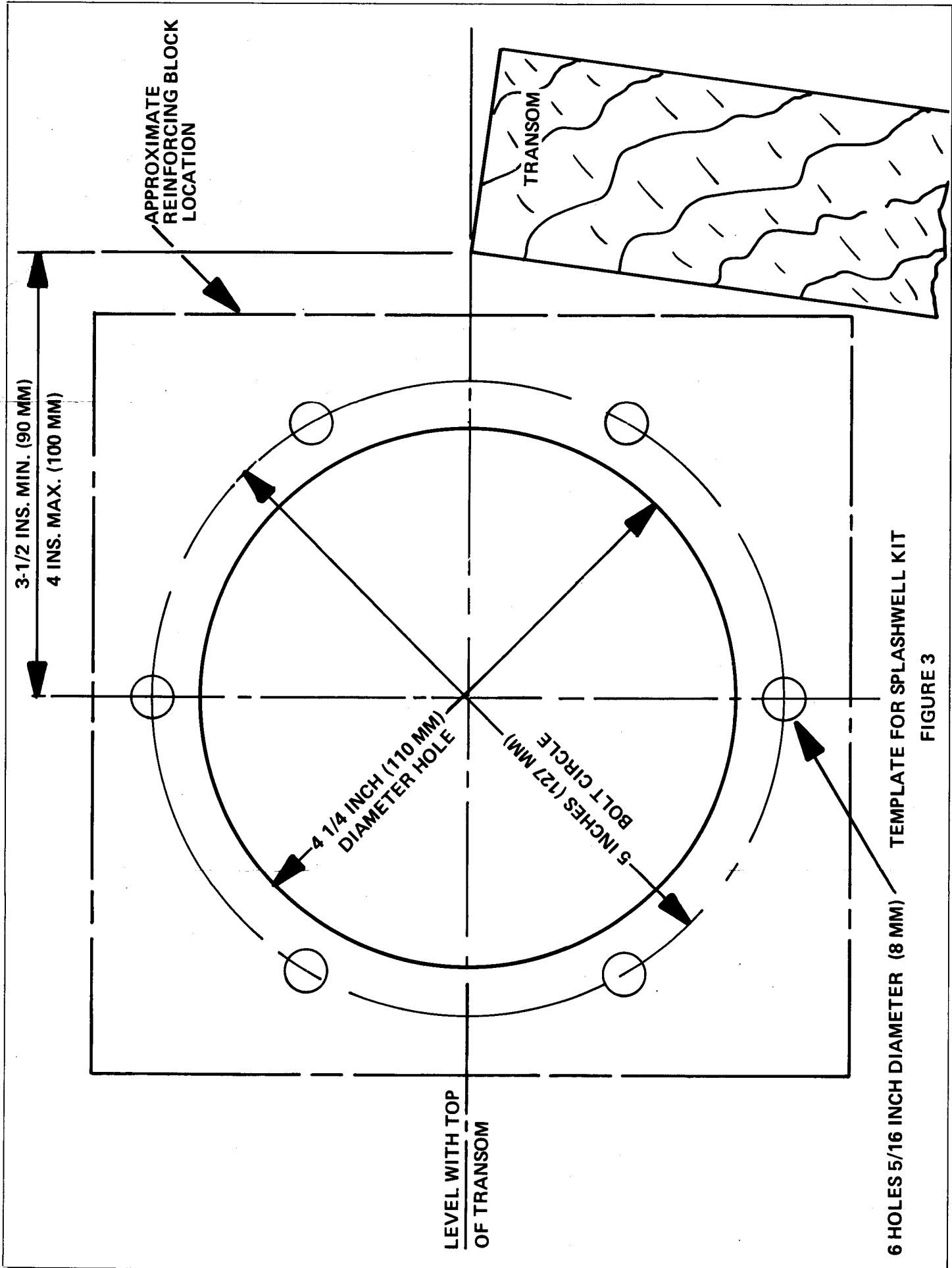


FIGURE 2





©Copyright 1995 Teleflex Incorporated (USA)

Manufactured by
Teleflex Inc. U.S.A.
640 North Lewis Road
Limerick, PA 19468 (USA)
610/495-7011

SA 27253-B STEERING CONNECTION KIT SPLASHWELL MOUNT INSTRUCTIONS

INSTALLER: THESE INSTRUCTIONS CONTAIN IMPORTANT SAFETY INFORMATION AND MUST BE FORWARDED TO THE BOAT OWNER.

PART "B" INSTALLATION OF MOTOR CONNECTION KIT

WARNING

READ THESE INSTRUCTIONS THOROUGHLY BEFORE BEGINNING INSTALLATION. FAILURE TO FOLLOW THESE INSTRUCTIONS, OR INCORRECT ASSEMBLY COULD RESULT IN STEERING FAILURE WITH SUBSEQUENT PERSONAL INJURY AND PROPERTY DAMAGE. IN ORDER TO OBTAIN THE BEST STEERING PERFORMANCE, THE OUTBOARD MOTOR OR OUTDRIVE MUST BE INSTALLED AND LUBRICATED AND THE TRIM TAB ADJUSTED IN ACCORDANCE WITH THE MOTOR MANUFACTURER AND THE BOAT MANUFACTURER'S SPECIFICATIONS. CHECK THE CONTENTS OF THIS KIT AGAINST THE PARTS LIST ON THIS INSTRUCTION SHEET. USE PARTS SUPPLIED ONLY AS INSTRUCTED ON THIS SHEET. DO NOT SUBSTITUTE PARTS OR COMPONENTS FROM OTHER STEERING MANUFACTURERS. THEY CAN CAUSE A SAFETY HAZARD FOR WHICH TELEFLEX, USA CANNOT ACCEPT RESPONSIBILITY.

INSTALLATION INSTRUCTIONS

1. Install Clevis to telescopic stud following instructions packed with the Clevis Kit (item 1).
 2. Place telescopic output ram in mid-travel position by rotating steering wheel until telescopic is fully retracted, then rotate in the opposite direction approximately 1-1/2 turns.
 3. Center motor tiller arm to a straight ahead position.
 4. Insert tips of Spanner wrench (Item 2) into holes in Gimbal ball (see Figure 4).
- CAUTION: Hold support tube securely during adjustment. Rotation of the support tube can cause loosening of the coupler nut.*
5. Rotate Gimbal ball with Spanner wrench as shown in Figure 4. Continue with adjustment until hole in Clevis (with telescopic in mid-position) aligns with tiller arm hole (with motor dead ahead).

WARNING

DO NOT ROTATE THE SUPPORT TUBE TO ADJUST. THIS MAY LOOSEN CABLE COUPLER NUT AND CAUSE LOSS OF STEERING CONTROL DURING OPERATION.

PARTS LIST

Item	Description	Quan.
1	Clevis Kit	1
2	Spanner Wrench	1

6. Attach Clevis to tiller arm, following the Clevis kit instruction sheet.

CAUTION: Move the motor thru the normal operating positions (side to side and tilting up and down) to be certain no interference or restriction of movement exists.

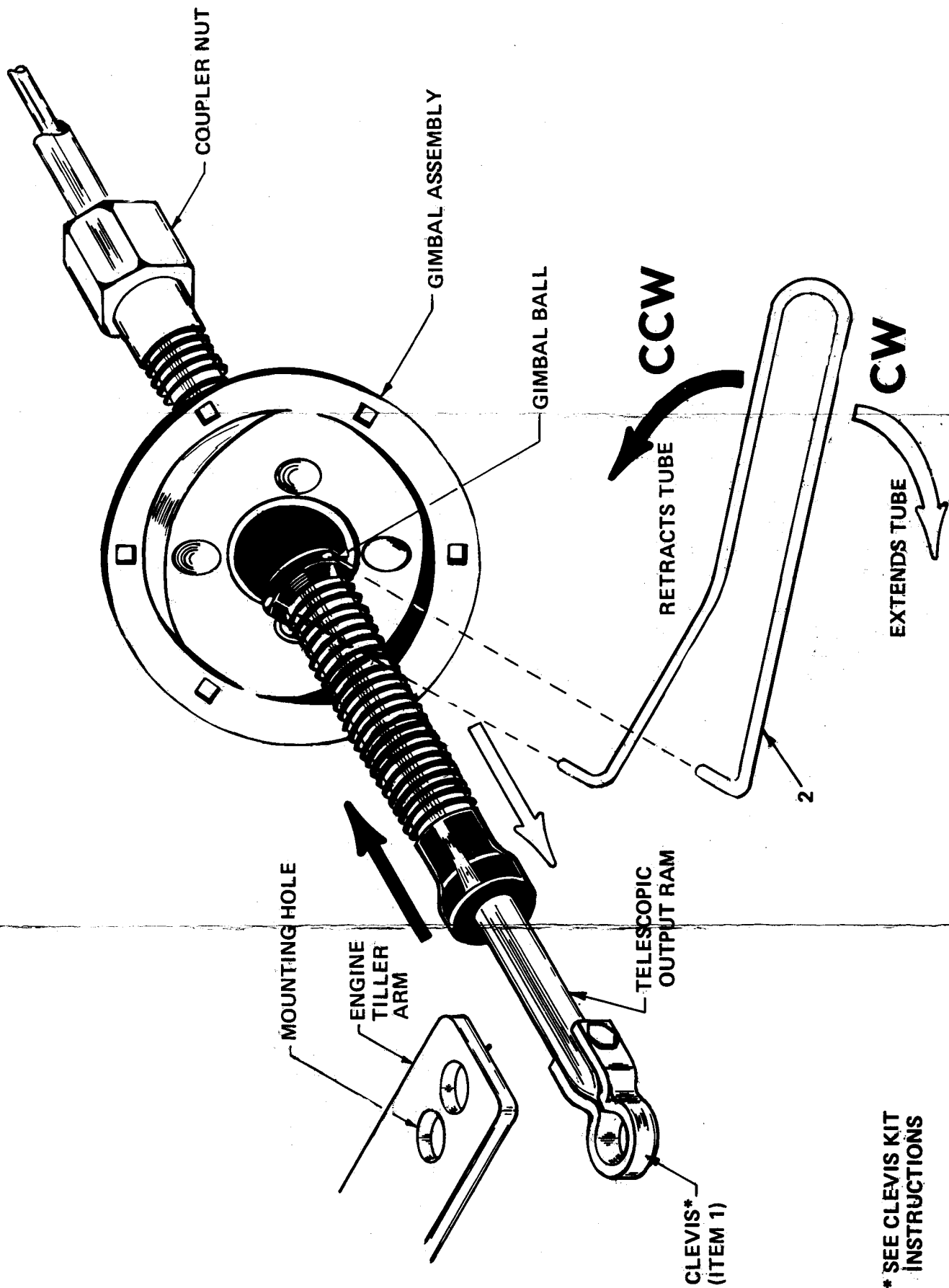
WARNING

THE BOAT SHOULD BE OPERATED WITH CAUTION UNTIL THE STEERING SYSTEM HAS BEEN THOROUGHLY CHECKED OUT UNDER NORMAL OPERATING CONDITIONS, TO INSURE THAT THE INSTALLATION IS CORRECT AND COMPLETE.

MAINTENANCE NOTES

1. AFTER A FEW HOURS OF OPERATION FOLLOWING INSTALLATION OF THIS KIT AND PERIODICALLY THEREAFTER, RE-TORQUE ALL FASTENERS AND CHECK THE STEERING FOR SECURITY AND INTEGRITY. LOOSENING OR SEPARATION OF ONE OR MORE FASTENERS MAY CAUSE FAILURE OF THE STEERING SYSTEM, RESULTING IN PROPERTY DAMAGE AND PERSONAL INJURY.
2. FLUSH TELESCOPIC AREA (CABLE OUTPUT END) WITH FRESH WATER AFTER OPERATION IN SALT WATER. PERIODICALLY LUBRICATE THE TELESCOPIC WITH A LIGHT FILM OF OIL.

WHEN STORING THE BOAT FOR EXTENDED PERIODS, LUBRICATE THE OUTPUT RAM WHEN FULLY EXTENDED, THEN RETRACT COMPLETELY FOR STORAGE.
3. INSPECT PERIODICALLY FOR CORROSION. ALL METAL PARTS MEET OR EXCEED APPLICABLE SPECIFICATIONS FOR CORROSION RESISTANCE; HOWEVER, WITH EXTENDED OPERATION UNDER EXTREME CONDITIONS, CORROSION MAY OCCUR AND AFFECTED PARTS SHOULD BE REPLACED.



*** SEE CLEVIS KIT INSTRUCTIONS**

FIGURE 4