

**PART NUMBER 300580**  
**THROTTLE CONNECTION KIT**  
**SINGLE OR DUAL STATION – 33 C TYPE CABLE**  
**PULL OPEN THROTTLE**

**Cummins Marine Engines with AFC Fuel Pump**

**Engines (V504, V555, V903, VT903, VTA903, NT855, VT1710, VTA1710, KT & KTA1150, KT & KTA 2300)**

1. Attach lever adaptor (2) to throttle lever using screws (10 & 12), lock washers (14 & 16), and nuts (11 & 13). See Figure 1, which shows the two different types of levers used with Cummins Engines.
2. Insert Pin (5) into adaptor and secure with lock washer (14) and nut (11).
3. Attach cable to clamp bracket (6) using clamp (7), screws (17), lock washers (18), and nuts (19). Be sure that clamp fits into groove of cable hub.
4. Attach bracket support (3) to pump sensor using screws (9) and lock washers (14). Thread set screw (8) into bracket support.
5. Install assembled cable and clamp bracket (6) over long leg of mounting rod (1) and insert short leg of rod into bracket support (3).
6. Place control head hand lever in idle position.
7. Thread terminal eye (4) onto cable rod approximately 9/15", and attach to terminal pin (5). Secure with retaining ring.
8. Position clamp bracket (6) on mounting rod (1) for final adjustment and secure bracket with screws (10), lock washers (14) and nuts (11).

**NOTE**

When installing this kit with a model MT control, the governor lever should rest lightly, not tightly, against the idle stop when the control hand lever is in neutral. When using this kit with Model "S", "SR", "SRM" or "SF" controls, adjust the stop screws in the control head to prevent cable from jamming the throttle arm against the stops at idle and full open.

9. Refer to control head installation instructions for final check and adjustment procedures.

1	Mounting Rod	1
2	Adaptor, Throttle Lever	1
3	Rod Mounting bracket	1
4	Terminal Eye	2
5	Terminal Pin	1
6	Clamp Bracket	1
7	Cable Clamp – 30 Series	2
8	Set Screw Sq. Hd. 3/8-16 x 3/4	1
9	Hex. Hd. Cap Scr. 1/4-20 x 3/4	2
10	Screw, Fil. Hd. 1/4-28 x 5/8	3
11	Nut, Reg. Hex 1/4-28	4
12	Screw, Rd. Hd. 5/16-18 x 3/4	2
13	Nut, Reg. Hex 5/16-18	2
14	Washer, Int. Tooth 1/4	6
15	Retaining Ring	1
16	Washer, Int. Tooth 5/16	2
17	Scr. Fil. Hd. #10-32 x 5/8	2
18	Washer, Int. Tooth #10	2
19	Nut, Reg. Hex #10-32	2

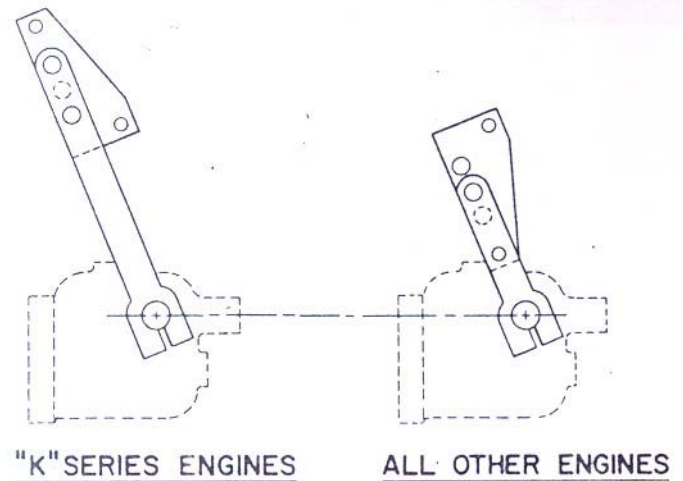


Figure 1

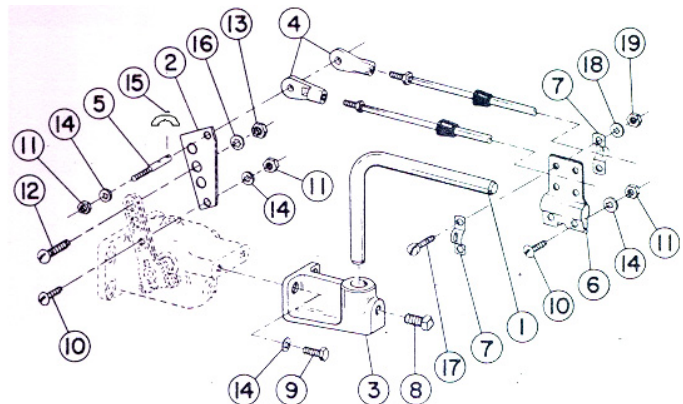


Figure 2

Item	Description	QTY.
------	-------------	------