



ADAPTOR HOUSING KIT - P/N 5007589 ASSEMBLY DIAGRAM

This adaptor housing kit services 2008 and older 90°V6 Evinrude® E-TEC® and DI outboards. Refer to appropriate service manual for addition assembly information.

SAFETY INFORMATION

For safety reasons, this part should be installed by an authorized *Evinrude®/Johnson®* dealer. This instruction sheet is not a substitute for work experience. Additional helpful information may be found in other service literature for your engine.

This instruction sheet uses the following signal words identifying important safety messages.

	DANGER	
Indicates an imminently hazardous situation which, if not avoided, WILL result in death or serious injury.		

	WARNING	
Indicates a potentially hazardous situation which, if not avoided, CAN result in severe injury or death.		

	CAUTION	
Indicates a potentially hazardous situation which, if not avoided, MAY result in minor or moderate personal injury or property damage. It also may be used to alert against unsafe practices.		

IMPORTANT: Identifies information that will help prevent damage to machinery and appears next to information that controls correct assembly and operation of the product.

These safety alert signal words mean:

ATTENTION!
BECOME ALERT!
YOUR SAFETY IS INVOLVED!

Always follow common shop safety practices. If you have not had training related to common shop safety practices, you should do so to protect yourself, as well as the people around you.

It is understood that this instruction sheet may be translated into other languages. In the event of any discrepancy, the English version shall prevail.

DO NOT do any repairs until you have read the instructions and checked the pictures relating to the repairs.

Be careful, and never rush or guess a service procedure. Human error is caused by many factors: carelessness, fatigue, overload, preoccupation, unfamiliarity with the product, and drugs and alcohol use, to name a few. Damage to a boat and outboard can be fixed in a short period of time, but injury or death has a lasting effect.

When replacement parts are required, use *Evinrude/Johnson Genuine Parts* or parts with equivalent characteristics, including type, strength and material. Using substandard parts could result in injury or product malfunction.

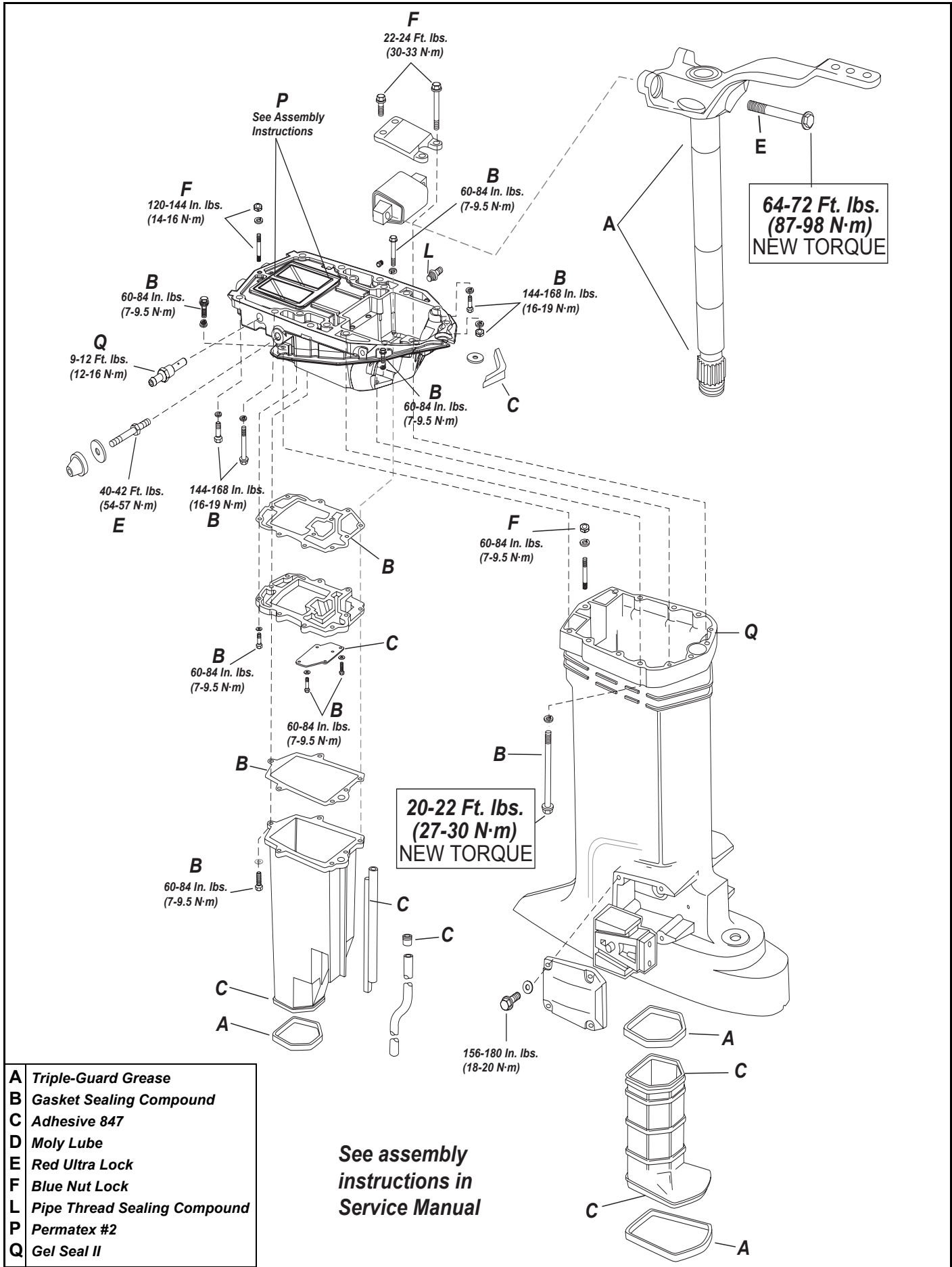
Torque wrench tightening specifications must be strictly followed. Replace any locking fastener (locknut or patch screw) if its locking feature becomes weak. Definite resistance to turning must be felt when reusing a locking fastener. If replacement is specified or required because the locking fastener has become weak, use only authorized *Evinrude/Johnson Genuine Parts*.

If you use procedures or service tools that are not recommended in this instruction sheet, **YOU ALONE** must decide if your actions might injure people or damage the outboard.

TO THE INSTALLER: Give this sheet and the operating instructions to the owner. Advise the owner of any special operation or maintenance information contained in the instructions.

TO THE OWNER: Save these instructions in your owner's kit. This sheet contains information important to the future use and maintenance of your engine.





- A** Triple-Guard Grease
- B** Gasket Sealing Compound
- C** Adhesive 847
- D** Moly Lube
- E** Red Ultra Lock
- F** Blue Nut Lock
- L** Pipe Thread Sealing Compound
- P** Permatex #2
- Q** Gel Seal II

See assembly instructions in Service Manual