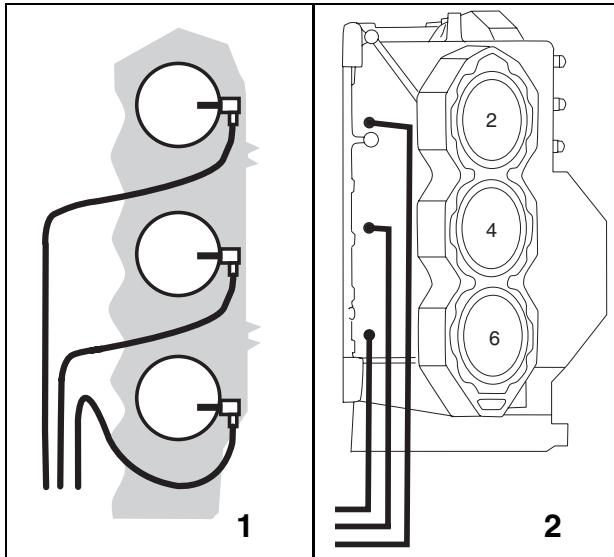




Evinrude/Johnson has changed its oil injector/manifold assembly so a standard assembly can be used on models with both throttle body and sleeve oiling. These instructions outline an essential modification to the oil injector/manifold assembly



1. Throttle body oiling
2. Sleeve oiling

On models with **throttle body type oiling**, shortening the oil hoses is **required**. The oil hoses provided on this manifold assembly are 20" long. These hoses must be cut to length to insure the oil system functions properly on models with throttle body type oiling. The engine model number determines which oil manifold and pump to use as well as what modifications are required for hose length.

IMPORTANT: Before modification, verify the outboard does not have a replacement powerhead with sleeve oiling.

Models with Sleeve Oiling

No modification is required.

Models with Throttle Body Type Oiling

The oil hoses on the oil injector/manifold assembly must be modified for **throttle body type oiling ONLY**. Use the assembly modification outlined in these instructions with the following models. For all other models, do not shorten the oil hoses.

V4

- 1998 – 90 & 115 HP ECS models
- 1999 – 90 & 115 HP EEC & EEN models

V6

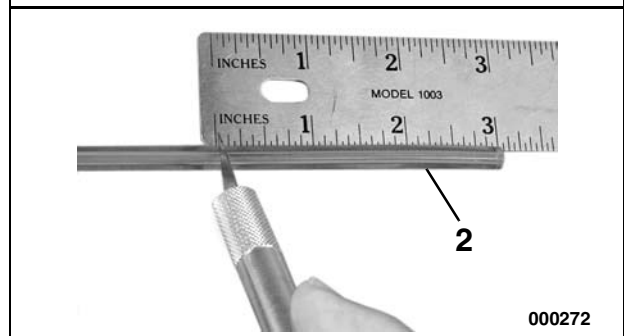
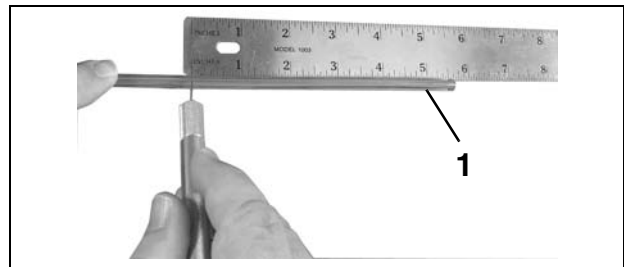
- 1999 – 150 & 175 HP EEA, EEC & EEN models

INSTRUCTIONS

For **V4 models with throttle body oiling**, the 20" long oil supply hoses should be shortened by 5 5/8", to a length of 14 3/8".

For **V6 models with throttle body oiling**, the 20" long oil supply hoses should be shortened by 3", to a length of 17".

All hoses must be of equal length.



1. V4 Models – Cut off 5 5/8"
2. V6 Models – Cut off 3"

A **clean cut** is essential to keeping debris from entering the oiling system. Always use a clean blade to cut the hoses. After cutting the oil hoses to the proper length, install the assembly and follow the recommended oil system priming procedures.

- 1) Prime system and check for leaks.
- 2) Test run outboard and check for leaks.
- 3) Clean lower motor cover area of oil residue.

