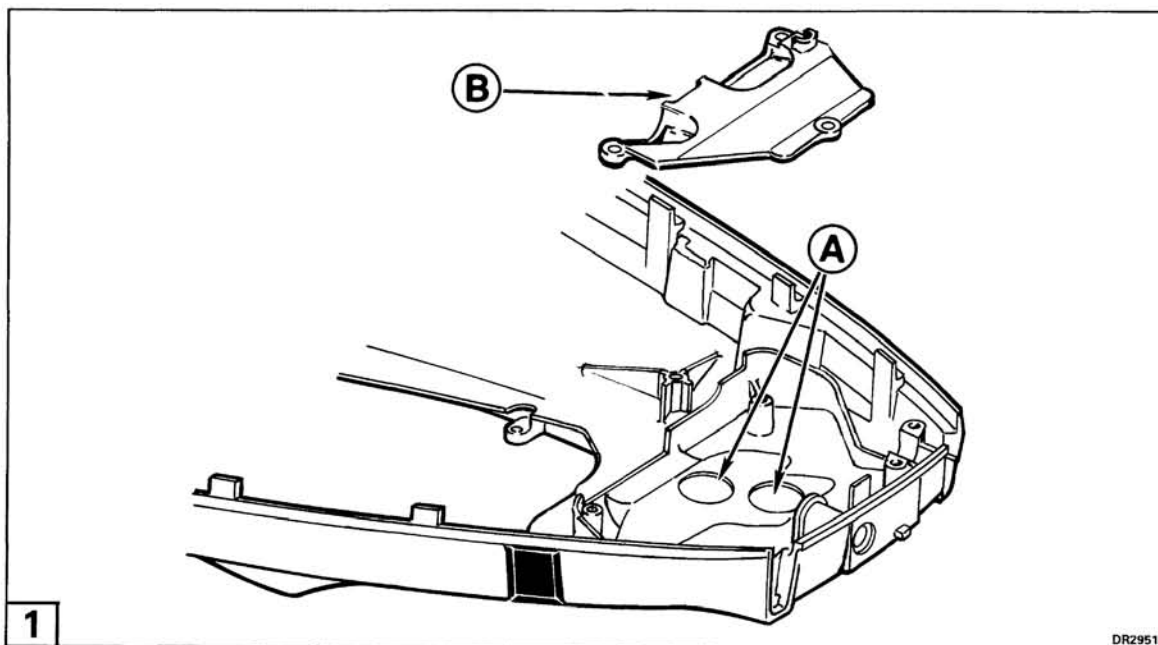




EVINRUDE
Johnson



Lower Cover Assembly Kit P/N 432923

Important The installation of this kit requires the use of Special Service Tools and complex service procedures.

This kit should be installed by a service technician using current technical literature.

These installation instructions are not intended for consumer use.

1. If the engine you are servicing has a functional air inlet in the lower engine cover, drill two 2 in. (51 mm) diameter holes (A) in the replacement part.
2. Transfer the air inlet cover (B) to the replacement part.
3. Remove plastic plugs and install trim switch, oil inlet fitting, and overboard indicator as required.