



Installation Instructions

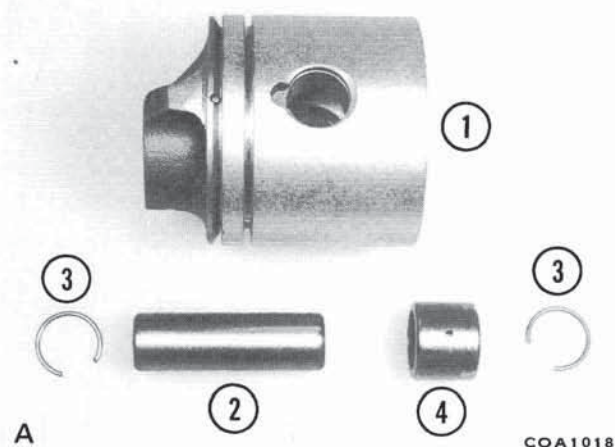
Piston, Wrist Pin and Bearing Assembly Kit

Part No. 391526 Std. Size
Part No. 391527 .030" O.S.

Preface

This Kit provides a larger diameter wrist pin for 1976 through 1980 Evinrude[®] and Johnson[®] 9.9 and 15 models.

- Use Special Tool 326569 and an arbor press to remove wrist pin bearing from connecting rod. See B.

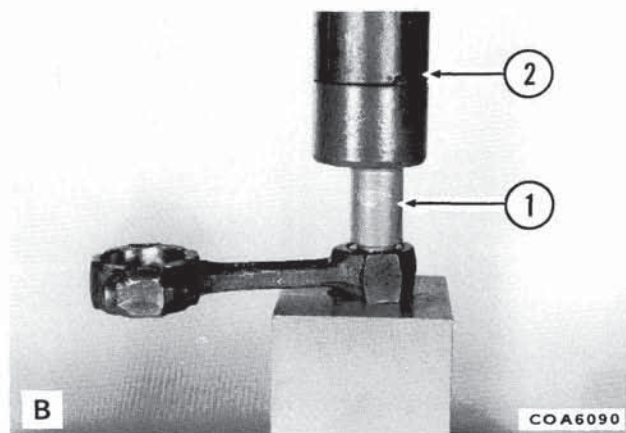


Contents of Kit

Ref. No.	Part No.	Description	Qty.
1	396278	Piston Std. (Kit 391526)	1
1	396652	Piston .030 O.S. (Kit 391527)	1
2	325296	Wrist Pin	1
3	325262	Retaining Ring	2
4	390635	Bearing	1

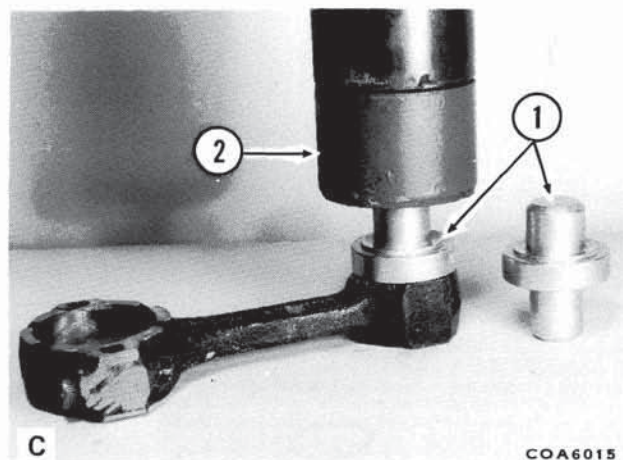
Installation

- Follow instruction in correct year Service Manual to remove and disassemble powerhead of the engine.
- Disassemble piston from connecting rod following Service Manual procedure.
- Inspect connecting rod for damage. If no damage is found, the connecting rod can be used in reassembly of powerhead.



- Special Tool P/N 326569 Bearing Remover
- Arbor Press

- Use Special Tool P/N 326566 to press new wrist pin bearing (included in kit) into connecting rod. See C.



- Special Tool P/N 326566 Bearing Installer
- Arbor Press

Product Reference & Illustration

When reference is made to a brand name, product or specific tool, an equivalent product may be used in place of the referred to product. Substitute products used must have equivalent characteristics, including type, strength, and material. Incorrect substitution may result in product malfunction and possible injury to the operator and/or passengers.

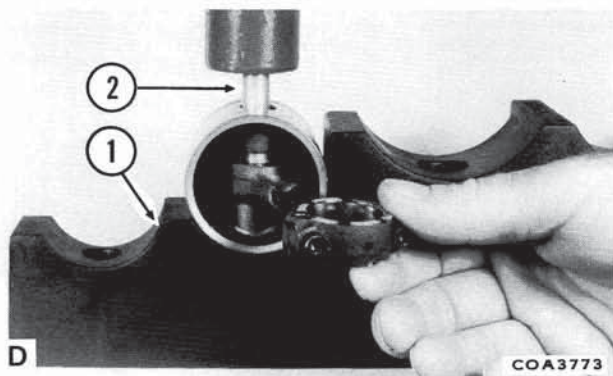
All photographs and illustrations used may not necessarily depict actual models or equipment, but are intended only for reference. Specifications used are based on the latest product information available at the time of publication.

- Assemble connecting rod to new piston with new wrist pin using Special Tool P/N 326573 Piston Cradle and Special Tool P/N 319920 Pin Driver. See D.

Wrist pin must be centered in piston so there is no interference when installing retaining rings.

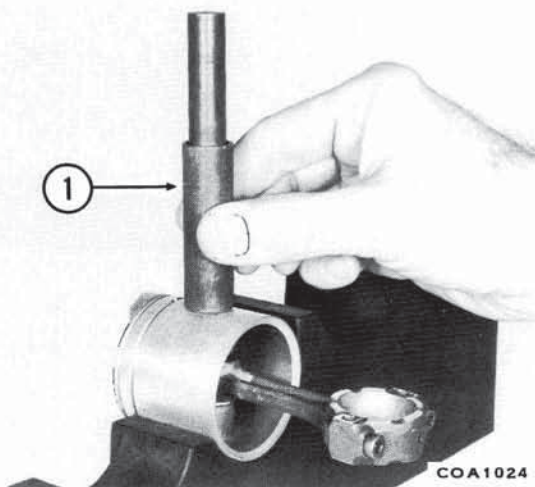
Note

Piston should be heated before installing wrist pin. Hot water or hot degreaser may be used to heat piston.



- D
- Special Tool P/N 326573 Piston Cradle
 - Special Tool P/N 319920 Pin Driver

- Install new retaining rings into position, one on each end of wrist pin. Use Special Tool P/N 392511 Ring Driver and Cone. See E.



- E
- Special Tool P/N 392511 Ring Driver and Cone.

- Install new piston rings (not included in kit) on piston.
- Reassemble powerhead and replace on engine following Service Manual procedure.