

# 896648A04

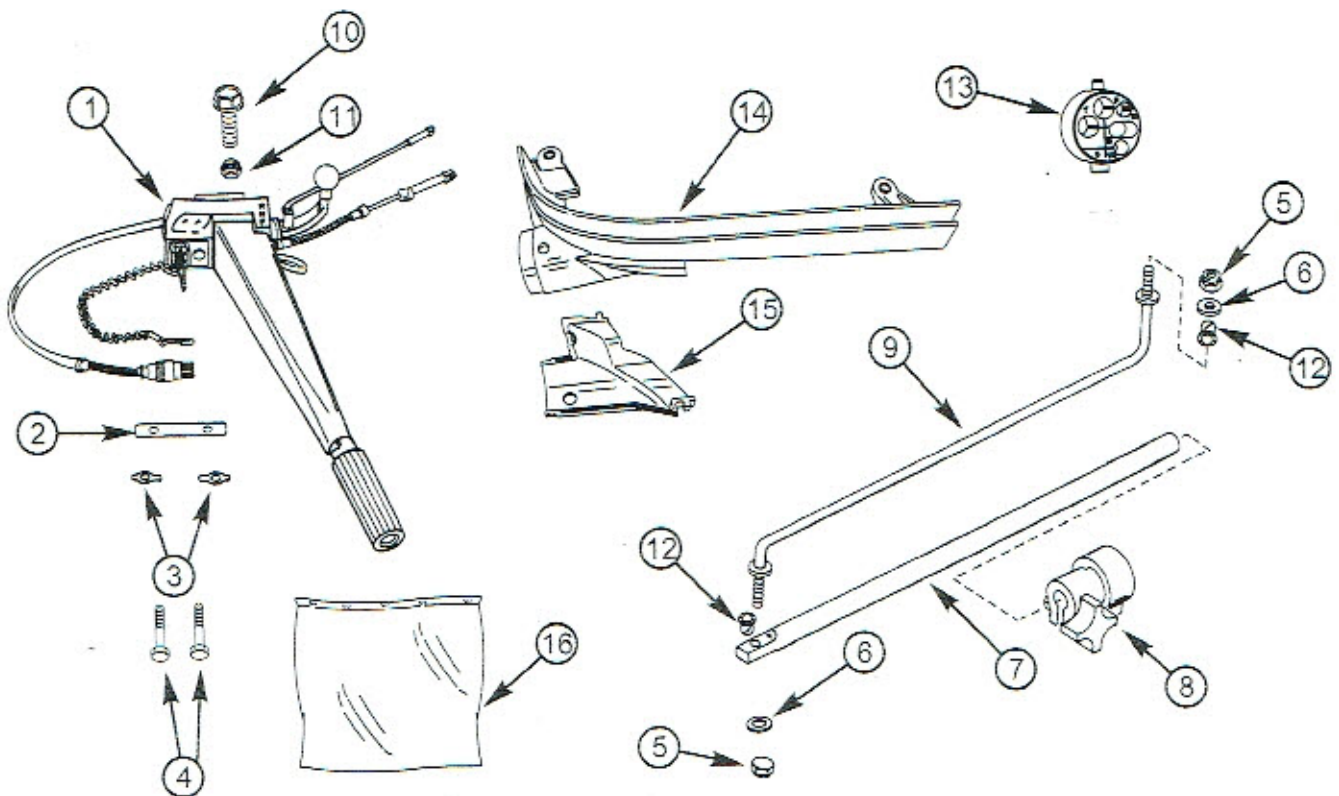
## TILLER HANDLE KIT

### 75/90/115 OPTIMAX

**IMPORTANT:** This document guides our dealers, boatbuilders, and company service personnel in the proper installation or service of our products. If you have not been trained in the recommended servicing or installation procedures for these or similar Mercury Marine products, have the work performed by an authorized Mercury Marine dealer technician. Improper installation or servicing of the Mercury product could result in damage to the product or personal injury to those installing or operating the product.

**NOTE:** After completing installation, place these instructions with the product for the owner's future use.

### Components Contained in Kit



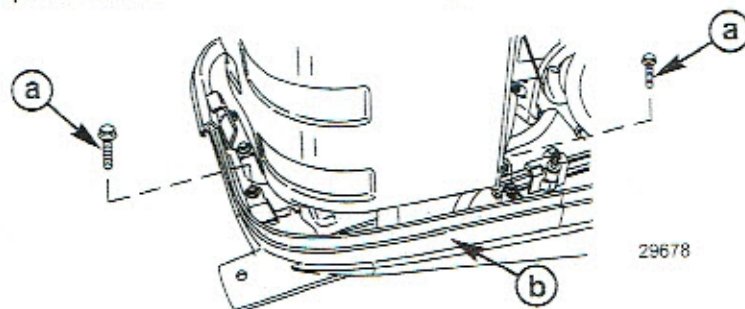
29683

Ref.	Qty.	Description	Part Number
1	2	Tiller handle assembly	NSS
2	1	Spacer	822263
3	2	Tab washer	14-42981
4	2	Screw (5/16-24 x 3.5 in.)	10-881261
5	2	Locknut (5/16-24)	11-826709111

Ref.	Qty.	Description	Part Number
6	2	Washer	12-70132
7	1	Pilot rod	52148002
8	1	Friction device assembly	11-52155A1
9	1	Link rod	873491
10	1	Bolt (3/8-24 x 1.25 in.)	849838
11	1	Locknut (3/8-24)	11-826709113
12	2	Bushing	23-26841
13	1	Grommet	896641
14	1	Upper clamp	896636
15	1	Lower clamp	896637
16	1	Power tilt switch kit	87-18286A19

## Front Cowl Grommet

Pull up the cowl seal and remove the upper clamp from the bottom cowl.



- a - Screw (2)  
b - Upper clamp

## Component Removal

**NOTE:** Refer to the appropriate service manual for the proper procedure.

1. Disconnect the battery cables.
2. Remove the remote control wiring harness and the throttle/shift cables from the engine, if equipped.