

892722A01, 892724A01 DUAL OUTBOARD TIE BAR KIT VERADO MODELS

NOTICE

After completing installation, these instructions should be placed with the product for the owner's future use.

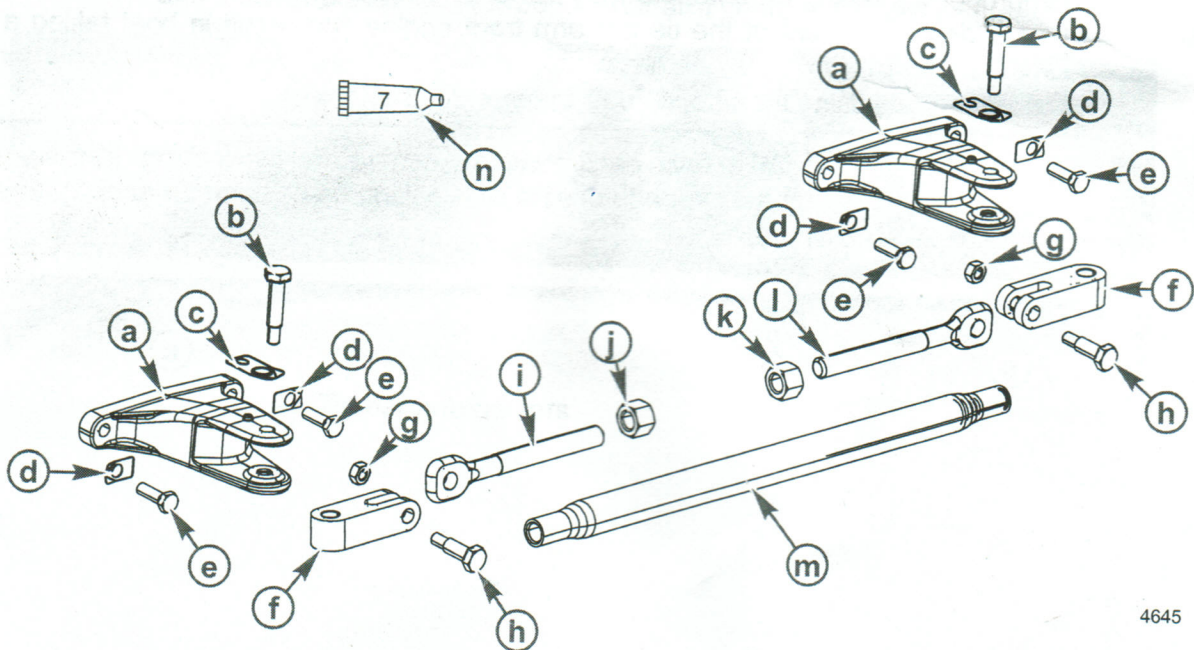
NOTICE

This document is written to aid our dealers and company service personnel in the proper installation or service of our products. Persons who are not familiar with these or similar products produced by Mercury Marine, and who have not been trained in the recommended servicing or installation procedures should have the work performed by an authorized Mercury Marine dealer technician. Improper installation or servicing of the Mercury product could result in damage to the product or personal injury to the installer or persons operating the product.

NOTICE

Kit 892722A01 is used for outboard centerline spacing 66 - 76 cm (26 - 30 in.).
Kit 892724A01 is used for outboard centerline spacing 76 - 86 cm (30 - 34 in.).

Components Contained in Kit



4645

Ref.	Qty.	Description	Part Number
a	2	Tie bar arm	892367
b	2	Shoulder screw M8 x 46.75 mm	10-892373