

THERMOSTAT HOUSING KITS

NOTICE

After completing installation, these instructions should be placed with the product for the owner's future use.

Models Covered

860256A3

Model	Serial Number or Year
4.3 Liter (262 cid) Alpha Engines	0M614999 and Below
5.0 Liter (305 cid), 5.7 Liter (350 cid) Alpha Engines	0M599999 and Below

860256A4

Model	Serial Number or Year
4.3 Liter (262 cid) Bravo Engines	0M614999 and Below
5.0 Liter (305 cid), 5.7 Liter (350 cid), 6.2 Liter (377 cid) Bravo Engines	0M599999 and Below
5.7 Liter (350 cid), 6.2 Liter (377 cid) Inboard and Tow Sports Engines	0M316999 and Below

861006A1

Model	Serial Number or Year
7.4 Liter (454 cid), 8.2 Liter (502 cid) Bravo, Inboard, and Tow Sport Engines	2001 and Older

Parts List

860256A3

Description	Qty.	Part Number
Thermostat Housing	1	860256-3
Screw, 3/8-16 x 2-3/4 in. (70 mm) long	2	10-47688
Washer	2	12-20553
Pipe Plug 3/8 in. Hex	2	22-32803
Gasket, Thermostat housing-to-intake manifold	1	27-53045-1
Gasket, Thermostat-to-thermostat housing	1	27-806871

860256A4

Description	Qty.	Part Number
Thermostat Housing	1	860256-4
Screw, 3/8-16 x 2-3/4 in. (70 mm) long	2	10-47688
Washer	2	12-20553
Pipe Plug 3/8 in. Hex	2	22-32803
Gasket, Thermostat housing-to-intake manifold	1	27-53045-1
Gasket, Thermostat-to-thermostat housing	1	27-806871

861006A1

Description	Qty.	Part Number
Thermostat Housing	1	861006
Flange head bolt	2	10-94929
Pipe Plug 3/8 in. Hex	2	22-32803
Gasket, Thermostat housing-to-intake manifold	1	27-53045-1
Gasket, Thermostat-to-thermostat housing	1	27-806871

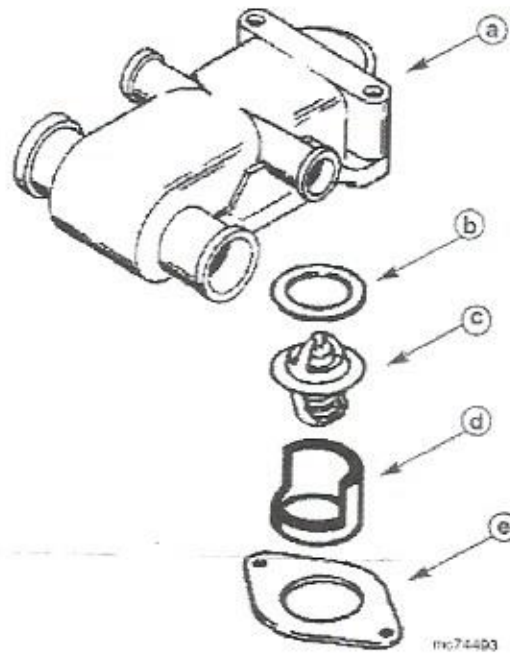
Removal

1. Disconnect the audio warning and ECT sensor wires (if equipped) from the thermostat housing.
2. Loosen the hose clamps and remove the hoses from the thermostat housing.
3. Remove the screws and the center lifting eye (if equipped) from the thermostat housing.
4. Remove the thermostat housing from the intake manifold.
5. Remove the thermostat from the thermostat housing.
6. Clean and inspect the thermostat.

Installation

IMPORTANT: Ensure that the thermostat and gasket are properly seated in the thermostat housing. Incorrect seating of these parts may prevent the engine from reaching the normal operating temperature.

1. Place the gasket, thermostat, and sleeve in the thermostat housing.



- a - Thermostat housing
- b - Thermostat gasket
- c - Thermostat

- d - Sleeve
- e - Gasket

2. Place the thermostat housing gasket on the intake manifold.

IMPORTANT: For all models with a center lifting eye, reuse the existing hardware to install the thermostat housing. For 4.3, 5.0, 5.7 and 6.2 liter (262, 305, 350 and 377 cid) engines without a center lifting eye, use the bolts and washers included in the kit to install the thermostat housing. For 7.4 and 8.2 liter (454 and 502 cid) engines without a center lifting eye, use the hex head bolts included in the kit to install the thermostat housing.

3. Position the thermostat housing and center lifting eye, if equipped, on the intake manifold and install the appropriate fasteners.
4. Torque the fasteners.

Description	Nm	lb-in.	lb-ft
Thermostat housing bolts	41		30

5. Install the hoses onto the thermostat housing and tighten the hose clamps.
6. Connect the audio warning and ECT sensor wires, if equipped, to the sensors.
7. Supply cooling water to the engine.
8. Start the engine, check for leaks and ensure that the engine reaches normal operating temperature.