

# STERNDRIVE REAR MOUNT SHIM KIT

## Models Covered

### Alpha and Bravo

| Model               | Serial Number or Year |
|---------------------|-----------------------|
| 3.0 liter (181 cid) | OM660000 and Above    |
| 4.3 liter (262 cid) |                       |
| 5.0 liter (305 cid) |                       |
| 5.7 liter (350 cid) |                       |
| 6.2 liter (377 cid) |                       |
| 8.1 liter (496 cid) |                       |

## Notice

| NOTICE  |
|---|
| After completing installation, these instructions should be placed with the product for the owner's future use. |

## Parts List

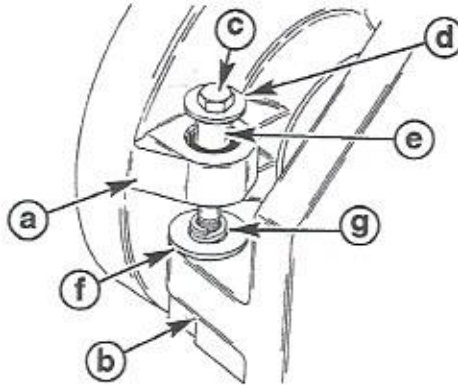
| Description            | Qty. | Part Number |
|------------------------|------|-------------|
| Fiber washer           | 2    | 12-32834    |
| Stainless steel washer | 2    | 12-54012    |

## Lubricants / Sealants / Adhesives

| Description | Where Used   | Part Number    |
|-------------|--------------|----------------|
| Super Glue  | Fiber washer | Obtain locally |

# Removal

1. Lift the engine from the boat. Refer to the appropriate Mercury MerCruiser service manual.
2. Remove and discard the double-wound lockwasher and fiber washer from the inner transom plate mount.
3. Ensure that the inner transom plate mount is clean and free of all adhesive and debris.



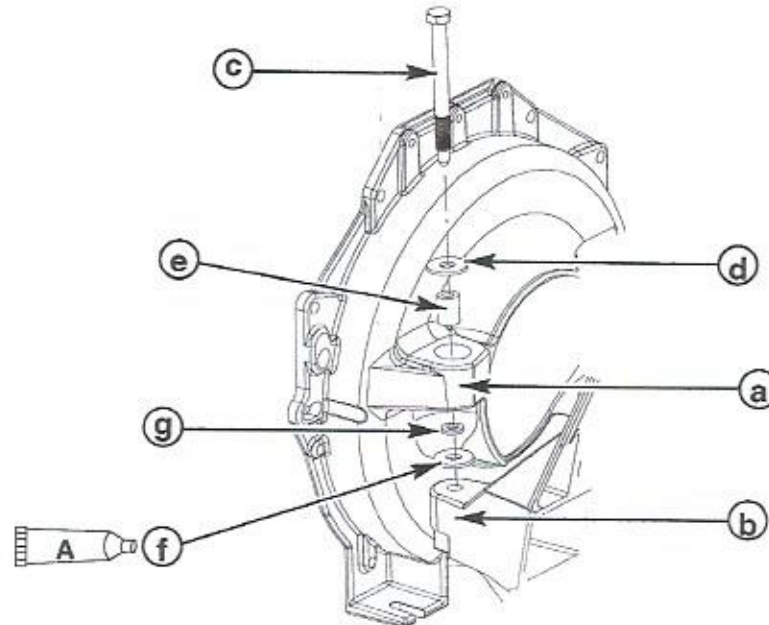
22032

- a - Rear engine mount
- b - Inner transom plate mount
- c - Bolt
- d - Washer
- e - Spacer
- f - Fiber washer
- g - Double-wound lockwasher

# Installation

**NOTE:** Ensure that the inner transom plate mount is clean and free of all adhesive and debris.

1. Apply glue to the fiber washer and position it equally around the rear engine mount bolt hole on the inner transom plate mount.
2. Place the stainless steel washer inside the fiber washer.



79565

- a - Rear engine mount
- b - Inner transom plate mount
- c - Bolt
- d - Washer
- e - Spacer
- f - Fiber washer
- g - Stainless steel washer

| Description  | Where Used   | Part Number    |
|--------------|--------------|----------------|
| A Super Glue | Fiber washer | Obtain locally |

3. Install engine into the boat and align. Refer to the appropriate Mercury MerCruiser installation manual.