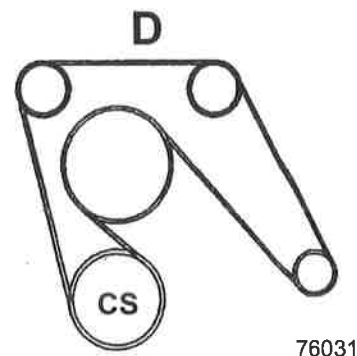
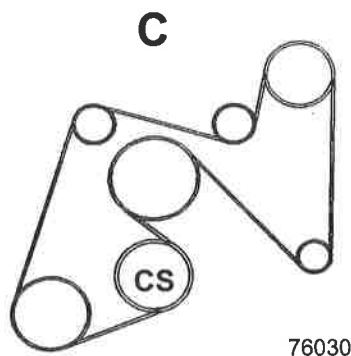
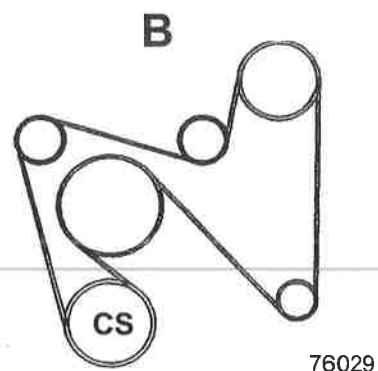
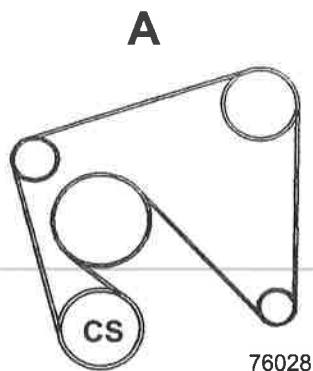


Belt Kits



MCM Alpha Models	Part Number	(Belt Route Diagram) Description
V6 and V8 305/350 cid with <u>plastic</u> P/S pulley.	57-861758A 1	(A)-Replacement Belt/Pulley Kit. Contains 5-3/4 in. (146 mm) pulley and longer belt.
V6 with <u>plastic</u> P/S pulley and Closed Cooling.	57-861759A 1 (Note 1)	(B)-Replacement Belt/Pulley Kit. Contains 5-3/4 in. (146 mm) pulley and longer belt.
V8 305/350 cid with <u>plastic</u> P/S pulley and Closed Cooling.	57-861049A 2 (Note 1)	(C)-Replacement Belt/Pulley Kit. Contains 5-3/4 in. (146 mm) pulley and longer belt.
V6 with <u>metal</u> 5-3/4 in. (146 mm) P/S pulley.	807901A 6 (Note 1)	(B)-Order this Belt Kit if a Closed Cooling Kit is going to be installed on the engine.
V8 305/350 cid with <u>metal</u> 5-3/4 in. (146 mm) P/S pulley.	807901A 5 (Note 1)	(C)-Order this Belt Kit if a Closed Cooling Kit is going to be installed on the engine.
V6 and V8 305/350 cid with <u>metal</u> 5-3/4 in. (146 mm) P/S pulley.	807901A 4	(D)-Order this Belt Kit if P/S pump and hoses are going to be removed on second engine in dual engine boat.

NOTE 1: Closed Cooling heat exchanger may have to be moved to starboard slightly to clear new, larger pulley.