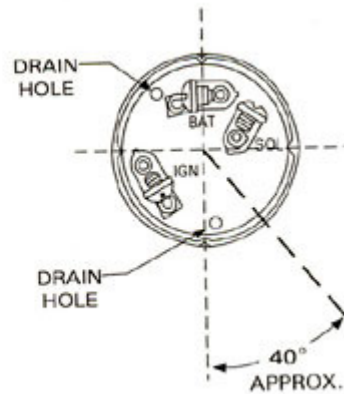
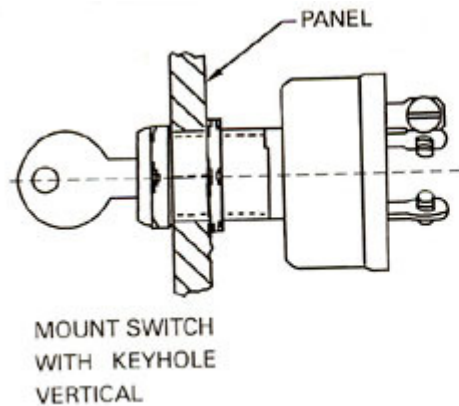


TWO DRAIN HOLES ARE PROVIDED AS SHOWN. ONE OR THE OTHER MUST BE MOUNTED WITHIN THE AREA SHOWN BY THE DOTTED LINES.

Form No. 9500078



TWO DRAIN HOLES ARE PROVIDED AS SHOWN. ONE OR THE OTHER MUST BE MOUNTED WITHIN THE AREA SHOWN BY THE DOTTED LINES.

Form No. 9500078