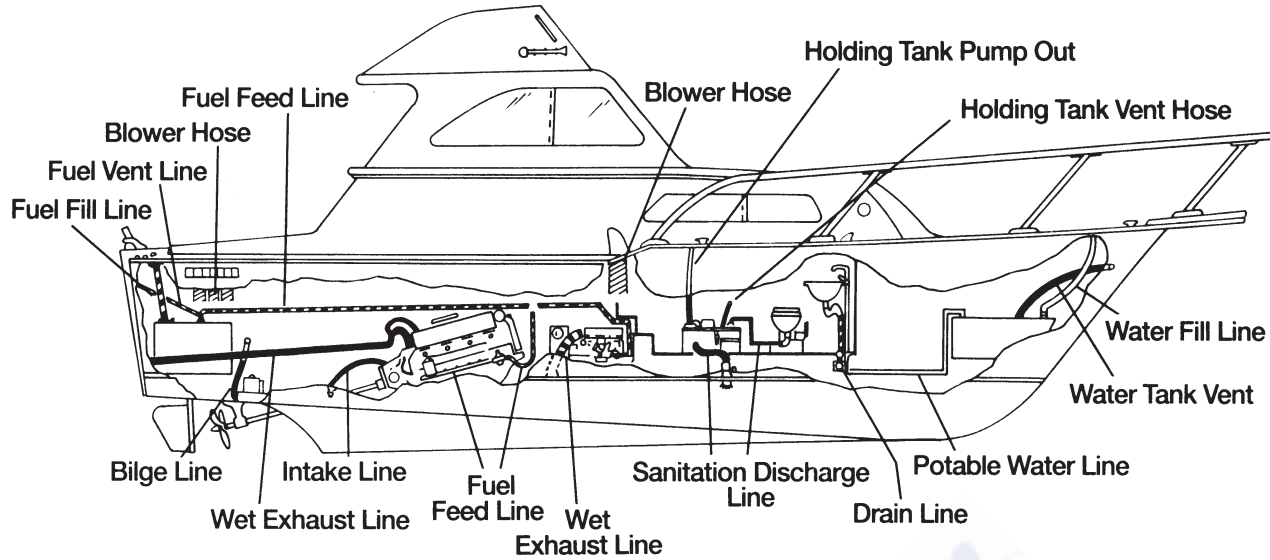


SHIELDS HOSE

Product Application Guide



PRODUCT APPLICATION GUIDE KEY

- EX** — Designed to give excellent service
- G** — Designed to give good service in normal applications
- C** — Product can give good service with proper installation, may not be suitable in all applications.
- X** — Not recommended
- NA** — Not available in size range
- 1** — Can easily be bent into tight radius
- 2** — Can be bent into gradual radius
- 3** — May kink in applications requiring bend radius

SERIES NO.	NAME	PG. NO.	SIZE RANGE	APPLICATION							
				Non-Pressurized Supply	Pressurized Supply		Water Tank Fill	Drain Lines Below Water Line	Drain Lines To Sump or Above Water Line	Water Tank Vent	Flexibility
FRESH WATER SYSTEM/POTABLE											
Series 168	Heavy Duty Reinforced PVC Tubing	55	1/4" - 1 1/2"	EX	EX	EX	G	EX	EX	EX	2
Series 162	All Clear Reinforced PVC — Red Tracer	55	1/4" - 1 1/2"	EX	EX	EX	G	G	G	G	2
Series 164	Clear White Reinforced PVC — Blue Tracer	55	3/8" - 3/4"	EX	G	EX	N/A	G	G	G	3
Series 150	PVC Tubing — Clear	54	3/16" - 1 1/2"	G	X	X	C	X	G	G	3
Series 148	Shields Vac Extra Heavy Duty	53	5/8" - 1 1/2"	N/A	X	X	EX	EX	EX	EX	2
Series 145	Shields Vac with FDA Liner	52	1 1/4" - 1 1/2"	N/A	N/A	N/A	EX	C	EX	N/A	1
Series 149	Shields Live Well Hose	52	5/8" - 1 1/2"	X	X	X	X	EX	EX	C	2
Series 141	Shields Multiflex	51	5/8" - 1 1/2"	C	X	X	EX	X	EX	N/A	1

SERIES NO.	NAME	PG. NO.	SIZE RANGE	APPLICATION					Flexibility
				Toilet to Holding Tank	Holding Tank Pump Out	Holding Tank to Overboard Discharge	Toilet Water Inlet	Holding Tank Vent	
SANITATION SYSTEM									
Series 105	Poly X Sanitation Hose	54	1" - 1 1/2"	EX	EX	EX	N/A	N/A	1
Series 250	Shieldsflex II	58	1/2" - 2 3/8"	EX	EX	EX	EX	EX	1
Series 101	Shields Sanitation Hose	53	1" - 1 1/2"	EX	EX	EX	N/A	N/A	1
Series 144	Super PVC Sanitation	53	1" - 1 1/2"	EX	EX	EX	N/A	N/A	2
Series 148	Shields Vac Extra Heavy Duty	55	5/8" - 1 1/2"	G/EX	EX	EX	EX	EX	2
Series 146	Shields Vac Extra Heavy Duty/ Commercial Grade	52	3/4" - 3"	G	EX	G	EX	EX	2
Series 168	Heavy Duty Reinforced PVC/White Tracer	55	1/4" - 1 1/2"	X	X	X	EX	X	2
Series 162	All Clear Reinforced PVC — Red Tracer	55	3/8" - 1 15/16"	X	X	X	EX	X	2
Series 149	Shields Live Well	52	5/8" - 1 1/2"	G	G	G	EX	EX	2